











































































































































































































Solitaire Ring-
Diamonds-
1.40mm, 1pis.
1.91mm, 1pis.
1.82mm, 2pis.
1.90mm, 4pis.
1.80mm, 3pis.
1.00mm, 108pis.
1.10mm, 16pis.
1.20mm, 20pis.
1.30mm, 28pis.
0.90mm, 20pis.

Emerald-
4.48/4.48mm, 1pis.

Diamonds wt- 1.14 Cts.
Emerald wt- 0.47 Cts.
Gold wt- 6.160 Gms.

Pair Rings-
Diamonds-
1.20mm, 25pis.
1.00mm, 20pis.

Diamonds wt- 0.24 Cts.
Gold wt- 4.540 Gms.



Solitaire Ring-
Diamonds-
1.41mm, 4pis.
1.20mm, 34pis.
1.00mm, 71pis.
1.40mm, 3pis.
1.10mm, 8pis.
0.90mm, 4pis.
1.18mm, 2pis.
4.18mm, 1pis.

Diamonds wt- 0.83 Cts.
Gold wt- 4.460 Gms.

Pair Rings-
Diamonds-
1.76mm, 1pis.
1.00mm, 24pis.
1.20mm, 27pis.

Diamonds wt- 0.29 Cts.
Gold wt- 4.060 Gms.



Solitaire Ring-
Diamonds-
1.00mm, 32pis.
1.10mm, 54pis.
0.90mm, 16pis.
1.30mm, 8pis.
1.20mm, 4pis.
1.40mm, 1pis.

Princess-
4.09/4.09mm, 1pis.

Diamonds wt- 0.53 Cts.
Princess wt- 0.29 Cts.
Gold wt- 4.000 Gms.

Pair Rings-
Diamonds-
1.15mm, 9pis.
1.00mm, 16pis.
1.20mm, 22pis.
1.10mm, 4pis.

Diamonds wt- 0.28 Cts.
Gold wt- 4.770 Gms.



Solitaire Ring-
Diamonds-
1.10mm, 12pis.
1.20mm, 6pis.
1.30mm, 40pis.
1.40mm, 5pis.
1.00mm, 40pis.
0.90mm, 14pis.

Emerald-
4.48/4.48mm, 1pis.

Diamonds wt- 0.67 Cts.
Emerald wt- 0.47 Cts.
Gold wt- 4.350 Gms.

Pair Ring-
1.47mm, 7pis.
1.10mm, 27pis.
1.00mm, 2pis.

Diamonds wt- 0.23 Cts.
Gold wt- 4.700 Gms.



Solitaire Ring-
Diamonds-
1.73mm, 2pis.
1.20mm, 20pis.
1.40mm, 4pis.
1.30mm, 5pis.
1.10mm, 20pis.
1.00mm, 8pis.

Emerald-
4.69/6.69mm, 1pis.

Diamonds wt- 0.38 Cts.
Emerald wt- 0.42 Cts.
Gold wt- 3.660 Gms.

Pair Rings-
Diamonds-
1.20mm, 25pis.
1.10mm, 13pis.

Diamonds wt- 0.23 Cts.
Gold wt- 4.400 Gms.



Solitaire Ring-

Diamonds-
1.30mm, 14pis.
1.40mm, 13pis.
1.50mm, 6pis.
1.20mm, 14pis.
1.10mm, 30pis.
0.90mm, 4pis.
1.80mm, 4pis.

Marquise-
5.47/3.18mm, 1pis.

Diamonds wt- 0.71 Cts.
Marquise wt- 0.17 Cts.
Gold wt- 3.700 Gms.

Pair Rings-
Diamonds-
0.90mm, 4pis.
1.00mm, 13pis.
1.10mm, 12pis.
1.55mm, 1pis.
1.47mm, 8pis.

Diamonds wt- 0.23 Cts.
Gold wt- 3.820 Gms.



Solitaire Ring-
Diamonds-
1.73mm, 2pis.
3.71mm, 1pis.
1.00mm, 52pis.
0.90mm, 52pis.
1.10mm, 8pis.
1.20mm, 8pis.
1.30mm, 12pis.
1.50mm, 4pis.
1.40mm, 5pis.

Diamonds wt- 1.00 Cts.
Gold wt- 4.860 Gms.

Pair Rings-
Diamonds-
1.20mm, 18pis.
1.10mm, 8pis.
1.30mm, 17pis.

Diamonds wt- 0.30 Cts.
Gold wt- 4.410 Gms.



Solitaire Ring-
Diamonds-
1.20mm, 18pis.
1.30mm, 4pis.
1.10mm, 20pis.
0.90mm, 24pis.
1.00mm, 56pis.
1.60mm, 2pis.
1.40mm, 1pis.

Oval-
5.96/3.97mm, 1pis.

Diamonds wt- 0.56 Cts.
Oval wt- 0.38 Cts.
Gold wt- 4.120 Gms.

Pair Rings-
Diamonds-
1.30mm, 4pis.
1.10mm, 12pis.
1.20mm, 16pis.
0.90mm, 10pis.
1.00mm, 2pis.

Diamonds wt- 0.23 Cts.
Gold wt- 4.400 Gms.



Solitaire Ring-
Diamonds-
4.30mm, 1pis.
1.20mm, 8pis.
1.00mm, 22pis.
1.40mm, 19pis.
1.30mm, 10pis.
1.60mm, 6pis.
1.10mm, 6pis.

Diamonds wt- 0.83 Cts.
Gold wt- 3.460 Gms.

Pair Rings-
Diamonds-
1.20mm, 27pis.
1.31mm, 18pis.

Diamonds wt- 0.35 Cts.
Gold wt- 4.300 Gms.



Solitaire Ring-
Diamonds-
1.20mm, 80pis.
1.50mm, 4pis.
4.30mm, 1pis.
1.10mm, 8pis.
1.60mm, 2pis.
1.25mm, 2pis.
1.00mm, 8pis.
1.50mm, 1pis.

Diamonds wt- 1.00 Cts.
Gold wt- 4.560 Gms.

Pair Rings-
Diamonds-
1.13mm, 24pis.
1.47mm, 13pis.
1.10mm, 6pis.
1.20mm, 27pis.

Diamonds wt- 0.50 Cts.
Gold wt- 4.720 Gms.



Solitaire Ring-
Diamonds-
1.00mm, 52pis.
1.30mm, 2pis.
0.90mm, 12pis.
1.10mm, 10pis.
1.50mm, 1pis.

Princess-
4.59/4.59mm, 1pis.

Diamonds wt- 0.31 Cts.
Princess wt- 0.53 Cts.
Gold wt- 4.800 Gms.

Pair Rings-
Diamonds-
1.50mm, 6pis.
1.60mm, 1pis.
1.00mm, 8pis.
1.20mm, 20pis.
1.30mm, 6pis.

Diamonds wt- 0.30 Cts.
Gold wt- 4.500 Gms.



Solitaire Ring-
Diamonds-
4.30mm, 1pis.
0.90mm, 62pis.
1.00mm, 8pis.
1.10mm, 18pis.
1.30mm, 4pis.
1.20mm, 4pis.
1.40mm, 1pis.

Diamonds wt- 0.65 Cts.
Gold wt- 3.160 Gms.

Pair Rings-
Diamonds-
1.20mm, 25pis.
1.50mm, 11pis.

Diamonds wt- 0.29 Cts.
Gold wt- 5.000 Gms.



Diamonds-
1.30mm, 16 pis
1.40mm, 10 pis
1.50mm, 4 pis

Diamonds Wt-0.28 Cts.
Gold Wt- 3.30 Gms.



Diamonds-
1.30mm, 38 pis
1.20mm, 6 pis

Diamonds Wt-0.35 Cts.
Gold Wt-3.600 Gms.



Diamonds-
1.30mm, 16 pis
1.10mm, 2 pis
1.40mm, 13 pis
1.20mm, 2 pis

Diamonds Wt-0.29 Cts.
Gold Wt-3.100 Gms.



Diamonds-
1.50mm, 1 pis
1.40mm, 14 pis

Diamonds Wt-0.16 Cts.
Gold Wt-2.700 Gms.



Diamonds-
1.50mm, 6 pis
1.30mm, 38 pis

Diamonds Wt-0.39 Cts.
Gold Wt-3.200 Gms.



Diamonds-
1.50mm, 3 pis
1.30mm, 32 pis

Diamonds Wt-0.30 Cts.
Gold Wt-3.240 Gms.



Diamonds-
1.30mm, 22 pis
1.50mm, 1 pis
1.40mm, 6 pis

Diamonds Wt-0.26 Cts.
Gold Wt-2.700 Gms.



Diamonds-
1.40mm, 24 pis
1.30mm, 8 pis

Diamonds Wt-0.31 Cts.
Gold Wt-3.800 Gms.



Diamonds-
1.30mm, 42 pis
1.50mm, 1 pis
1.40mm, 6 pis

Diamonds Wt-0.42 Cts.
Gold Wt-4.350 Gms.



Diamonds-
1.30mm, 32 pis
1.50mm, 1 pis

Diamonds Wt-0.28 Cts.
Gold Wt-3.290 Gms.



Diamonds-
1.30mm, 45 pis
1.40mm, 1 pis
1.20mm, 3 pis

Diamonds Wt-0.40 Cts.
Gold Wt-2.700 Gms.



Diamonds-
1.40mm, 6 pis
1.30mm, 26 pis
1.20mm, 2 pis

Diamonds Wt-0.29 Cts.
Gold Wt-3.280 Gms.



Diamonds-
1.40mm, 1 pis
1.30mm, 26 pis
2.00mm, 1 pis

Diamonds Wt-0.25 Cts.
Gold Wt-2.430 Gms.



Diamonds-
1.30mm, 24 pis

Diamonds Wt-0.20 Cts.
Gold Wt-3.400 Gms.



Diamonds-
1.50mm, 6 pis
1.60mm, 1 pis
1.20mm, 1 pis
1.30mm, 27 pis
1.40mm, 12 pis

Diamonds Wt-0.44 Cts.
Gold Wt-3.190 Gms.



Diamonds-
1.40mm, 8 pis
1.30mm, 48 pis
1.50mm, 1 pis

Diamonds Wt- 0.49 Cts.
Gold Wt- 3.360 Gms.



Diamonds-
1.30mm, 19 pis
1.20mm, 2 pis

Diamonds Wt-0.17 Cts.
Gold Wt-2.380 Gms.



Diamonds-
1.50mm, 1 pis
1.40mm, 7 pis
1.20mm, 6 pis
1.30mm, 18 pis

Diamonds Wt-0.27 Cts.
Gold Wt-2.700 Gms.



Diamonds-
1.30mm, 17 pis

Diamonds Wt-0.14 Cts.
Gold Wt-2.140 Gms.



Diamonds-
1.30mm, 26 pis
1.20mm, 10 pis
1.40mm, 3 pis

Diamonds Wt-0.31 Cts.
Gold Wt-3.00 Gms.



Diamonds-

1.70mm, 2 pis

1.40mm, 6 pis

1.30mm, 22 pis

1.50mm, 4 pis

1.20mm, 4 pis

Diamonds Wt-0.36 Cts.

Gold Wt-3.600 Gms.



Diamonds-
1.30mm, 44 pis
1.40mm, 6 pis
1.50mm, 2 pis

Diamonds Wt-0.45 Cts.
Gold Wt-3.600 Gms.



Diamonds-
1.60mm, 3 pis
1.20mm, 3 pis
1.30mm, 33 pis

Diamonds Wt-0.34 Cts.
Gold Wt-3.800 Gms.



Diamonds-
1.20mm, 6 pis
1.30mm, 8 pis
1.40mm, 15 pis

Diamonds Wt-0.26 Cts.
Gold Wt-2.250 Gms.



Diamonds-
1.40mm, 2 pis
1.50mm, 14 pis

Diamonds Wt-0.20 Cts.
Gold Wt-1.800 Gms.



Diamonds-
1.30mm, 7 pis
1.40mm, 5 pis
1.50mm, 12 pis

Diamonds Wt-0.26 Cts.
Gold Wt-2.600 Gms.



Diamonds-
1.60mm, 1 pis
1.40mm, 3 pis
1.30mm, 11 pis

Diamonds Wt-0.14 Cts.
Gold Wt-2.300 Gms.



Diamonds-
1.40mm, 10 pis
1.30mm, 20 pis

Diamonds Wt-0.27 Cts.
Gold Wt-2.830 Gms.



Diamonds-
1.30mm, 2 pis
1.40mm, 20 pis
1.50mm, 1 pis

Diamonds Wt-0.23 Cts.
Gold Wt-2.700 Gms.



Diamonds-
1.40mm, 9 pis
1.50mm, 7 pis
1.20mm, 1 pis
1.30mm, 6 pis

Diamonds Wt-0.24 Cts.
Gold Wt-2.300 Gms.



Diamonds-
1.40mm, 13 pis
1.30mm, 27 pis

Diamonds Wt-0.36 Cts.
Gold Wt-3.200 Gms.



Diamonds-
1.70mm, 6 pis
2.00mm, 1 pis
1.50mm, 3 pis
1.30mm, 10 pis
1.20mm, 4 pis

Diamonds Wt-0.28 Cts.
Gold Wt-2.340 Gms.



Diamonds-
1.50mm, 6 pis
1.60mm, 1 pis
1.30mm, 20 pis

Diamonds Wt-0.26 Cts.
Gold Wt-2.330 Gms.



Diamonds-
1.50mm, 3 pis
1.30mm, 6 pis

Diamonds Wt-0.09 Cts.
Gold Wt-2.500 Gms.



Diamonds-
1.50mm, 12 pis

Diamonds Wt-0.15 Cts.
Gold Wt-2.260 Gms.



Diamonds-
1.40mm, 9 pis
1.50mm, 6 pis
1.30mm, 8 pis
1.20mm, 12 pis

Diamonds Wt-0.31 Cts.
Gold Wt-3.600 Gms.



Diamonds-
1.40mm,36 pis
1.30mm, 2 pis

Diamonds Wt-0.39 Cts.
Gold Wt-3.00 Gms.



Diamonds-
1.40mm, 21 pis
1.50mm, 10 pis

Diamonds Wt-0.34 Cts.
Gold Wt-3.090 Gms.



Diamonds-
1.30mm, 16 pis
1.40mm, 8 pis
1.60mm, 2 pis

Diamonds Wt-0.27 Cts.
Gold Wt-3.300 Gms.



Diamonds-
1.40mm, 34 pis
1.30mm, 8 pis

Diamonds Wt-0.42 Cts.
Gold Wt-3.190 Gms.



Diamonds-
1.40mm, 2 pis
1.50mm, 6 pis
1.30mm, 11 pis
1.60mm, 9 pis

Diamonds Wt-0.33 Cts.
Gold Wt-3.300 Gms.



Diamonds-
1.20mm, 3 pis
1.30mm, 12 pis
1.40mm, 18 pis

Diamonds Wt-0.30 Cts.
Gold Wt-3.030 Gms.



Diamonds-
1.50mm, 10 pis
1.40mm, 10pis
1.30mm, 3 pis

Diamonds Wt-0.25 Cts.
Gold Wt-2.530 Gms.



Diamonds-
1.60mm, 7 pis

Diamonds Wt-0.11 Cts.
Gold Wt-2.00 Gms.



Diamonds-
1.30mm, 12 pis
1.40mm, 5 pis
1.50mm, 2 pis

Diamonds Wt-0.18 Cts.
Gold Wt-2.360 Gms.



Diamonds-
1.40mm, 4 pis
1.50mm, 2 pis
1.30mm, 4 pis
1.20mm, 2 pis

Diamonds Wt-0.11 Cts.
Gold Wt-2.790 Gms.



Diamonds-
1.60mm, 7 pis
1.30mm, 13 pis
1.20mm, 3 pis
1.40mm, 1 pis

Diamonds Wt-0.60 Cts.
Gold Wt-3.00 Gms.



Diamonds-
1.30mm, 56 pis
1.40mm, 12 pis
1.50mm, 1 pis

Diamonds Wt-0.60 Cts.
Gold Wt-4.820 Gms.



Diamonds-
1.30mm, 22 pis
1.20mm, 2 pis
1.40mm, 14 pis

Diamonds Wt-0.34 Cts.
Gold Wt-3.380 Gms.



Diamonds-
1.30mm, 19 pis
1.40mm, 14 pis
1.60mm, 4 pis

Diamonds Wt-0.36 Cts.
Gold Wt-3.210 Gms.



Diamonds-
1.60mm, 8 pis
1.40mm, 9 pis
1.50mm, 1 pis

Diamonds Wt-0.20 Cts.
Gold Wt-2.690 Gms.



Diamonds-
1.40mm, 9 pis
1.50mm, 4 pis
1.30mm, 22 pis
1.20mm, 4 pis

Diamonds Wt-0.35 Cts.
Gold Wt-2.800 Gms.



Diamonds-
1.40mm, 12 pis
1.50mm, 14 pis
1.30mm, 4 pis
1.20mm, 2 pis

Diamonds Wt-0.35 Cts.
Gold Wt-2.900 Gms.



Diamonds-
1.40mm, 17 pis
1.30mm, 9 pis
1.20mm, 1 pis

Diamonds Wt-0.26 Cts.
Gold Wt-2.270 Gms.



Diamonds-
1.70mm, 12 pis
2.00mm, 2 pis
1.20mm, 2 pis
1.30mm, 4 pis
1.40mm, 3 pis
1.50mm, 4 pis

Diamonds Wt-0.41 Cts.
Gold Wt-2.840 Gms.

Diamonds-
1.40mm, 17 pis
1.30mm, 9 pis
1.20mm, 3 pis
1.50mm, 10 pis

Diamonds Wt-0.39 Cts.
Gold Wt-2.640 Gms.





Diamonds-
1.40mm, 25 pis
1.30mm, 7 pis
1.50mm, 1 pis

Diamonds Wt-0.33 Cts.
Gold Wt-2.560 Gms.



Diamonds-
1.30mm, 36 pis
1.40mm, 2 pis

Diamonds Wt-0.32 Cts.
Gold Wt-2.880 Gms.



Diamonds-
1.50mm, 1 pis
1.30mm, 18 pis

Diamonds Wt- 0.16 Cts.
Gold Wt- 2.480 Gms.



Diamonds-
1.40mm, 4 pis
1.30mm, 23 pis

Diamonds Wt-0.23 Cts.
Gold Wt-2.730 Gms.



Diamonds-
2.00mm, 1 pis
1.70mm, 6 pis
1.40mm, 23 pis
1.30mm, 6 pis

Diamonds Wt-0.26 Cts.
Gold Wt-2.290 Gms.



Diamonds-
1.50mm, 1 pis
1.40mm, 12 pis
1.30mm, 15 pis

Diamonds Wt- 0.26 Cts.
Gold Wt- 2.490 Gms.



Diamonds-
1.30mm, 8 pis
1.20mm, 2 pis
1.40mm, 11 pis

Diamonds Wt-0.19 Cts.
Gold Wt-2.350 Gms.



Diamonds-
1.60mm, 10 pis
1.30mm, 17 pis
1.20mm, 1 pis

Diamonds Wt- 0.45 Cts.
Gold Wt- 2.680 Gms.



Diamonds-
1.40mm, 13 pis
1.30mm, 9 pis
1.20mm, 1 pis
1.60mm, 4 pis
1.50mm, 4 pis

Diamonds Wt-0.33 Cts.
Gold Wt-2.220 Gms.



Diamonds-
1.50mm, 3 pis
1.20mm, 3pis
1.40mm, 5 pis
1.30mm, 5 pis
1.10mm, 1 pis

Diamonds Wt-0.15 Cts.
Gold Wt- 2.00 Gms.



Diamonds-
1.20mm, 10 pis
1.30mm, 38 pis
1.40mm, 6 pis

Diamonds Wt-0.44 Cts.
Gold Wt-3.100 Gms.



Diamonds-
1.20mm, 2 pis
1.50mm, 4 pis
1.30mm, 12 pis

Diamonds Wt-0.16 Cts.
Gold Wt-2.390 Gms.



Diamonds-
2.00mm, 2 pis
1.50mm, 1 pis
1.30mm, 6 pis
1.40mm, 24 pis

Diamonds Wt-0.41 Cts.
Gold Wt-2.80 Gms.



Diamonds-
2.50mm, 1 pis
1.30mm, 10 pis
1.40mm, 20 pis

Diamonds Wt-0.35 Cts.
Gold Wt-3.00 Gms.



Diamonds-
1.50mm, 16 pis
1.60mm, 2 pis

Diamonds Wt-0.23 Cts.
Gold Wt-2.560 Gms.



Diamonds-
1.30mm, 6 pis
1.50mm, 21 pis
1.40mm, 5 pis

Diamonds Wt-0.37 Cts.
Gold Wt-3.850 Gms.



Diamonds-
2.00mm, 1 pis
1.40mm, 17 pis
1.30mm, 18 pis
1.20mm, 1 pis

Diamonds Wt-0.36 Cts.
Gold Wt-3.100 Gms.



Diamonds-
1.40mm, 2 pis
1.30mm, 24 pis
1.20mm, 4 pis

Diamonds Wt-0.24 Cts.
Gold Wt-3.00 Gms.



Diamonds-
1.40mm, 8 pis
1.50mm, 4 pis
1.20mm, 4 pis
1.30mm, 8 pis
1.60mm, 4 pis

Diamonds Wt-0.29 Cts.
Gold Wt-2.600 Gms.



Diamonds-
1.40mm, 11 pis
1.30mm, 8 pis

Diamonds Wt-0.18 Cts.
Gold Wt-2.310 Gms.



Diamonds-
1.50mm, 2 pis
1.30mm, 28 pis

Diamonds Wt-0.26 Cts.
Gold Wt-2.470 Gms.



Diamonds-
1.40mm, 40 pis

Diamonds Wt-0.41 Cts.
Gold Wt-3.00 Gms.



Diamonds-
1.50mm, 6 pis
1.40mm, 12 pis

Diamonds Wt-0.20 Cts.
Gold Wt-2.270 Gms.



Diamonds-
1.40mm, 28 pis
1.30mm, 4 pis
1.50mm, 4 pis

Diamonds Wt-0.37 Cts.
Gold Wt-3.800 Gms.



Diamonds-
1.30mm, 20 pis
1.40mm, 20 pis
1.50mm, 4 pis

Diamonds Wt-0.42 Cts.
Gold Wt-3.550 Gms.



Diamonds-
1.20mm, 1 pis
1.30mm, 24 pis
1.40mm, 11 pis
1.50mm, 4 pis
1.60mm, 4 pis

Diamonds Wt-0.43 Cts.
Gold Wt-3.180 Gms.



Diamonds-
1.40mm, 33 pis
1.30mm, 5 pis

Diamonds Wt-0.38 Cts.
Gold Wt-2.850 Gms.



Diamonds-
1.30mm, 18 pis
1.40mm, 5 pis

Diamonds Wt-0.20 Cts.
Gold Wt-2.390 Gms.



Diamonds-
1.30mm, 42 pis

Diamonds Wt-0.35 Cts.
Gold Wt-3.100 Gms.



Diamonds-
1.50mm, 13 pis
1.30mm, 16 pis
1.40mm, 7 pis

Diamonds Wt-0.37 Cts.
Gold Wt-2.850 Gms.



Diamonds-
1.50mm, 1 pis
1.40mm, 11 pis
1.30mm, 19 pis

Diamonds Wt-0.28 Cts.
Gold Wt-2.690 Gms.



Diamonds-
1.40mm, 1 pis
1.30mm, 26 pis
1.20mm, 8 pis

Diamonds Wt-0.28 Cts.
Gold Wt- 2.850 Gms.



Diamonds-
1.40mm, 1 pis
1.30mm, 20 pis
1.20mm, 2 pis
1.10mm, 4 pis

Diamonds Wt-0.30 Cts.
Gold Wt-2.580 Gms.



Diamonds-
1.60mm, 4 pis
1.40mm, 18 pis
1.30mm, 5 pis
1.5 0mm, 4 pis

Diamonds Wt-0.34 Cts.
Gold Wt-2.850 Gms.



Diamonds-
1.60mm, 2 pis
1.30mm, 28 pis
1.20mm, 8 pis
1.10mm, 2 pis

Diamonds Wt-0.32 Cts.
Gold Wt-3.140 Gms.



Diamonds-
1.30mm, 23 pis
1.20mm, 2 pis

Diamonds Wt-0.20 Cts.
Gold Wt-2.580 Gms.



Diamonds-
1.60mm, 9 pis
1.30mm, 18 pis
1.20mm, 2 pis

Diamonds Wt-0.30 Cts.
Gold Wt-2.900 Gms.



Diamonds-
1.50mm, 1 pis
1.40mm, 22 pis
1.30mm, 4 pis

Diamonds Wt-0.27 Cts.
Gold Wt-2.800 Gms.



Diamonds-
1.30mm, 10 pis
1.40mm, 10 pis
1.20mm, 2 pis

Diamonds Wt-0.20 Cts.
Gold Wt-3.300 Gms.



Diamonds-
1.40mm, 10 pis
1.30mm, 12 pis

Diamonds Wt-0.20 Cts.
Gold Wt-2.330 Gms.



Diamonds-
1.40mm, 1 pis
1.30mm, 37 pis

Diamonds Wt-0.32 Cts.
Gold Wt-2.860 Gms.



Diamonds-
1.40mm, 10 pis
1.30mm, 9 pis
1.50mm, 1 pis

Diamonds Wt-0.19 Cts.
Gold Wt-2.210 Gms.



Diamonds-
1.50mm, 15 pis
1.30mm, 4 pis
1.60mm, 2 pis
1.40mm, 4 pis

Diamonds Wt-0.29 Cts.
Gold Wt-2.870 Gms.



Diamonds-
1.40mm, 23 pis
1.20mm, 2 pis
1.30mm, 2 pis

Diamonds Wt-0.27 Cts.
Gold Wt-2.630 Gms.



Diamonds-
1.40mm, 1 pis
1.30mm, 22 pis

Diamonds Wt-0.19 Cts.
Gold Wt-2.710 Gms.



Diamonds-
1.50mm, 8 pis
1.60mm, 2 pis
1.30mm, 21 pis

Diamonds Wt-0.30 Cts.
Gold Wt-3.140 Gms.



Diamonds-
1.80mm, 1 pis
1.20mm, 7 pis
1.30mm, 7 pis
1.40mm, 8 pis

Diamonds Wt-0.21 Cts.
Gold Wt-2.320 Gms.



Diamonds-
1.40mm, 14 pis
1.30mm, 15 pis
1.80mm, 1 pis

Diamonds Wt-0.29 Cts.
Gold Wt-3.00 Gms.



Diamonds-
1.30mm, 26 pis
1.50mm, 2 pis
1.20mm, 2 pis

Diamonds Wt- 0.25 Cts.
Gold Wt- 2.640 Gms.



Diamonds-
1.30mm, 18 pis
1.50mm, 2 pis
1.40mm, 1 pis
1.20mm, 4 pis

Diamonds Wt-0.21 Cts.
Gold Wt-2.380 Gms.



Diamonds-
1.40mm, 8 pis
1.20mm, 4 pis
1.30mm, 18 pis

Diamonds Wt-0.26 Cts.
Gold Wt-2.850 Gms.



Diamonds-
1.40mm, 14 pis
1.50mm, 1 pis

Diamonds Wt-0.16 Cts.
Gold Wt-2.100 Gms.



Diamonds-
1.80mm, 8 pis
1.30mm, 10 pis
1.20mm, 4 pis

Diamonds Wt-0.28 Cts.
Gold Wt-3.200 Gms.



Diamonds-
2.50mm, 1 pis
1.30mm, 1 pis
1.40mm, 4 pis

Diamonds Wt-0.34 Cts.
Gold Wt-3.480 Gms.



Diamonds-
1.50mm, 1 pis
1.40mm, 2 pis
1.30mm, 28 pis

Diamonds Wt-0.26 Cts.
Gold Wt-2.900 Gms.



Diamonds-
1.60mm, 1 pis
1.30mm, 7 pis
1.40mm, 10 pis

Diamonds Wt-0.20 Cts.
Gold Wt-2.680 Gms.



Diamonds-
1.30mm, 11 pis
1.20mm, 10 pis
1.40mm, 4 pis

Diamonds Wt-0.20 Cts.
Gold Wt-2.470 Gms.



Diamonds-

1.20mm, 7 pis

1.80mm, 1 pis

1.30mm, 14 pis

1.40mm, 2 pis

Diamonds Wt-0.20 Cts.

Gold Wt-2.700 Gms.



Diamonds-
1.30mm, 30 pis
1.20mm, 8 pis
1.40mm, 6 pis

Diamonds Wt- 0.36 Cts.
Gold Wt- 3.370 Gms.



Diamonds-
1.30mm, 28 pis
1.40mm, 7 pis
1.70mm, 3 pis

Diamonds Wt-0.32 Cts.
Gold Wt-3.600 Gms.



Diamonds-
1.60mm, 21 pis

Diamonds Wt-0.32 Cts.
Gold Wt-3.00 Gms.



Diamonds-
1.50mm, 5 pis
1.30mm, 28 pis
1.40mm, 4 pis
1.20mm, 6 pis

Diamonds Wt-0.37 Cts.
Gold Wt-3.090 Gms.



Diamonds-
1.0mm, 15 pis
1.40mm, 6 pis

Diamonds Wt-0.19 Cts.
Gold Wt-2.700 Gms.



Diamonds-
1.60mm, 2 pis
1.10mm, 8 pis
1.20mm, 9 pis
1.30mm, 27 pis

Diamonds Wt-0.25 Cts.
Gold Wt-3.370 Gms.



Diamonds-
1.30mm, 94 pis
1.40mm, 62 pis
1.50mm, 70 pis
1.60mm, 8 pis

Diamonds Wt-2.420 Cts.
Gold Wt-9.400 Gms.



Diamonds-
1.20mm, 12 pis
1.30mm, 87 pis
1.40mm, 37 pis
1.50mm, 4 pis
1.10mm, 2 pis

Diamonds Wt-1.24 Cts.
Gold Wt-8.200 Gms.



Diamonds-
1.50mm, 12 pis
1.60mm, 11 pis
1.40mm, 25 pis
1.30mm, 24 pis
1.20mm, 5 pis

Diamonds Wt-0.81 Cts.
Gold Wt-7.00 Gms.



Diamonds-
1.40mm, 1 pis
1.20mm, 12 pis
1.30mm, 84 pis
1.50mm, 2 pis
1.60mm, 1 pis

Diamonds Wt-0.82 Cts.
Gold Wt-7.100 Gms.



Diamonds-
1.80mm, 1 pis
1.30mm, 99 pis
1.20mm, 14 pis
1.40mm, 16 pis
1.50mm, 3 pis

Diamonds Wt-1.13 Cts.
Gold Wt-7.450 Gms.



Diamonds-
1.30mm, 59 pis
1.80mm, 3 pis
1.60mm, 7 pis
1.40mm, 26 pis
1.20mm, 24 pis

Diamonds Wt-1.08 Cts.
Gold Wt-7.050 Gms.



Diamonds-
1.30mm, 68 pis
1.20mm, 12 pis

Diamonds Wt-0.64 Cts.
Gold Wt-6.300 Gms.



Diamonds-
1.20mm, 38 pis
1.40mm, 16 pis
1.30mm, 82 pis

Diamonds Wt-1.09 Cts.
Gold Wt-7.500 Gms.



Diamonds-
1.20mm, 29 pis
1.30mm, 77 pis
1.40mm, 2 pis
1.60mm, 28 pis

Diamonds Wt-1.28 Cts.
Gold Wt-6.500 Gms.



Diamonds-
1.50mm, 11 pis
1.40mm, 13 pis
1.30mm, 80 pis
1.20mm, 9 pis

Diamonds Wt-0.99 Cts.
Gold Wt-6.700 Gms.



Diamonds-
1.30mm, 41 pis
1.20mm, 11 pis
1.40mm, 11 pis

Diamonds Wt-0.52 Cts.
Gold Wt-5.900 Gms.



Diamonds-
1.30mm, 41 pis
1.20mm, 10 pis
1.40mm, 5 pis

Diamonds Wt- 0.45 Cts.
Gold Wt- 4.500 Gms.



Diamonds-
1.30mm, 54 pis
1.50mm, 4 pis
1.40mm, 20 pis
1.60mm, 11 pis

Diamonds Wt-0.87 Cts.
Gold Wt-5.400 Gms.



Diamonds-
1.30mm, 130 pis
1.20mm, 20 pis
1.40mm, 36 pis
1.50mm, 2 pis

Diamonds Wt-1.60 Cts.
Gold Wt-10.250 Gms.



Diamonds-
1.40mm, 7 pis
1.30mm, 10 pis
1.20mm, 6 pis
1.50mm, 6 pis
1.10mm, 2 pis

Diamonds Wt- 0.28 Cts.
Gold Wt- 7.100 Gms.



Diamonds-
1.40mm, 20 pis
1.20mm, 6 pis
1.30mm, 40 pis

Diamonds Wt-0.57 Cts.
Gold Wt-4.400 Gms.



Diamonds-
1.40mm, 20 pis
1.30mm, 42 pis

Diamonds Wt-0.53 Cts.
Gold Wt-5.300 Gms.



Diamonds-
1.30mm, 52 pis
1.40mm, 10 pis
1.20mm, 2 pis

Diamonds Wt-0.54 Cts.
Gold Wt-6.300 Gms.



Diamonds-
1.30mm, 51 pis
1.40mm, 36 pis

Diamonds Wt- 0.79 Cts.
Gold Wt- 7.200 Gms.



Diamonds-
1.20mm, 45 pis
1.30mm, 233 pis
1.40mm, 6 pis

Diamonds Wt2.270- Cts.
Gold Wt-7.00 Gms.



Diamonds-
1.30mm, 15 pis
1.60mm, 1 pis
1.20mm, 9 pis
1.40mm, 20 pis

Diamonds Wt- 0.40 Cts.
Gold Wt- 5.200 Gms.



Diamonds-

1.40mm, 8 pis

1.20mm, 6 pis

1.60mm, 10 pis

1.30mm, 51 pis

1.50mm, 1 pis

Diamonds Wt0.71- Cts.

Gold Wt-6.00 Gms.



Diamonds-

- 1.60mm, 4 pis
- 1.50mm, 13 pis
- 1.40mm, 3 pis
- 1.30mm, 22 pis
- 1.20mm, 16 pis
- 1.10mm, 3 pis

Diamonds Wt-0.56 Cts.
Gold Wt-5.850 Gms.



Diamonds-

1.20mm, 15 pis

1.30mm, 100 pis

1.10mm, 12 pis

1.60mm, 38 pis

1.40mm, 2 pis

Diamonds Wt-1.59 Cts.

Gold Wt-6.200 Gms.



Diamonds-
1.40mm, 30 pis

Diamonds Wt-0.31 Cts.
Gold Wt-3.600 Gms.



Diamonds-
1.50mm, 10 pis
1.30mm, 33 pis
1.40mm, 12 pis
1.20mm, 8 pis

Diamonds Wt-0.57 Cts.
Gold Wt-7.00 Gms.



Diamonds-
1.30mm, 140 pis
1.20mm, 8 pis
1.40mm, 14 pis
1.60mm, 6 pia
1.50mm, 2 pis

Diamonds Wt-1.47 Cts.
Gold Wt-9.00 Gms.



Diamonds-
1.60mm, 2 pis
1.20mm, 8 pis
1.50mm, 8 pis
1.40mm, 48 pis

Diamonds Wt- 0.69 Cts.
Gold Wt-5.080 Gms.



Diamonds-
1.30mm, 18 pis
1.20mm, 2 pis
1.40mm, 10 pis

Diamonds Wt-0.24 Cts.
Gold Wt-3.850 Gms.



Diamonds-

- 1.30mm, 5 pis
- 1.40mm, 23 pis
- 1.50mm, 6 pis
- 1.60mm, 1 pis
- 1.20mm, 1 pis
- 1.70mm, 1 pis

Diamonds Wt-0.39 Cts.
Gold Wt-5.520 Gms.



Diamonds-
1.30mm, 37 pis
1.80mm, 1 pis
1.60mm, 7 pis
1.50mm, 9 pis

Diamonds Wt-0.55 Cts.
Gold Wt- Gms.4.210



Diamonds-
1.20mm, 18 pis
1.40mm, 47 pis
1.30mm, 48 pis
1.60mm, 5 pis
1.50mm, 6 pis

Diamonds Wt-1.15 Cts.
Gold Wt-8.00 Gms.



Diamonds-
1.60mm, 17 pis
1.50mm, 2 pis
1.30mm, 31 pis

Diamonds Wt-0.54 Cts.
Gold Wt-5.00 Gms.



Diamonds-
1.20mm, 20 pis
1.30mm, 28 pis
1.40mm, 2 pis
1.60mm, 7 pis
1.50mm, 7 pis

Diamonds Wt-0.58 Cts.
Gold Wt-7.100 Gms.



Diamonds-
1.50mm, 23 pis
1.40mm, 30 pis
1.30mm, 103 pis

Diamonds Wt-1.45 Cts.
Gold Wt-9.700 Gms.



Diamonds-
1.40mm, 25 pis
1.50mm, 8 pis
1.30mm, 58 pis

Diamonds Wt-0.84 Cts.
Gold Wt-5.400 Gms.



Diamonds-
1.50mm, 8 pis
1.40mm, 46 pis
1.30mm, 10 pis

Diamonds Wt-0.66 Cts.
Gold Wt-4.300 Gms.



Diamonds-
1.50mm, 6 pis
1.40mm, 18 pis
1.60mm, 2 pis
1.40mm, 3 pis
1.30mm, 2 pis

Diamonds Wt-0.35 Cts.
Gold Wt- 3.320 Gms.



Diamonds-
1.20mm, 17 pis
1.40mm, 22 pis
1.30mm, 27 pis

Diamonds Wt-0.56 Cts.
Gold Wt-5.150 Gms.



Diamonds-
1.30mm, 88 pis

Diamonds Wt-0.73 Cts.
Gold Wt-4.920 Gms.



Diamonds-

1.50mm, 9 pis

1.40mm, 8 pis

1.30mm, 37 pis

Diamonds Wt-0.50 Cts.

Gold Wt-4.360 Gms.



Diamonds-
1.40mm, 15 pis
1.30mm, 11 pis
1.20mm, 3 pis

Diamonds Wt- 0.26 Cts.
Gold Wt-3.8250 Gms.



Diamonds-
1.30mm, 24 pis
1.40mm, 10 pis
1.20mm, 2 pis

Diamonds Wt-0.31 Cts.
Gold Wt-4.140 Gms.



Diamonds-
1.40mm, 28 pis
1.30mm, 36 pis
1.20mm, 14 pis
1.10mm, 4 pis

Diamonds Wt-0.77 Cts.
Gold Wt-6.00 Gms.



Diamonds-
1.30mm, 47 pis
1.40mm, 15 pis
1.60mm, 5 pis
1.20mm, 27 pis
1.50mm, 4 pis

Diamonds Wt-0.84 Cts.
Gold Wt-8.210 Gms.



Diamonds-
1.40mm, 8 pis
1.50mm, 31 pis

Diamonds Wt-0.47 Cts.
Gold Wt-8.200 Gms.



Diamonds-
1.30mm, 58 pis
1.40mm, 12 pis
1.60mm, 2 pis

Diamonds Wt-0.63 Cts.
Gold Wt-5.00 Gms.



Diamonds-
1.30mm, 25 pis
1.20mm, 12 pis
1.60mm, 2 pis
baugets- 2.00/1.00 =8 pis

Diamonds Wt-0.56 Cts.
Gold Wt-5.00 Gms.



Diamonds-
1.20mm, 30 pis
1.40mm, 32 pis
1.30mm, 44 pis

Diamonds Wt-0.89 Cts.
Gold Wt-7.020 Gms.



Diamonds-
1.50mm, 27 pis
1.30mm, 16 pis
1.40mm, 44 pis

Diamonds Wt-0.92 Cts.
Gold Wt-7.410 Gms.



Diamonds-
1.40mm, 5 pis
1.20mm, 5 pis
1.30mm, 60 pis

Diamonds Wt-0.58 Cts.
Gold Wt-5.100 Gms.



Diamonds-
1.30mm, 78 pis

Diamonds Wt-0.64 Cts.
Gold Wt-5.820 Gms.



Diamonds-
1.60mm, 1 pis
1.30mm, 24 pis

Diamonds Wt-0.21 Cts.
Gold Wt-3.00 Gms.



Diamonds-
1.30mm, 123 pis
1.50mm, 21 pis
1.40mm, 15 pis
1.20mm, 31 pis

Diamonds Wt-1.63 Cts.
Gold Wt-9.500 Gms.



Diamonds-
1.90mm, 7 pis
1.30mm, 4 pis
1.40mm, 20 pis

Diamonds Wt-0.42 Cts.
Gold Wt-4.180 Gms.



Diamonds-
1.30mm, 70 pis

Diamonds Wt-0.58 Cts.
Gold Wt-5.350 Gms.



Diamonds-
1.40mm, 11 pis
1.30mm, 17 pis
1.20mm, 2 pis

Diamonds Wt-0.28 Cts.
Gold Wt-4.00 Gms.



Diamonds-
1.40mm, 36 pis

Diamonds Wt-0.37 Cts.
Gold Wt-4.470 Gms.



Diamonds-
1.30mm, 50 pis
1.20mm, 4 pis

Diamonds Wt-0.44 Cts.
Gold Wt-5.400 Gms.



Diamonds-

1.20mm, 8 pis

1.30mm, 24 pis

1.40mm, 8 pis

1.70mm, 1 pis

Diamonds Wt-0.35 Cts.

Gold Wt-5.150 Gms.



Diamonds-
1.30mm, 138 pis
1.40mm, 42 pis

Diamonds Wt-1.57 Cts.
Gold Wt-10.820 Gms.



Diamonds-
1.50mm, 36 pis
1.40mm, 2 pis

Diamonds Wt-0.47 Cts.
Gold Wt-5.340 Gms.



Diamonds-
1.40mm, 26 pis
1.30mm, 16 pis
2.30mm, 2 pis

Diamonds Wt-0.49 Cts.
Gold Wt- 6.200 Gms.



Diamonds-
1.20mm, 18 pis
1.40mm, 26 pis
1.50mm, 1 pis
1.30mm, 144 pis

Diamonds Wt-1.58 Cts.
Gold Wt-5.420 Gms.



Diamonds-
1.40mm, 29 pis

Diamonds Wt-0.30 Cts.
Gold Wt-3.640 Gms.



Diamonds-
1.50mm, 31 pis
1.30mm, 10 pis
1.40mm, 36 pis
baguette- 2.00mm,/1.00mm,7 pis

Diamonds Wt-0.94 Cts.
Gold Wt-5.820 Gms.



Diamonds-
1.30mm, 21 pis
1.50mm, 3 pis
1.20mm, 2 pis

Diamonds Wt-0.54 Cts.
Gold Wt-6.140 Gms.



Diamonds-
1.30mm, 21 pis
1.20mm, 11 pis
1.60mm, 8 pis
1.50mm, 6 pis
1.40mm, 7 pis

Diamonds Wt-0.52 Cts.
Gold Wt-6.280 Gms.



Diamonds-
1.30mm, 60 pis
1.40mm, 3 pis

Diamonds Wt-0.53 Cts.
Gold Wt-6.280 Gms.



Diamonds-
1.60mm, 54 pis
1.90mm, 1 pis

Diamonds Wt-0.86 Cts.
Gold Wt-5.020 Gms.



Diamonds-
1.30mm, 5 pis
1.40mm, 13 pis
1.20mm, 1 pis

Diamonds Wt-0.18 Cts.
Gold Wt-3.420 Gms.



Diamonds-

1.20mm, 22 pis

1.40mm, 16 pis

1.50mm, 1 pis

1.80mm, 3 pis

1.30mm, 119 pis

1.60mm, 7 pis

Diamonds Wt-1.47 Cts.

Gold Wt-9.420 Gms.



Diamonds-
1.30mm, 66 pis
1.10mm, 8 pis
1.20mm, 7 pis

Diamonds Wt-0.63 Cts.
Gold Wt-5.300 Gms.



Diamonds-
1.40mm, 15 pis
1.30mm, 27 pis
1.20mm, 14 pis
1.50mm, 8 pis
1.60mm, 8 pis

Diamonds Wt-0.69 Cts.
Gold Wt-8.750 Gms.



Diamonds-
1.30mm, 107 pis
1.40mm, 4 pis

Diamonds Wt-0.92 Cts.
Gold Wt-8.100 Gms.



Diamonds-
1.50mm, 4 pis
1.60mm, 4 pis
1.40mm, 84 pis

Diamonds Wt-0.97 Cts.
Gold Wt-7.100 Gms.



Diamonds-
1.30mm, 36 pis
baquettes-
3.00mm/1.50mm= 10 pis

Diamonds Wt-0.73 Cts.
Gold Wt-4.080 Gms.



Diamonds-
1.40mm, 6 pis
1.30mm, 35 pis

Diamonds Wt-0.35 Cts.
Gold Wt-4.500 Gms.



Diamonds-

1.20mm, 6 pis

1.30mm, 8 pis

1.60mm, 14 pis

1.50mm, 11 pis

1.40mm, 5 pis

Diamonds Wt-0.51 Cts.

Gold Wt-4.100 Gms.



Diamonds-

- 1.60mm, 8 pis
- 1.50mm, 28 pis
- 1.40mm, 33 pis
- 1.30mm, 12 pis
- 1.20mm, 2 pis
- 1.10mm, 1 pis

Diamonds Wt-0.93 Cts.

Gold Wt-9.00 Gms.



Diamonds-
1.30mm, 44 pis
1.40mm, 32 pis
1.50mm, 3 pis
1.60mm, 1 pis

Diamonds Wt-0.74 Cts.
Gold Wt-5.400 Gms.



Diamonds-
1.50mm, 7 pis
1.20mm, 14 pis
1.30mm, 45 pis

Diamonds Wt-0.55 Cts.
Gold Wt-4.00 Gms.



Diamonds-
1.50mm, 16 pis
1.40mm, 19 pis
1.30mm, 45 pis

Diamonds Wt-0.63 Cts.
Gold Wt-7.200 Gms.



Diamonds-
1.40mm, 27 pis
1.20mm, 4 pis
1.30mm, 28 pis

Diamonds Wt-0.53 Cts.
Gold Wt-5.120 Gms.



Diamonds-
1.40mm, 37 pis
1.20mm, 4 pis
1.30mm, 28 pis

Diamonds Wt-0.65 Cts.
Gold Wt-6.500 Gms.



Diamonds-
1.30mm, 46 pis
baugettes- 3.00/1.50mm 9 pis

Diamonds Wt-0.69 Cts.
Gold Wt-4.200 Gms.



Diamonds-
1.30mm, 65 pis
1.40mm, 2 pis
1.60mm, 7 pis
1.80mm, 1 pis

Diamonds Wt-0.69 Cts.
Gold Wt-6.100 Gms.



Diamonds-
1.40mm, 3 pis
1.50mm, 28 pis
1.60mm, 18 pis

Diamonds Wt-0.66 Cts.
Gold Wt-4.800 Gms.



Diamonds-
1.50mm, 42 pis
1.40mm, 8 pis

Diamonds Wt-0.61 Cts.
Gold Wt-5.500 Gms.



Diamonds-
1.80mm, 2 pis
1.60mm, 14 pis
1.50mm, 55 pis
1.40mm, 26 pis
1.30mm, 21 pis

Diamonds Wt-1.39 Cts.
Gold Wt-8.400 Gms.



Diamonds-
1.50mm, 24 pis
1.40mm, 16 pis
1.30mm, 4 pis

Diamonds Wt-0.50 Cts.
Gold Wt-5.700 Gms.



Diamonds-

1.10mm, 10 pis

1.20mm, 15 pis

1.30mm, 30 pis

1.60mm, 5 pis

1.40mm, 5 pis

2.60mm, 1 pis

Diamonds Wt-0.59 Cts.

Gold Wt-7.100 Gms.



Diamonds-
1.30mm, 54 pis
1.20mm, 2 pis

Diamonds Wt-0.46 Cts.
Gold Wt-5.130 Gms.



Diamonds-
1.60mm, 25 pis
1.50mm, 4 pis
1.40mm, 21 pis
1.30mm, 60 pis

Diamonds Wt-1.15 Cts.
Gold Wt-9.400 Gms.



Diamonds-
1.20mm, 3 pis
1.30mm, 12 pis
1.40mm, 6 pis
1.50mm, 18 pis

Diamonds Wt-0.41 Cts.
Gold Wt-6.500 Gms.



Diamonds-
1.60mm, 10 pis
1.30mm, 20 pis
1.40mm, 48 pis
1.20mm, 32 pis

Diamonds Wt-1.02 Cts.
Gold Wt-8.100 Gms.



Diamonds-
1.20mm, 5 pis
1.40mm, 13 pis
1.50mm, 2 pis
1.30mm, 23 pis

Diamonds Wt-0.38 Cts.
Gold Wt-4.500 Gms.



Diamonds-
1.30mm, 98 pis
1.40mm, 17 pis
1.20mm, 11 pis
1.60mm, 15 pis
1.50mm, 16 pis

Diamonds Wt-1.49 Cts.
Gold Wt-10.300 Gms.



Diamonds-
1.60mm, 1 pis
1.30mm, 29 pis
1.40mm, 7 pis
1.50mm, 9 pis

Diamonds Wt-0.44 Cts.
Gold Wt-5.200 Gms.



Diamonds-

- 1.60mm, 1 pis
- 1.10mm, 6 pis
- 1.20mm, 7 pis
- 1.30mm, 33 pis
- 1.40mm, 4 pis

Diamonds Wt-0.40 Cts.

Gold Wt-5.00 Gms.



Diamonds-
1.40mm, 8 pis
1.30mm, 33 pis
1.40mm, 4 pis

Diamonds Wt-0.38 Cts.
Gold Wt-3.900 Gms.



Diamonds-
1.40mm, 2 pis
1.30mm, 52 pis
1.50mm, 2 pis
baugetts- 3.20mm/1.6mm= 7 pis

Diamonds Wt-0.84 Cts.
Gold Wt-4.400 Gms.



Diamonds-
1.30mm, 64 pis
1.40mm, 14 pis
1.10mm, 2 pis
1.20mm, 10 pis
1.50mm, 6 pis

Diamonds Wt-0.82 Cts.
Gold Wt-5.400 Gms.



Diamonds-

1.30mm, 68 pis

1.20mm, 5 pis

1.60mm, 1 pis

1.50mm, 1 pis

1.40mm, 21 pis

Diamonds Wt-0.84 Cts.

Gold Wt-6.300 Gms.



Diamonds-
1.50mm, 17 pis
1.30mm, 1 pis
1.40mm, 7 pis

Diamonds Wt-0.29 Cts.
Gold Wt-4.500 Gms.



Diamonds-
1.10mm, 6 pis
1.20mm, 12 pis
1.40mm, 57 pis
1.30mm, 20 pis
1.50mm, 4 pis

Diamonds Wt-0.91 Cts.
Gold Wt-7.750 Gms.



Diamonds-
1.40mm, 2 pis
1.30mm, 24 pis

Diamonds Wt-0.22 Cts.
Gold Wt-4.870 Gms.



Diamonds-
1.30mm, 49 pis
1.00mm, 2 pis

Diamonds Wt-0.41 Cts.
Gold Wt-4.200 Gms.



Diamonds-
1.20mm, 10 pis
1.30mm, 203 pis
1.40mm, 8 pis
1.80mm, 1 pis

Diamonds Wt-1.87 Cts.
Gold Wt-7.100 Gms.



Diamonds-
1.30mm, 148 pis
1.20mm, 51 pis
1.40mm, 5 pis
1.10mm, 15 pis
1.70mm, 12 pis
1.90mm, 2 pis
1.50mm, 7 pis

Diamonds Wt- 2.01Cts.
Gold Wt-10.300 Gms.



Diamonds-
1.20mm, 52 pis
1.40mm, 8 pis
1.30mm, 120 pis

Diamonds Wt-1.41 Cts.
Gold Wt-5.450 Gms.



Diamonds-
1.40mm, 19 pis
1.60mm, 12 pis
1.30mm, 1.0 pis

Diamonds Wt-1.26 Cts.
Gold Wt-6.900 Gms.



Diamonds-
1.20mm, 1.4 pis
1.30mm, 147 pis
1.40mm, 1 pis
1.10mm, 12 pis
1.00mm, 16 pis

Diamonds Wt- 2.02Cts.
Gold Wt-11.280 Gms.



Diamonds-
1.20mm, 12 pis
1.40mm, 10 pis
1.30mm, 138 pis

Diamonds Wt-1.36 Cts.
Gold Wt-7.150 Gms.



Diamonds-
1.20mm, 92 pis
1.30mm, 39 pis
1.40mm, 4 pis
1.60mm, 10 pis
1.10mm, 1 pis

Diamonds Wt-1.13 Cts.
Gold Wt-7.980 Gms.



Diamonds-
1.10mm, 18 pis
1.20mm, 62 pis
1.30mm, 16 pis
1.40mm, 17 pis
1.00mm, 2 pis
1.50mm, 10 pis

Diamonds Wt-0.93 Cts.
Gold Wt-9.000 Gms.



Diamonds-

- 1.40mm, 56 pis
- 1.20mm, 18 pis
- 1.10mm, 5 pis
- 1.30mm, 15 pis
- 1.50mm, 11 pis
- 1.00mm, 2 pis
- 0.90mm, 1 pis

Diamonds Wt-0.99 Cts.
Gold Wt-4.800 Gms.



Diamonds-
1.40mm, 39 pis
1.30mm, 4 pis

Diamonds Wt-0.43 Cts.
Gold Wt-5.470 Gms.



Diamonds-
1.30mm, 52 pis
1.40mm, 44 pis
1.20mm, 8 pis
1.10mm, 8 pis
1.70mm, 6 pis

Diamonds Wt-1.08 Cts.
Gold Wt-5.100 Gms.



Diamonds-
1.00mm, 2 pis
1.30mm, 1.01 pis
1.20mm, 54 pis
1.40mm, 57 pis
1.10mm, 8 pis

Diamonds Wt-1.82 Cts.
Gold Wt-5.900 Gms.



Diamonds-
1.40mm, 85 pis
1.10mm, 10 pis
1.20mm, 10 pis
1.30mm, 10 pis
1.60mm, 13 pis

Diamonds Wt-1.27 Cts.
Gold Wt-8.200 Gms.



Diamonds-
1.30mm, 49 pis
1.20mm, 17 pis
1.10mm, 4 pis
1.00mm, 1 pis
1.40mm, 9 pis

Diamonds Wt- 0.63 Cts.
Gold Wt- 3.600 Gms.



Diamonds-
1.20mm, 15 pis
1.00mm, 5 pis
1.20mm, 5 pis
1.10mm, 10 pis
1.30mm, 50 pis

Diamonds Wt-0.61 Cts.
Gold Wt-4.950 Gms.



Diamonds-
1.50mm, 4 pis
1.30mm, 36 pis

Diamonds Wt-0.35 Cts.
Gold Wt-4.000 Gms.



Diamonds-
2.00mm, 1 pis
2.20mm, 1 pis
1.30mm, 102 pis
1.20mm, 12 pis

Diamonds Wt-0.97 Cts.
Gold Wt-6.950 Gms.



Diamonds-
1.60mm, 14 pis
1.50mm, 14 pis

Diamonds Wt-0.39 Cts.
Gold Wt-4.760 Gms.



Diamonds-

- 1.50mm, 6 pis
- 1.20mm, 56 pis
- 1.40mm, 13 pis
- 1.60mm, 2 pis
- 1.30mm, 58 pis
- 1.10mm, 6 pis
- 1.00mm, 5 pis

Diamonds Wt-1.13 Cts.
Gold Wt-6.875 Gms.



Diamonds-
1.40mm, 18 pis
1.60mm, 3 pis
1.50mm, 2 pis
1.30mm, 24 pis

Diamonds Wt-0.44 Cts.
Gold Wt-3.220 Gms.



Diamonds-
1.30mm, 49 pis

Diamonds Wt-0.40 Cts.
Gold Wt-3.910 Gms.



Diamonds-
1.30mm, 66 pis
1.40mm, 6 pis

Diamonds Wt-0.63 Cts.
Gold Wt-4.500 Gms.



Diamonds-
1.50mm, 3 pis
1.60mm, 24 pis
1.00mm, 27 pis

Diamonds Wt-0.49 Cts.
Gold Wt-5.260 Gms.



Diamonds-

0.90mm, 1 pis
1.30mm, 38 pis
1.40mm, 9 pis
1.10mm, 3 pis
1.20mm, 27 pis
1.50mm, 8 pis
1.40mm, 3 pis

Diamonds Wt-0.74 Cts.
Gold Wt-4.940 Gms.



Diamonds-

1.30mm, 33 pis

1.40mm, 12 pis

1.20mm, 4 pis

1.00mm, 1 pis

1.10mm, 1 pis

1.50mm, 3 pis

Diamonds Wt-0.47 Cts.

Gold Wt-6.380 Gms.



Diamonds-
1.20mm, 21 pis
1.10mm, 2 pis
1.30mm, 10 pis
1.50mm, 1 pis
1.80mm, 1 pis

Diamonds Wt-0.26 Cts.
Gold Wt-2.970 Gms.



Diamonds-
1.30mm, 27 pis
1.40mm, 6 pis
1.60mm, 13 pis

Diamonds Wt-0.48 Cts.
Gold Wt-3.990 Gms.



Diamonds-
1.50mm, 1 pis
1.30mm, 40 pis
1.20mm, 2 pis

Diamonds Wt-0.36 Cts.
Gold Wt-2.850 Gms.



Diamonds-

1.50mm, 18 pis

1.40mm, 26 pis

1.30mm, 10 pis

1.20mm, 1 pis

1.10mm, 1 pis

1.70mm, 2 pis

Diamonds Wt-0.63 Cts.

Gold Wt-3.100 Gms.



Diamonds-
1.60mm, 9 pis
1.20mm, 11 pis

Diamonds Wt-0.22 Cts.
Gold Wt-3.240 Gms.



Diamonds-
1.30mm, 32 pis
1.20mm, 8 pis
1.10mm, 4 pis
1.50mm, 12 pis

Diamonds Wt-0.49 Cts.
Gold Wt-4.890 Gms.



Diamonds-
1.60mm, 8 pis
1.30mm, 68 pis
1.40mm, 20 pis
1.20mm, 1 pis
1.10mm, 1 pis

Diamonds Wt-0.90 Cts.
Gold Wt-5.460 Gms.



Diamonds-
1.50mm, 26 pis

Diamonds Wt-0.33 Cts.
Gold Wt-6.060 Gms.



Diamonds-
1.50mm, 22 pis
1.60mm, 5 pis

Diamonds Wt-0.35 Cts.
Gold Wt-6.460 Gms.



Diamonds-
1.60mm, 5 pis
1.40mm, 7 pis
1.10mm, 35 pis
1.20mm, 21 pis
2.70mm, 2 pis
2.20mm, 12 pis

Diamonds Wt-1.09 Cts.
Gold Wt-5.940 Gms.



Diamonds-
1.30mm, 13 pis
1.40mm, 14 pis

Diamonds Wt-0.25 Cts.
Gold Wt-4.470 Gms.



Diamonds-
1.20mm, 129 pis
1.10mm, 114 pis
1.30mm, 16 pis

Diamonds Wt- 1.62 Cts.
Gold Wt- 6.210 Gms.



Diamonds-
1.10mm, 5 pis
1.00mm, 1 pis
1.20mm, 6 pis
1.30mm, 64 pis
1.40mm, 10 pis

Diamonds Wt-0.79 Cts.
Gold Wt-4.860 Gms.



Diamonds-
1.10mm, 21 pis
1.20mm, 60 pis
1.30mm, 23 pis
1.00mm, 9 pis
1.60mm, 14 pis

Diamonds Wt-0.93 Cts.
Gold Wt-4.870 Gms.



Diamonds-
1.20mm, 17 pis
1.30mm, 38 pis
1.50mm, 26 pis
1.60mm, 6 pis
1.40mm, 20 pis
1.10mm, 2 pis

Diamonds Wt-1.06 Cts.
Gold Wt-5.960 Gms.



Diamonds-
1.60mm, 12 pis
1.30mm, 30 pis
1.20mm, 6 pis
1.70mm, 6 pis
1.80mm, 1 pis

Diamonds Wt-0.61 Cts.
Gold Wt-4.350 Gms.



Diamonds-
1.30mm, 31 pis
1.20mm, 30 pis

Diamonds Wt-0.45 Cts.
Gold Wt-5.320 Gms.



Diamonds-
1.50mm, 33 pis
1.80mm, 1 pis
1.20mm, 2 pis
1.30mm, 3 pis
1.40mm, 3 pis

Diamonds Wt-0.50 Cts.
Gold Wt-6.450 Gms.



Diamonds-

1.30mm, 40 pis

1.20mm, 10 pis

1.10mm, 7 pis

1.00mm, 6 pis

1.60mm, 3 pis

1.80mm, 2 pis

Diamonds Wt-0.54 Cts.

Gold Wt-4.180 Gms.





Diamonds-
1.40mm, 39 pis
1.30mm, 23 pis
1.50mm, 7 pis
1.00mm, 1 pis
1.20mm, 13 pis
1.10mm, 8 pis

Diamonds Wt-0.81 Cts.
Gold Wt-5.100 Gms.



Diamonds-

1.50mm, 14 pis

1.40mm, 22 pis

1.30mm, 14 pis

1.10mm, 8 pis

1.20mm, 2 pis

1.00mm, 8 pis

1.80mm, 2 pis

Diamonds Wt-0.64 Cts.

Gold Wt-4.080 Gms.



Diamonds-
1.30mm, 19 pis
1.20mm, 38 pis
1.10mm, 26 pis
1.00mm, 4 pis

Diamonds Wt-0.55 Cts.
Gold Wt-4.830 Gms.

Diamonds-

1.60mm, 4 pis

1.30mm, 78 pis

1.20mm, 50 pis

1.10mm, 13 pis

1.00mm, 11 pis

1.40mm, 11 pis

1.50mm, 2 pis

0.90mm, 2 pis

Diamonds Wt-1.28 Cts.

Gold Wt-5.050 Gms.





Diamonds-
1.50mm, 27 pis
1.40mm, 26 pis
1.30mm, 20 pis
1.20mm, 14 pis
1.10mm, 12 pis
1.00mm, 12 pis
0.90mm, 4 pis

Diamonds Wt-0.98 Cts.
Gold Wt-6.140 Gms.



Diamonds-
1.20mm, 27 pis
1.30mm, 60 pis
1.40mm, 1 pis

Diamonds Wt-0.68 Cts.
Gold Wt-5.350 Gms.



Diamonds-
1.30mm, 51 pis
1.40mm, 12 pis
1.10mm, 28 pis
1.20mm, 80 pis

Diamonds Wt-1.20 Cts.
Gold Wt-5.870 Gms.



Diamonds-
1.50mm, 1 pis
1.30mm, 21 pis
1.40mm, 4 pis
1.20mm, 16 pis
1.00mm, 6 pis

Diamonds Wt-0.34 Cts.
Gold Wt-3.400 Gms.



Diamonds-
1.10mm, 4 pis
1.20mm, 21 pis
1.30mm, 18 pis
1.50mm, 12 pis
1.40mm, 8 pis
1.60mm, 3 pis

Diamonds Wt-0.58 Cts.
Gold Wt-3.180 Gms.



Diamonds-
1.60mm, 1 pis
1.30mm, 20 pis
1.20mm, 40 pis
1.01mm, 12 pis
1.00mm, 4 pis
1.40mm, 4 pis

Diamonds Wt-0.56 Cts.
Gold Wt-3.780 Gms.



Diamonds-
1.20mm, 59 pis
1.30mm, 12 pis
1.0mm, 2 pis
1.10mm, 8 pis

Diamonds Wt-0.53 Cts.
Gold Wt-3.900 Gms.



Diamonds-
1.20mm, 42 pis
1.10mm, 55 pis
1.00mm, 4 pis

Diamonds Wt-0.56 Cts.
Gold Wt-5.990 Gms.



Diamonds-
1.20mm, 42 pis
1.10mm, 55 pis
1.00mm, 4 pis

Diamonds Wt-0.56 Cts.
Gold Wt-5.910 Gms.



Diamonds-
1.20mm, 12 pis
1.30mm, 12 pis
1.40mm, 20 pis
1.10mm, 20 pis

Diamonds Wt-0.48 Cts.
Gold Wt-5.090 Gms.



Diamonds-
1.50mm, **9 pis**
1.30mm, 10 pis
1.20mm, 12 pis
1.10mm, 11 pis

Diamonds Wt-0.33 Cts.
Gold Wt-4.020 Gms.



Diamonds-

1.40mm, 43 pis
1.30mm, 15 pis
1.50mm, 12 pis
1.60mm, 5 pis
1.20mm, 1 pis
1.80mm, 2 pis

Diamonds Wt-0.45 Cts.
Gold Wt-5.060 Gms.



Diamonds-
1.30mm, 25 pis
1.40mm, 8 pis
1.0mm, 7 pis
1.50mm, 3 pis
1.60mm, 5 pis

Diamonds Wt-0.45 Cts.
Gold Wt-4.890 Gms.



Diamonds-
1.30mm, 27 pis
1.20mm, 1 pis
1.40mm, 7 pis
1.50mm, 11 pis
1.60mm, 5 pis

Diamonds Wt-0.52 Cts.
Gold Wt-5.100 Gms.



Diamonds-
1.30mm, 18 pis
1.40mm, 5 pis
1.0mm, 7 pis
1.0mm, 4 pis
1.00mm, 1 pis

Diamonds Wt-0.27 Cts.
Gold Wt-3.820 Gms.



Diamonds-
1.50mm, 1 pis
1.30mm, 39 pis
1.40mm, 35 pis
1.20mm, 5 pis
1.10mm, 1 pis

Diamonds Wt-0.74 Cts.
Gold Wt-4.890 Gms.



Diamonds-
1.10mm, 8 pis
1.30mm, 68 pis
1.20mm, 17 pis

Diamonds Wt-0.71 Cts.
Gold Wt-6.090 Gms.



Diamonds-
1.40mm, 34 pis
1.0mm, 3 pis
1.20mm, 27 pis
1.30mm, 32 pis
1.50mm, 3 pis

Diamonds Wt-0.84 Cts.
Gold Wt-4.950 Gms.



Diamonds-
1.20mm, 27 pis
1.30mm, 24 pis
1.10mm, 6 pis
1.40mm, 8 pis
1.50mm, 2 pis
1.00mm, 1 pis

Diamonds Wt-0.51 Cts.
Gold Wt-4.810 Gms.



Diamonds-
1.40mm, 28 pis
1.10mm, 14 pis
1.30mm, 14 pis
1.05mm, 1 pis
1.40mm, 6 pis

Diamonds Wt-0.55 Cts.
Gold Wt-5.890 Gms.



Diamonds-
1.60mm, 1 pis
1.0mm, 27 pis
1.20mm, 12 pis
1.40mm, 3 pis

Diamonds Wt-0.35 Cts.
Gold Wt-3.860 Gms.



Diamonds-
1.00mm, 12 pis
1.20mm, 9 pis
1.30mm, 5 pis
1.40mm, 10 pis
1.50mm, 3 pis
1.10mm, 1 pis

Diamonds Wt-0.29 Cts.
Gold Wt-3.790 Gms.



Diamonds-
1.30mm, 40 pis
1.10mm,, 2pis
1.30mm, 6 pis
1.40mm, 3 pis

Diamonds Wt-0.35 Cts.
Gold Wt-3.810 Gms.



Diamonds-
1.30mm, 39 pis
1.0mm, 6 pis
1.80mm, 1 pis
1.00mm, 9 pis
1.40mm, 9 pis

Diamonds Wt-0.58 Cts.
Gold Wt-6.880 Gms.



Diamonds-
1.30mm, 62 pis
1.70mm, 6pis
1.80mm, 1 pis

Diamonds Wt-0.65 Cts.
Gold Wt-4.090 Gms.



Diamonds-
1.20mm, 40 pis
1.30mm, 57 pis
1 20mm,2 pis

Diamonds Wt-0.74 Cts.
Gold Wt-6.970 Gms.



Diamonds-

- 1.10mm, 3 pis
- 1.20mm, 39 pis
- 1.30mm, 61 pis
- 1.00mm, 1 pis
- 1.50mm, 2 pis
- 1.40mm, 8 pis

Diamonds Wt-0.88 Cts.
Gold Wt-6.100 Gms.



Diamonds-
1.20mm, 23 pis
1.0mm, 50 pis
1.40mm, 21 pis
1.10mm, 4 pis

Diamonds Wt-0.80 Cts.
Gold Wt-5.980 Gms.



Diamonds-
1.30mm, 48 pis
1.40mm, 8 pis
1.60mm, 19 pis

Diamonds Wt-0.77 Cts.
Gold Wt-12.000 Gms.



Diamonds-
1.60mm, 12 pis
1.50mm, 24 pis
1.20mm, 60 pis
1.30mm, 36 pis
1.40mm, 36 pis

Diamonds Wt-1.54 Cts.
Gold Wt-9.950 Gms.



Diamonds-
1.60mm, 13 pis
1.30mm, 80 pis
1.40mm, 67 pis
1.20mm, 56 pis
1.10mm, 3 pis

Diamonds Wt- 1.99Cts.
Gold Wt-12.000 Gms.



Diamonds-

- 1.0mm, 11 pis
- 1.10mm, 10 pis
- 1.20mm, 19 pis
- 1.30mm, 44 pis
- 1.50mm, 2 pis
- 1.00mm, 4 pis
- 0.90mm, 4 pis

Diamonds Wt- 0.70 Cts.
Gold Wt- 7.020 Gms.



Diamonds-
1.40mm, 47 pis
1.20mm, 15 pis
1.50mm, 81 pis
1.30mm, 130 pis
1.80mm, 1 pis
1.70mm, 6 pis

Diamonds Wt-2.81 Cts.
Gold Wt-7.990 Gms.



Diamonds-

1.60mm, 14 pis

1.20mm, 20 pis

1.10mm, 12 pis

0.90mm, 7 pis

1.30mm, 1 pis

Diamonds Wt-0.48 Cts.

Gold Wt-3.890 Gms.



Diamonds-
1.30mm, 24 pis
1.50mm, 7 pis
1.40mm, 5 pis

Diamonds Wt-0.34 Cts.
Gold Wt-5.240 Gms.



Diamonds-

- 1.60mm, 1 pis
- 1.50mm, 14 pis
- 1.40mm, 7 pis
- 1.30mm, 10 pis
- 1.20mm, 2 pis
- 1.10mm, 1 pis

Diamonds Wt-0.36 Cts.
Gold Wt-4.700 Gms.



Diamonds-
1.30mm, 46 pis
1.20mm, 22 pis
1.10mm, 8 pis
1.40mm, 16 pis
1.60mm, 2 pis

Diamonds Wt-0.76 Cts.
Gold Wt-6.350 Gms.



Diamonds-

1.30mm, 24 pis

1.40mm, 22 pis

1.50mm, 4 pis

1.20mm, 18 pis

1.10mm, 12 pis

Diamonds Wt-0.65 Cts.

Gold Wt-4.760 Gms.



Diamonds-
1.20mm, 12 pis
1.30mm, 16 pis
1.10mm, 26 pis
1.00mm, 26 pis

Diamonds Wt-0.44 Cts.
Gold Wt-3.690 Gms.



Diamonds-
1.50mm, 8 pis
1.40mm, 4 pis
1.30mm, 44 pis
1.30mm, 2 pis

Diamonds Wt-0.52 Cts.
Gold Wt-4.220 Gms.



Diamonds-
1.40mm, 66 pis
1.20mm, 23 pis
1.10mm, 4 pis
1.30mm, 21 pis

Diamonds Wt-1.02 Cts.
Gold Wt-6.790 Gms.



Diamonds-
1.10mm, 14 pis
1.30mm, 27 pis
1.20mm, 12 pis

Diamonds Wt-0.37 Cts.
Gold Wt-4.250 Gms.



Diamonds-
1.10mm, 17 pis
1.20mm, 12 pis
1.30mm, 29 pis
1.40mm, 4 pis
1.90mm, 6 pis
2.00mm, 1 pis

Diamonds Wt-0.61 Cts.
Gold Wt-4.940 Gms.



Diamonds-

- 1.50mm, 6 pis
- 1.30mm, 10 pis
- 1.40mm, 6 pis
- 1.70mm, 12 pis
- 1.80mm, 2 pis
- 1.20mm, 2 pis

Diamonds Wt-0.50 Cts.
Gold Wt-5.470 Gms.



Diamonds-
1.10mm, 20 pis
2.00mm, 2 pis
1.50mm, 8 pis
1.40mm, 8 pis
1.40mm, 25 pis
1.30mm, 4 pis

Diamonds Wt-0.54 Cts.
Gold Wt-6.840 Gms.



Diamonds-
1.40mm, 12 pis
1.30mm, 16 pis
1.20mm, 26 pis
1.10mm, 4 pis

Diamonds Wt- 0.44 Cts.
Gold Wt- 8.070 Gms.



Diamonds-
1.30mm, 60 pis
1.40mm, 2 pis
1.50mm, 40 pis
1.80mm, 1 pis

Diamonds Wt-1.04 Cts.
Gold Wt-8.410 Gms.



Diamonds-
1.20mm, 22 pis
1.10mm, 6 pis
1.50mm, 8 pis
1.30mm, 4 pis
1.00mm, 2 pis

Diamonds Wt-0.35 Cts.
Gold Wt-3.200 Gms.



Diamonds-

- 1.50mm, 4 pis
- 1.10mm, 5 pis
- 1.30mm, 10 pis
- 1.40mm, 36 pis
- 1.20mm, 15 pis

Diamonds Wt-0.62 Cts.
Gold Wt-4.000 Gms.



Diamonds-
1.40mm, 12 pis
1.10mm, 6 pis
1.20mm, 8 pis
1.30mm, 7 pis
1.50mm, 4 pis

Diamonds Wt- 0.31 Cts.
Gold Wt- 3.120 Gms.



Diamonds-
1.20mm, 6 pis
1.30mm, 3 pis
1.40mm, 9 pis
1.10mm, 3 pis
1.50mm, 12 pis

Diamonds Wt-0.32 Cts.
Gold Wt-4.400 Gms.



Diamonds-
1.40mm 14 pis
1.30mm 20 pis
1.20mm 5 pis

Diamonds Wt-0.34 Cts.
Gold Wt-3.600 Gms.



Diamonds-
1.20mm, 5 pis
1.30mm, 26 pis

Diamonds Wt-0.25 Cts.
Gold Wt-3.000 Gms.



Diamonds-
1.30mm, 54 pis

Diamonds Wt-0.45 Cts.
Gold Wt-3.400 Gms.



Diamonds-
1.20mm, 14 pis
1.30mm, 11 pis
1.40mm, 7 pis

Diamonds Wt-0.25 Cts.
Gold Wt-2.310 Gms.



Diamonds-
1.10mm, 4 pis
1.20mm, 6 pis
1.30mm, 10 pis
1.40mm, 5 pis
1.50mm, 5 pis

Diamonds Wt-0.26 Cts.
Gold Wt-2.900 Gms.



Diamonds-
1.20mm, 9 pis
1.40mm, 8 pis
1.50mm, 19 pis
1.30mm, 11 pis
1.10mm, 3 pis

Diamonds Wt-0.49 Cts.
Gold Wt-2.850 Gms.



Diamonds-
1.30mm, 1 pis
1.40mm, 11 pis
1.50mm, 6 pis
1.60mm, 1 pis

Diamonds Wt-0.20 Cts.
Gold Wt-2.850 Gms.



Diamonds-
1.30mm, 32 pis
1.20mm, 6 pis
1.10mm, 5 pis
1.40mm, 7 pis
1.50mm, 2 pis

Diamonds Wt-0.42 Cts.
Gold Wt-3.450 Gms.



Diamonds-
1.10mm, 6 pis
1.30mm, 5 pis
1.20mm, 5 pis
1.40mm, 11 pis
1.50mm, 2 pis

Diamonds Wt-0.55 Cts.
Gold Wt-3.300 Gms.



Diamonds-
1.40mm, 14 pis
1.50mm, 12 pis
1.20mm, 7 pis
1.10mm, 2 pis
1.30mm, 23 pis

Diamonds Wt-0.54 Cts.
Gold Wt-3.500 Gms.



Diamonds-
1.10mm, 3 pis
1.20mm, 5 pis
1.30mm, 15 pis
1.40mm, 4 pis

Diamonds Wt-0.21 Cts.
Gold Wt-3.200 Gms.



Diamonds-
1.20mm, 44 pis
1.30mm, 26 pis
1.40mm, 16 pis
1.10mm, 6 pis

Diamonds Wt-0.49 Cts.
Gold Wt-4.800 Gms.



Diamonds-
1.10mm, 8 pis
1.20mm, 18 pis
1.30mm, 24 pis
1.40mm, 13 pis

Diamonds Wt-0.49 Cts.
Gold Wt-4.400 Gms.



Diamonds-
1.30mm, 10 pis
1.40mm, 10 pis
1.50mm, 16 pis
1.10mm, 5 pis
1.20mm, 7 pis

Diamonds Wt- 0.46 Cts.
Gold Wt- 3.300 Gms.



Diamonds-
1.30mm, 30 pis
1.20mm, 25 pis
1.10mm, 2 pis

Diamonds Wt-0.42 Cts.
Gold Wt-3.850 Gms.



Diamonds-
1.30mm, 42 pis
1.10mm, 2 pis
1.20mm, 7 pis
1.40mm, 3 pis

Diamonds Wt-0.43 Cts.
Gold Wt-3.500 Gms.



Diamonds-
1.20mm, 14 pis
1.10mm, 14 pis
1.50mm, 3 pis
1.30mm, 12 pis
1.40mm, 2 pis

Diamonds Wt-0.31 Cts.
Gold Wt-3.310 Gms.



Diamonds-
1.10mm, 10 pis
1.20mm, 4 pis
1.40mm, 13 pis
1.40mm, 13 pis
1.50mm, 5 pis
1.30mm, 4 pis

Diamonds Wt-0.30 Cts.
Gold Wt-3.200 Gms.



Diamonds-
1.30mm, 9 pis
1.0mm, 12 pis
1.40mm, 2 pis
1.50mm, 8 pis
1.10mm, 4 pis

Diamonds Wt-0.29 Cts.
Gold Wt-3.200 Gms.

Diamonds-
1.30mm, 16 pis
1.40mm, 2 pis
1.50mm, 3 pis
1.10mm, 18 pis
1.20mm, 20 pis

Diamonds Wt-0.40 Cts.
Gold Wt-3.700 Gms.





Diamonds-
1.60mm, 5 pis
1.50mm, 12 pis
1.70mm, 1 pis
1.40mm, 17 pis
1.30mm, 8 pis
1.20mm, 10 pis

Diamonds Wt-0.55 Cts.
Gold Wt-3.400 Gms.



Diamonds-
1.20mm, 2 pis
1.50mm, 6 pis
1.40mm, 20 pis
1.30mm, 16 pis

Diamonds Wt-0.43 Cts.
Gold Wt-3.820 Gms.



Diamonds-
1.40mm, 14 pis
1.50mm, 15 pis
1.20mm, 6 pis
1.30mm, 1 pis

Diamonds Wt-0.38 Cts.
Gold Wt-2.890 Gms.



Diamonds-
1.30mm, 23 pis
1.20mm, 7 pis
1.10mm, 3 pis
1.40mm, 10 pis

Diamonds Wt-0.35 Cts.
Gold Wt-3.380 Gms.



Diamonds-
1.10mm, 1 pis
1.40mm, 12 pis
1.0mm, 4 pis
1.30mm, 28 pis
1.50mm, 2 pis

Diamonds Wt-0.41 Cts.
Gold Wt-3.800 Gms.



Diamonds-
1.30mm, 15 pis
14.20mm, 10 pis
1.10mm, 9 pis
1.00mm, 2 pis

Diamonds Wt-0.23 Cts.
Gold Wt-3.350 Gms.



Diamonds-
1.30mm, 4 pis
1.40mm, 9 pis
1.50mm, 5 pis
1.10mm, 2 pis
1.20mm, 2 pis

Diamonds Wt-0.21 Cts.
Gold Wt-2.700 Gms.



Diamonds-
1.40mm, 2 pis
1.0mm, 7 pis
1.20mm, 5 pis
1.10mm, 5 pis

Diamonds Wt-0.13 Cts.
Gold Wt-2.850 Gms.





Diamonds-
1.0mm, 5 pis
1.20mm, 6 pis
1.30mm, 21 pis
1.40mm, 4 pis

Diamonds Wt-0.29 Cts.
Gold Wt-2.500 Gms.



Diamonds-
1.0mm, 9 pis
1.0mm, 29 pis
110mm, 2 pis
1.40mm, 2 pis

Diamonds Wt-0.29 Cts.
Gold Wt-4.130 Gms.



Diamonds-
1.20mm, 3 pis
1.40mm, 21 pis
1.0mm, 3 pis
1.30mm, 15 pis
1.10mm, 4 pis

Diamonds Wt-0.42 Cts.
Gold Wt-3.400 Gms.



Diamonds-
1.10mm, 4 pis
1.20mm, 6 pis
1.0mm, 13 pis
1.40mm, 6 pis
1.50mm, 6 pis

Diamonds Wt-0.30 Cts.
Gold Wt-3.000 Gms.



Diamonds-

1.0mm, 8 pis

1.40mm, 5 pis

1.0mm, 6 pis

1.0mm, 5 pis

1.50mm, 10 pis

1.60mm, 1 pis

Diamonds Wt-0.32 Cts.

Gold Wt-2.760 Gms.



Diamonds-
1.20mm, 5 pis
1.10mm, 3 pis
1.30mm, 48 pis
1.40mm, 11 pis

Diamonds Wt-0.56 Cts.
Gold Wt-5.400 Gms.



Diamonds-
1.30mm, 40 pis
1.0mm, 4 pis
1.20mm, 8 pis
1.40mm, 18 pis
1.50mm, 3 pis

Diamonds Wt-0.62 Cts.
Gold Wt-4.800 Gms.



Diamonds-
1.10mm, 1 pis
1.30mm, 25 pis
1.40mm, 23 pis

Diamonds Wt-0.45 Cts.
Gold Wt-3.500 Gms.



Diamonds-

1.30mm, 19 pis

1.40mm, 8 pis

1.50mm, 7 pis

1.20mm, 6 pis

Diamonds Wt-0.37 Cts.

Gold Wt-3.150 Gms.



Diamonds-

1.30mm, 6 pis

1.40mm, 25 pis

1.20mm, 1 pis

Diamonds Wt-0.31 Cts.

Gold Wt-3.160 Gms.



Diamonds-
1.30mm, 35 pis
1.10mm, 1 pis
1.40mm, 4 pis
1.50mm, 6 pis

Diamonds Wt-0.41 Cts.
Gold Wt-3.800 Gms.



Diamonds-

- 1.0mm, 2 pis
- 1.20mm, 14 pis
- 1.30mm, 26 pis
- 1.40mm, 20 pis
- 1.50mm, 4 pis

Diamonds Wt-0.57 Cts.
Gold Wt-4.000 Gms.



Diamonds-
1.40mm, 6 pis
1.30mm, 21 pis
1.20mm, 3 pis

Diamonds Wt-0.25 Cts.
Gold Wt-3.500 Gms.



Diamonds-

1.0mm, 19 pis
1.40mm, 13 pis
1.50mm, 4 pis
1.20mm, 1 pis

Diamonds Wt-0.35 Cts.
Gold Wt-4.400 Gms.



Diamonds-
1.40mm, 42 pis
1.30mm, 76 pis
1.20mm, 16 pis
1.10mm, 2 pis

Diamonds Wt-1.17 Cts.
Gold Wt-6.700 Gms.



Diamonds-
1.40mm, 24 pis
1.30mm, 36 pis
1.20mm, 20 pis
1.10mm, 2 pis

Diamonds Wt-0.68 Cts.
Gold Wt-5.700 Gms.



Diamonds-
1.50mm, 26 pis
1.10mm, 4 pis
1.20mm, 10 pis
1.30mm, 10 pis
1.40mm, 6 pis

Diamonds Wt-0.56 Cts.
Gold Wt-3.820 Gms.



Diamonds-
1.20mm, 21 pis
1.30mm, 18 pis
1.40mm, 1 pis
1.50mm, 7 pis

Diamonds Wt-0.38 Cts.
Gold Wt-3.200 Gms.



Diamonds-
1.10mm, 5 pis
1.20mm, 11 pis
1.50mm, 15 pis
1.30mm, 7 pis

Diamonds Wt-0.34 Cts.
Gold Wt-3.600 Gms.



Diamonds-
1.30mm, 22 pis
1.40mm, 16 pis
1.20mm, 4 pis
1.10mm, 1 pis

Diamonds Wt-0.38 Cts.
Gold Wt-3.600 Gms.



Diamonds-
1.20mm, 13 pis
1.30mm, 50 pis
1.10mm, 14 pis

Diamonds Wt-0.56 Cts.
Gold Wt-4.500 Gms.



Diamonds-
1.40mm, 32 pis
1.30mm, 28 pis
1.50mm, 4 pis
12.0mm, 8 pis

Diamonds Wt-0.66 Cts.
Gold Wt-4.500 Gms.



Diamonds-
1.40mm, 7 pis
1.50mm, 11 pis
1.20mm, 18 pis
1.30mm, 5 pis
1.10mm, 3 pis

Diamonds Wt-0.38 Cts.
Gold Wt-2.500 Gms.



Diamonds-

1.50mm, 5 pis

1.40mm, 4 pis

1.0mm, 14 pis

1.20mm, 8 pis

1.10mm, 4 pis

Diamonds Wt-0.29 Cts.

Gold Wt-5.300 Gms.



Diamonds-
1.50mm, 5 pis
1.20mm, 2 pis
1.30mm, 20 pis

Diamonds Wt-0.34 Cts.
Gold Wt-3.200 Gms.



Diamonds-
1.30mm, 28 pis
1.20mm, 9 pis
1.40mm, 12 pis
1.10mm, 4 pis
1.50mm, 3 pis

Diamonds Wt-0.37 Cts.
Gold Wt-3.600 Gms.



Diamonds-
1.30mm, 17 pis
1.20mm, 6 pis
1.40mm, 12 pis
1.10mm, 4 pis
1.50mm, 3 pis

Diamonds Wt- Cts.
Gold Wt- Gms.



Diamonds-
1.20mm, 18 pis
1.40mm, 3 pis
1.50mm, 6 pis
1.30mm, 15 pis
1.10mm, 5 pis

Diamonds Wt-0.37 Cts.
Gold Wt-4.400 Gms.



Diamonds-
1.20mm, 9 pis
1.30mm, 6 pis
1.10mm, 4 pis
1.40mm, 8 pis

Diamonds Wt-0.21 Cts.
Gold Wt-4.200 Gms.

Diamonds-
1.30mm, 9 pis
1.50mm, 9 pis
1.40mm, 8 pis
1.20mm, 6 pis
1.10mm, 12 pis

Diamonds Wt-0.36 Cts.
Gold Wt-3.210 Gms.





Diamonds-
1.50mm, 19 pis
1.40mm, 5 pis
1.20mm, 14 pis
1.30mm, 6 pis

Diamonds Wt-0.76 Cts.
Gold Wt-6.000 Gms.



Diamonds-
1.20mm, 17 pis
1.30mm, 29 pis
1.40mm, 32 pis
1.10mm, 3 pis
1.50mm, 5 pis

Diamonds Wt-0.76 Cts.
Gold Wt-6.000 Gms.



Diamonds-
1.30mm, 16 pis
1.10mm, 5 pis
1.40mm, 26 pis
1.20mm, 12 pis
1.50mm, 3 pis

Diamonds Wt-0.54 Cts.
Gold Wt-4.600 Gms.



Diamonds-

1.20mm, 3 pis

1.30mm, 7 pis

1.50mm, 3 pis

1.40mm, 16 pis

1.60mm, 6 pis

Diamonds Wt-0.37 Cts.

Gold Wt-3.300 Gms.



Diamonds-
1.30mm, 16 pis
1.40mm, 4 pis

Diamonds Wt-0.17 Cts.
Gold Wt-2.800 Gms.



Diamonds-

1.30mm, 1 pis

1.40mm, 9 pis

1.50mm, 13 pis

1.10mm, 4 pis

1.20mm, 4 pis

1.60mm, 1 pis

Diamonds Wt-0.33 Cts.

Gold Wt-3.800 Gms.



Diamonds-
1.50mm, 2 pis
1.0mm, 23 pis
1.40mm, 9 pis
1.20mm, 2 pis

Diamonds Wt-0.32 Cts.
Gold Wt-3.200 Gms.



Diamonds-

1.30mm, 20 pis

1.20mm, 25 pis

1.50mm, 7 pis

1.40mm, 8 pis

1.10mm, 6 pis

1.60mm, 1 pis

Diamonds Wt-0.54 Cts.

Gold Wt-4.000 Gms.



Diamonds-
1.40mm, 24 pis

Diamonds Wt-0.25 Cts.
Gold Wt-3.660 Gms.



Diamonds-
1.30mm, 37 pis
1.40mm, 15 pis

Diamonds Wt-0.25 Cts.
Gold Wt-4.100 Gms.



Diamonds-

1.40mm, 12 pis

1.50mm, 3 pis

1.30mm, 8 pis

1.20mm, 6 pis

1.10mm, 1 pis

1.60mm, 1 pis

Diamonds Wt-0.29 Cts.

Gold Wt-3.000 Gms.



Diamonds-
1.10mm, 3 pis
1.20mm, 7 pis
1.30mm, 54 pis
1.40mm, 6 pis

Diamonds Wt-0.57 Cts.
Gold Wt-4.200 Gms.



Diamonds-
1.0mm, 22 pis
1.30mm, 25 pis
1.20mm, 10 pis
1.50mm, 5 pis
1.10mm, 2 pis

Diamonds Wt-0.57 Cts.
Gold Wt-4.500 Gms.



Diamonds-

1.60mm, 3 pis

1.20mm, 6 pis

1.30mm, 12 pis

1.40mm, 6 pis

1.10mm, 2 pis

Diamonds Wt-0.54 Cts.

Gold Wt-4.100 Gms.



Diamonds-
1.30mm, 41 pis
1.50mm, 2 pis
1.20mm, 34 pis

Diamonds Wt-0.58 Cts.
Gold Wt-4.720 Gms.



Diamonds-
1.20mm, 7 pis
1.30mm, 11 pis
1.40mm, 8 pis
1.50mm, 10 pis
1.10mm, 6 pis

Diamonds Wt-0.37 Cts.
Gold Wt-3.530 Gms.



Diamonds-
1.40mm, 21 pis
1.20mm, 6 pis
1.30mm, 8 pis
2.50mm, 1 pis

Diamonds Wt-0.38 Cts.
Gold Wt-3.400 Gms.



Diamonds-
1.10mm, 8 pis
1.20mm, 17 pis
1.30mm, 25 pis
1.40mm, 6 pis
1.50mm, 2 pis

Diamonds Wt-0.61 Cts.
Gold Wt-3.900 Gms.



Diamonds-
1.30mm, 51 pis
1.40mm, 12 pis
1.20mm, 10 pis

Diamonds Wt-0.61 Cts.
Gold Wt-5.100 Gms.



Diamonds-
1.30mm, 12 pis
1.10mm, 10 pis
1.20mm, 7 pis
1.40mm, 4 pis
1.50mm, 6 pis

Diamonds Wt-0.31 Cts.
Gold Wt-3.400 Gms.



Diamonds-
1.20mm, 16 pis
1.40mm, 5 pis
1.50mm, 5 pis
1.30mm, 19 pis
1.10mm, 9 pis

Diamonds Wt-0.41 Cts.
Gold Wt-4.300 Gms.



Diamonds-

- 1.20mm, 8 pis
- 1.30mm, 4 pis
- 1.40mm, 14 pis
- 1.10mm, 3 pis
- 1.50mm, 11 pis
- 1.60mm, 1 pis

Diamonds Wt-0.40 Cts.
Gold Wt-4.500 Gms.



Diamonds-

- 1.50mm, 7 pis
- 1.40mm, 22 pis
- 1.30mm, 7 pis
- 1.10mm, 1 pis
- 1.20mm, 4 pis

Diamonds Wt-0.40 Cts.
Gold Wt-2.820 Gms.



Diamonds-

1.10mm, 6 pis

1.20mm, 14 pis

1.30mm, 34 pis

1.40mm, 10 pis

1.50mm, 2 pis

Diamonds Wt-0.53 Cts.

Gold Wt-4.600 Gms.



Diamonds-
1.10mm, 6 pis
1.20mm, 15 pis
1.30mm, 14 pis
1.40mm, 14 pis

Diamonds Wt-0.39 Cts.
Gold Wt-3.710 Gms.



Diamonds-
1.10mm, 4 pis
1.20mm, 2 pis
1.50mm, 12 pis
1.30mm, 1 pis
1.40mm, 4 pis

Diamonds Wt- 0.23 Cts.
Gold Wt- 2.900 Gms.



Diamonds-
1.50mm, 11pis.
1.30mm, 14pis.
1.20mm, 2pis.
1.40mm, 2pis.

Diamonds Wt- 0.29 Cts.
Gold Wt- 4.392 Gms.



Diamonds-
1.40mm, 10pis.
1.30mm, 12pis.
2.40mm, 1pis.
2.50mm, 1pis.
1.60mm, 4pis.
1.50mm, 3pis.

Diamonds Wt- 0.41 Cts.
Gold Wt- 3.699 Gms.



Diamonds-
1.20mm, 17pis.
1.10mm, 28pis.
1.40mm, 4pis.
1.30mm, 4pis.
1.60mm, 2pis.

Diamonds Wt- 0.35 Cts.
Gold Wt- 3.015 Gms.



Diamonds-
1.10mm, 58pis.
1.40mm, 8pis.

Diamonds Wt- 0.37 Cts.
Gold Wt- 4.500 Gms.



Diamonds-
1.40mm, 2pis.
1.50mm, 2pis.
1.20mm, 32pis.
1.10mm, 15pis.
1.30mm, 43pis.

Diamonds Wt- 0.68 Cts.
Gold Wt- 5.139 Gms.



Diamonds-
1.40mm, 24pis.
1.50mm, 25pis.
1.20mm, 11pis.
1.30mm, 7pis.
1.10mm, 2pis.

Diamonds Wt- 0.45 Cts.
Gold Wt- 4.716 Gms.



Diamonds-
1.10mm, 10pis.
1.20mm, 42pis.

Diamonds Wt- 0.32 Cts.
Gold Wt- 2.610 Gms.



Diamonds-
1.10mm, 8pis.
1.20mm, 14pis.
1.30mm, 44pis.
1.00mm, 3pis.

Diamonds Wt- 0.50 Cts.
Gold Wt- 3.636 Gms.



Diamonds-
1.10mm, 4pis.
1.20mm, 15pis.
1.30mm, 32pis.
1.40mm, 14pis.

Diamonds Wt- 0.52 Cts.
Gold Wt- 4.473 Gms.



Diamonds-
1.10mm, 22pis.
1.40mm, 4pis.
1.30mm, 24pis.
1.20mm, 46pis.
1.00mm, 2pis.

Diamonds Wt- 0.65 Cts.
Gold Wt- 4.446 Gms.



Diamonds-
1.30mm, 16pis.
1.20mm, 56pis.
1.10mm, 22pis.
1.50mm, 4pis.
1.40mm, 2pis.

Diamonds Wt- 0.68 Cts.
Gold Wt- 5.229 Gms.



Diamonds-
1.40mm, 7pis.
1.30mm, 24pis.
1.20mm, 14pis.
1.10mm, 9pis.
1.50mm, 6pis.

Diamonds Wt- 0.48 Cts.
Gold Wt- 4.356 Gms.



Diamonds-
1.20mm, 41pis.
1.30mm, 42pis.
1.10mm, 39pis.

Diamonds Wt- 0.81 Cts.
Gold Wt- 5.652 Gms.



Diamonds-
1.10mm, 57pis.
1.20mm, 36pis.
1.00mm, 2pis.

Diamonds Wt- 0.52 Cts.
Gold Wt- 5.175 Gms.



Diamonds-
1.10mm, 14pis.
1.20mm, 17pis.
1.30mm, 10pis.
1.00mm, 4pis.

Diamonds Wt- 0.41 Cts.
Gold Wt- 4.257 Gms.



Diamonds-
1.10mm, 29pis.
1.20mm, 41pis.

Diamonds Wt- 0.41 Cts.
Gold Wt- 4.437 Gms.



Diamonds-
1.50mm, 8pis.
1.40mm, 20pis.
1.20mm, 26pis.
1.10mm, 8pis.
1.30mm, 12pis.

Diamonds Wt- 0.61 Cts.
Gold Wt- 4.473 Gms.



Diamonds-
1.50mm, 42pis.
1.40mm, 16pis.
1.30mm, 16pis.
1.20mm, 40pis.
1.10mm, 8pis.

Diamonds Wt- 1.13 Cts.
Gold Wt- 5.157 Gms.



Diamonds-
1.00mm, 4pis.
1.10mm, 46pis.
1.20mm, 14pis.
1.30mm, 4pis.
1.40mm, 14pis.

Diamonds Wt- 0.51 Cts.
Gold Wt- 4.446 Gms.



Diamonds-
1.10mm, 59pis.
1.20mm, 20pis.

Diamonds Wt- 0.42 Cts.
Gold Wt- 4.500 Gms.



Diamonds-
1.20mm, 46pis.
1.10mm, 13pis.

Diamonds Wt- 0.36 Cts.
Gold Wt- 4.320 Gms.



Diamonds-
1.40mm, 21pis.
1.30mm, 13pis.
1.20mm, 14pis.
1.50mm, 4pis.
1.10mm, 25pis.

Diamonds Wt- 0.59 Cts.
Gold Wt- 5.454 Gms.



Diamonds-

1.50mm, 4pis.

1.10mm, 12pis.

1.20mm, 32pis.

1.30mm, 24pis.

1.40mm, 10pis.

Diamonds Wt- 0.62 Cts.

Gold Wt- 4.545 Gms.



Diamonds-
1.10mm, 9pis.
1.20mm, 38pis.
1.40mm, 6pis.
1.50mm, 4pis.

Diamonds Wt- 0.40 Cts.
Gold Wt- 3.573 Gms.



Diamonds-
1.10mm, 20pis.
1.20mm, 73pis.

Diamonds Wt- 0.57 Cts.
Gold Wt- 4.536 Gms.



Diamonds-

- 1.50mm, 1pis.
- 1.40mm, 8pis.
- 1.30mm, 2pis.
- 1.20mm, 53pis.
- 1.10mm, 37pis.
- 1.00mm, 1pis.

Diamonds Wt- 0.64 Cts.

Gold Wt- 4.194 Gms.



Diamonds-
1.10mm, 24pis.
1.20mm, 64pis.
1.60mm, 2pis.
1.40mm, 16pis.
1.50mm, 4pis.
1.30mm, 10pis.

Diamonds Wt- 0.86 Cts.
Gold Wt- 6.066 Gms.



Diamonds-
1.30mm, 62pis.
1.20mm, 15pis.
1.10mm, 9pis.

Diamonds Wt- 0.65 Cts.
Gold Wt- 5.238 Gms.



Diamonds-
1.40mm, 54pis.
1.30mm, 17pis.
1.50mm, 2pis.
1.60mm, 1pis.
1.20mm, 1pis.

Diamonds Wt- 0.74 Cts.
Gold Wt- 4.563 Gms.



Diamonds-
1.20mm, 5pis.
1.30mm, 10pis.
1.50mm, 11pis.
1.40mm, 7pis.
1.10mm, 5pis.

Diamonds Wt- 0.35 Cts.
Gold Wt- 3.132 Gms.



Diamonds-
1.10mm, 8pis.
1.30mm, 18pis.
1.20mm, 16pis.

Diamonds Wt- 0.29 Cts.
Gold Wt- 3.978 Gms.



Diamonds-
1.20mm, 61pis.

Diamonds Wt- 0.40 Cts.
Gold Wt- 4.446 Gms.



Diamonds-
1.10mm, 2pis.
1.20mm, 50pis.

Diamonds Wt- 0.34 Cts.
Gold Wt- 3.384 Gms.



Diamonds-
1.20mm, 53pis.
1.30mm, 8pis.

Diamonds Wt- 0.59 Cts.
Gold Wt- 3.663 Gms.



Diamonds-
1.20mm, 60pis.
1.30mm, 14pis.
1.10mm, 8pis.
1.80mm, 2pis.

Diamonds Wt- 0.59 Cts.
Gold Wt- 4.149 Gms.



Diamonds-
1.20mm, 48pis.

Diamonds Wt- 0.31 Cts.
Gold Wt- 3.375 Gms.



Diamonds-
1.30mm, 26pis.
1.40mm, 4pis.
1.50mm, 4pis.
1.10mm, 12pis.
1.20mm, 36pis.

Diamonds Wt- 0.60 Cts.
Gold Wt- 4.266 Gms.



Diamonds-
1.20mm, 7pis.
1.10mm, 66pis.

Diamonds Wt- 0.37 Cts.
Gold Wt- 4.419 Gms.



Diamonds-
1.10mm, 48pis.
1.20mm, 25pis.

Diamonds Wt- 0.40 Cts.
Gold Wt- 4.203 Gms.



Diamonds-
1.20mm, 73pis.

Diamonds Wt- 0.47 Cts.
Gold Wt- 4.302 Gms.



Diamonds-
1.40mm, 10pis.
1.10mm, 68pis.
1.60mm, 7pis.
1.50mm, 4pis.
1.30mm, 7pis.
1.20mm, 14pis.

Diamonds Wt- 0.75 Cts.
Gold Wt- 6.390 Gms.



Diamonds-

1.10mm, 4pis.

1.20mm, 16pis.

1.30mm, 28pis.

1.40mm, 41pis.

1.50mm, 9pis.

Diamonds Wt- 0.89 Cts.

Gold Wt- 5.895 Gms.



Diamonds-

1.20mm, 16pis.

1.30mm, 32pis.

1.10mm, 3pis.

1.50mm, 3pis.

1.40mm, 27pis.

1.60mm, 4pis.

Diamonds Wt- 0.76 Cts.

Gold Wt- 5.562 Gms.



Diamonds-
1.50mm, 42pis.
1.60mm, 12pis.

Diamonds Wt- 0.71 Cts.
Gold Wt- 4.005 Gms.

Diamonds-
1.20mm, 61pis.
1.10mm, 16pis.
1.40mm, 1pis.
1.30mm, 1pis.

Diamonds Wt- 0.49 Cts.
Gold Wt- 4.950 Gms.





Diamonds-

1.30mm, 18pis.

1.20mm, 33pis.

1.40mm, 6pis.

1.10mm, 2pis.

Diamonds Wt- 0.43 Cts.

Gold Wt- 3.951 Gms.



Diamonds-
1.30mm, 5pis.
1.40mm, 5pis.
1.50mm, 6pis.
1.10mm, 23pis.
1.20mm, 34pis.

Diamonds Wt- 0.50 Cts.
Gold Wt- 4.266 Gms.



Diamonds-
1.20mm, 66pis.
1.10mm, 28pis.

Diamonds Wt- 0.57 Cts.
Gold Wt- 5.472 Gms.



Diamonds-
1.20mm, 29pis.
1.10mm, 9pis.
1.30mm, 50pis.

Diamonds Wt- 0.65 Cts.
Gold Wt- 5.634 Gms.



Diamonds-
1.40mm, 32pis.
1.30mm, 18pis.
1.20mm, 16pis.
1.10mm, 8pis.

Diamonds Wt- 0.62 Cts.
Gold Wt- 5.211 Gms.



Diamonds-
1.10mm, 12pis.
1.20mm, 61pis.
1.30mm, 20pis.

Diamonds Wt- 0.62 Cts.
Gold Wt- 3.807 Gms.



Diamonds-
1.30mm, 4pis.
1.20mm, 24pis.
1.10mm, 8pis.
1.00mm, 20pis.

Diamonds Wt- 0.30 Cts.
Gold Wt- 3.645 Gms.

Diamonds-
1.20mm, 55pis.

Diamonds Wt- 0.36 Cts.
Gold Wt- 4.914 Gms.





Diamonds-
1.20mm, 32pis.
1.30mm, 1pis.
1.00mm, 4pis.
1.10mm, 17pis.

Diamonds Wt- 0.32 Cts.
Gold Wt- 4.446 Gms.



Diamonds-
1.20mm, 46pis.
1.30mm, 18pis.

Diamonds Wt- 0.45 Cts.
Gold Wt- 4.599 Gms.



Diamonds-
1.20mm, 2pis.
1.30mm, 16pis.
1.50mm, 12pis.
1.10mm, 4pis.
1.60mm, 8pis.
1.40mm, 44pis.

Diamonds Wt- 0.89 Cts.
Gold Wt- 4.446 Gms.



Diamonds-
1.20mm, 14pis.
1.10mm, 33pis.

Diamonds Wt- 0.25 Cts.
Gold Wt- 3.168 Gms.



Diamonds-
1.10mm, 4pis.
1.20mm, 12pis.
1.30mm, 28pis.
1.60mm, 1pis.
1.50mm, 2pis.

Diamonds Wt- 0.37 Cts.
Gold Wt- 4.356 Gms.

Diamonds-
1.30mm, 19pis.
1.20mm, 57pis.
1.10mm, 15pis.
1.00mm, 1pis.

Diamonds Wt- 0.61 Cts.
Gold Wt- 5.508 Gms.





Diamonds-
1.20mm, 24pis.
1.10mm, 71pis.

Diamonds Wt- 0.51 Cts.
Gold Wt- 3.987 Gms.



Diamonds-
1.50mm, 24pis.
1.40mm, 12pis.
1.30mm, 22pis.
1.20mm, 12pis.

Diamonds Wt- 0.68 Cts.
Gold Wt- 5.085 Gms.



Diamonds-
1.30mm, 4pis.
1.40mm, 24pis.
1.50mm, 16pis.

Diamonds Wt- 0.48 Cts.
Gold Wt- 5.211 Gms.



Diamonds-
1.50mm, 19pis.
1.40mm, 4pis.

Diamonds Wt- 0.28 Cts.
Gold Wt- 4.815 Gms.



Diamonds-
1.50mm, 8pis.
1.20mm, 25pis.
1.30mm, 9pis.
1.40mm, 7pis.

Diamonds Wt- 0.41 Cts.
Gold Wt- 4.176 Gms.



Diamonds-
1.10mm, 10pis.
1.20mm, 12pis.
1.30mm, 25pis.

Diamonds Wt- 0.33 Cts.
Gold Wt- 3.897 Gms.



Diamonds-
1.30mm, 19pis.
1.40mm, 23pis.
1.60mm, 1pis.
1.10mm, 3pis.
1.20mm, 6pis.
1.50mm, 6pis.

Diamonds Wt- 0.54 Cts.
Gold Wt- 4.221 Gms.



Diamonds-
1.30mm, 19pis.
1.40mm, 23pis.
1.60mm, 1pis.
1.10mm, 3pis.
1.20mm, 6pis.
1.50mm, 6pis.

Diamonds Wt- 0.54 Cts.
Gold Wt- 4.941 Gms.



Diamonds-
1.20mm, 52pis.
1.30mm, 18pis.
1.40mm, 14pis.
1.50mm, 12pis.

Diamonds Wt- 0.78 Cts.
Gold Wt- 6.957 Gms.



Diamonds-
1.10mm, 6pis.
1.20mm, 52pis.

Diamonds Wt- 0.37 Cts.
Gold Wt- 3.204 Gms.



Diamonds-
1.20mm, 34pis.
1.10mm, 4pis.
1.00mm, 4pis.
1.30mm, 46pis.

Diamonds Wt- 0.63 Cts.
Gold Wt- 5.562 Gms.



Diamonds-
1.20mm, 68pis.
1.30mm, 27pis.
1.10mm, 4pis.

Diamonds Wt- 0.68 Cts.
Gold Wt- 4.257 Gms.



Diamonds-
1.40mm, 16pis.
1.30mm, 16pis.
1.20mm, 2pis.

Diamonds Wt- 0.31 Cts.
Gold Wt- 4.590 Gms.



Diamonds-
1.20mm, 50pis.
1.40mm, 4pis.
1.50mm, 4pis.
1.30mm, 4pis.

Diamonds Wt- 0.45 Cts.
Gold Wt- 5.004 Gms.



Diamonds-
2.00mm, 2pis.
1.20mm, 11pis.
1.30mm, 30pis.
1.60mm, 3pis.
1.50mm, 5pis.
1.40mm, 1pis.

Diamonds Wt- 0.50 Cts.
Gold Wt- 3.807 Gms.



Diamonds-
1.30mm, 40pis.
1.20mm, 2pis.

Diamonds Wt- 0.34 Cts.
Gold Wt- 4.572 Gms.



Diamonds-
1.30mm, 29pis.
1.20mm, 16pis.
1.10mm, 4pis.

Diamonds Wt- 0.36 Cts.
Gold Wt- 4.383 Gms.



Diamonds-
1.20mm, 13pis.
1.30mm, 16pis.
1.50mm, 26pis.
1.40mm, 11pis.
1.10mm, 7pis.
1.00mm, 1pis.

Diamonds Wt- 0.70 Cts.
Gold Wt- 5.679 Gms.



Diamonds-
1.40mm, 19pis.
1.30mm, 12pis.
1.20mm, 14pis.
1.10mm, 8pis.
1.50mm, 6pis.

Diamonds Wt- 0.50 Cts.
Gold Wt- 3.933 Gms.



Diamonds-
1.40mm, 34pis.

Diamonds Wt- 0.35 Cts.
Gold Wt- 3.942 Gms.



Diamonds-
1.60mm, 1pis.
1.40mm, 26pis.
1.20mm, 15pis.
1.10mm, 2pis.
1.30mm, 22pis.

Diamonds Wt- 0.57 Cts.
Gold Wt- 4.167 Gms.



Diamonds-
1.50mm, 101 pis
1.40mm, 16 pis
1.70mm, 4 pis
1.60mm, 16 pis

Diamonds Wt-1.76 Cts.
Gold Wt-9.850 Gms.



Diamonds-
1.30mm, 62 pis
1.40mm, 54 pis
1.50mm, 16 pis
1.60mm, 1 pis
1.20mm, 14 pis

Diamonds Wt-1.37 Cts.
Gold Wt-7.530 Gms.



Diamonds

1.00mm, 15 pis

1.20mm, 35 pis

1.30mm, 34 pis

1.10mm, 42 pis

1.40mm, 22 pis

1.50mm, 13 pis

Diamonds Wt-1.160 Cts.

Gold Wt-10.300 Gms.



Diamonds-
1.30mm, 44 pis
1.40mm, 6 pis
1.50mm, 8 pis
4.00mm, 2 pis

Diamonds Wt-1.00 Cts.
Gold Wt-5.120 Gms.



Diamonds
1.60mm, 35 pis
1.30mm, 54 pis
1.20mm, 7 pis

Diamonds Wt-1.03 Cts.
Gold Wt-9.140 Gms.



Diamonds-
1.40mm, 50 pis
1.30mm, 6 pis
1.10mm, 14 pis
1.50mm, 2 pis

Diamonds Wt-0.66 Cts.
Gold Wt-4.530 Gms.



Diamonds-
1.20mm, 47 pis
1.10mm, 17 pis
1.40mm, 16 pis
1.30mm, 27 pis
1.50mm, 4 pis

Diamonds Wt-0.82 Cts.
Gold Wt-6.240 Gms.



Diamonds-
1.30mm, 54 pis
1.20mm, 20 pis

Diamonds Wt-0.58 Cts.
Gold Wt-4.820 Gms.



Diamonds-
1.30mm, 49 pis
1.50mm, 9 pis
1.80mm, 3 pis
1.60mm, 1 pis

Diamonds Wt-0.60 Cts.
Gold Wt-5.00 Gms.



Diamonds-
1.30mm, 82 pis
1.60mm, 2 pis

Diamonds Wt-0.71 Cts.
Gold Wt-5.020 Gms.



Diamonds-
1.30mm, 20 pis
1.20mm, 22 pis
1.10mm, 16 pis
1.00mm, 20 pis

Diamonds Wt-0.46 Cts.
Gold Wt-5.210 Gms.



Diamonds-
1.50mm, 38 pis
1.20mm, 139 pis

Diamonds Wt-1.36 Cts.
Gold Wt-7.540 Gms.



Diamonds-
1.10mm, 60 pis
1.20mm, 15 pis
1.30mm, 15 pis

Diamonds Wt-0.52 Cts.
Gold Wt-4.210 Gms.



Diamonds-
1.10mm, 20 pis
1.30mm, 34 pis
1.40mm, 34 pis
1.20mm, 9 pis

Diamonds Wt-0.72 Cts.
Gold Wt-6.320 Gms.



Diamonds-

1.40mm, 19 pis

1.10mm, 10 pis

1.20mm, 4 pis

1.30mm, 9 pis

1.50mm, 10 pis

Diamonds Wt-0.47 Cts.

Gold Wt-3.500 Gms.



Diamonds-
1.30mm, 92 pis

Diamonds Wt-0.76 Cts.
Gold Wt-5.320 Gms.



Diamonds-
1.20mm, 88 pis

Diamonds Wt-0.57 Cts.
Gold Wt-5.420 Gms.



Diamonds-
1.50mm, 19 pis
1.40mm, 16 pis
1.30mm, 48 pis
1.70mm, 1 pis

Diamonds Wt-0.82 Cts.
Gold Wt-9.100 Gms.



Diamonds-
1.30mm, 106 pis
1.40mm, 10 pis
1.20mm, 3 pis
1.10mm, 3 pis

Diamonds Wt-1.01 Cts.
Gold Wt-5.830 Gms.



Diamonds-
1.10mm, 96 pis
1.40mm, 12 pis

Diamonds Wt-5.480 Cts.
Gold Wt-0.06 Gms.



Diamonds-
1.30mm, 60 pis
1.10mm, 1 pis
1.20mm, 35 pis
1.00mm, 1 pis
1.60mm, 28 pis
1.40mm, 9 pis

Diamonds Wt-1.25 Cts.
Gold Wt-7.410 Gms.



Diamonds-
1.10mm, 46 pis
1.20mm, 34 pis
1.00mm, 4 pis
1.30mm, 16 pis
1.50mm, 6 pis
1.40mm, 6 pis

Diamonds Wt-0.73 Cts.
Gold Wt-6.120 Gms.



Diamonds-
1.30mm, 32 pis
1.40mm, 3 pis
1.50mm, 2 pis
1.20mm, 41 pis
1.10mm, 2 pis

Diamonds Wt-0.60 Cts.
Gold Wt-4.210 Gms.



Diamonds-

1.30mm, 54 pis

1.40mm, 312 pis

1.10mm, 25 pis

1.20mm, 18 pis

1.50mm, 12 pis

Diamonds Wt-4.04 Cts.

Gold Wt-8.840 Gms.



Diamonds-
1.20mm, 4 pis
1.40mm, 7 pis
1.10mm, 16 pis
1.30mm, 4 pis
1.50mm, 5 pis

Diamonds Wt-0.27 Cts.
Gold Wt-3.450 Gms.



Diamonds-

1.30mm, 14 pis

1.20mm, 58 pis

1.10mm, 16 pis

1.40mm, 24 pis

1.50mm, 17 pis

1.60mm, 8 pis

Diamonds Wt-1.18 Cts.

Gold Wt-7.240 Gms.



Diamonds-
1.0mm, 26 pis
1.30mm, 30 pis
1.40mm, 14 pis
1.50mm, 16 pis
1.10mm, 6 pis
4.42mm, 2 pis

Diamonds Wt-1.49 Cts.
Gold Wt-5.600 Gms.



Diamonds-
1.40mm, 16 pis
1.30mm, 30 pis

Diamonds Wt-0.41 Cts.
Gold Wt-4.210 Gms.



Diamonds-
1.20mm, 10 pis
1.10mm, 6 pis
1.30mm, 14 pis
1.60mm, 1 pis
1.40mm, 7 pis

Diamonds Wt-0.41 Cts.
Gold Wt-4.00 Gms.



Diamonds-
1.20mm, 98 pis
1.10mm, 42 pis
1.00mm, 8 pis
1.60mm, 22 pis

Diamonds Wt-1.21 Cts.
Gold Wt-6.00 Gms.



Diamonds-
1.30mm, 68 pis

Diamonds Wt-0.56 Cts.
Gold Wt-3.800 Gms.



Diamonds-
1.10mm, 41 pis
1.00mm, 48 pis
1.20mm, 109 pis

Diamonds Wt-1.98 Cts.
Gold Wt-10.100 Gms.



Diamonds-

1.10mm, 50 pis

1.20mm, 32 pis

1.40mm, 6 pis

1.50mm, 1 pis

1.30mm, 20 pis

Diamonds Wt-0.69 Cts.

Gold Wt-6.00 Gms.



Diamonds-

1.60mm, 5 pis

1.30mm, 8 pis

1.50mm, 8 pis

1.40mm, 61 pis

1.20mm, 65 pis

Diamonds Wt-1.29 Cts.

Gold Wt-7.560 Gms.



Diamonds-

1.10mm, 5 pis
1.30mm, 9 pis
1.20mm, 76 pis
1.60mm, 30 pis
1.50mm, 13 pis
1.40mm, 18 pis

Diamonds Wt-1.40 Cts.

Gold Wt-6.820 Gms.



Diamonds-
1.50mm, 22 pis
1.60mm, 12 pis

Diamonds Wt-0.44 Cts.
Gold Wt-3.400 Gms.



Diamonds-
1.30mm, 48 pis
1.40mm, 52 pis
1.50mm, 50 pis

Diamonds Wt-1.56 Cts.
Gold Wt-8.200 Gms.



Diamonds-
1.30mm, 9 pis
1.40mm, 15 pis
1.50mm, 6 pis
1.20mm, 4 pis

Diamonds Wt-0.33 Cts.
Gold Wt-3.120 Gms.



Diamonds-
1.60mm, 7 pis
1.30mm, 52 pis

Diamonds Wt-0.54 Cts.
Gold Wt-9.100 Gms.



Diamonds-
1.50mm, 8 pis
1.40mm, 24 pis
1.30mm, 22 pis
1.20mm, 8 pis
1.10mm, 7 pis

Diamonds Wt-0.62 Cts.
Gold Wt-5.100 Gms.



Diamonds-
1.30mm, 90 pis
1.40mm, 49 pis
1.20mm, 30 pis
1.10mm, 30 pis

Diamonds Wt-1.59 Cts.
Gold Wt-7.200 Gms.



Diamonds-

1.60mm, 15 pis

1.50mm, 15 pis

1.40mm, 15 pis

1.30mm, 28 pis

1.20mm, 4 pis

Diamonds Wt-0.83 Cts.

Gold Wt-7.100 Gms.



Diamonds-
1.30mm, 36 pis

Diamonds Wt-0.30 Cts.
Gold Wt-3.810 Gms.



Diamonds-
1.30mm, 4pis
1.40mm, 4 pis
1.20mm, 60 pis
1.10mm, 16 pis
1.50mm, 16 pis

Diamonds Wt-0.75Cts.
Gold Wt-7.850 Gms.



Diamonds-
1.60mm, 6 pis
1.50mm, 3 pis
1.40mm, 12 pis
1.30mm, 12 pis
1.20mm, 6 pis
1.00mm, 2 pis
1.10mm, 4 pis

Diamonds Wt-0.42 Cts.
Gold Wt-4.020 Gms.



Diamonds-
1.10mm, 84 pis
1.20mm, 4 pis
1.00mm, 14 pis
1.30mm, 8 pis

Diamonds Wt-0.56 Cts.
Gold Wt-5.020 Gms.



Diamonds-
1.30mm, 80 pis

Diamonds Wt-0.66 Cts.
Gold Wt-8.200 Gms.



Diamonds-
1.10mm, 26 pis

Diamonds Wt-0.13 Cts.
Gold Wt-3.00 Gms.



Diamonds-
1.30mm, 45 pis
1.40mm, 4 pis
1.20mm, 48 pis

Diamonds Wt-0.74 Cts.
Gold Wt-8.700 Gms.



Diamonds-
1.20mm, 56 pis
1.30mm, 44 pis
1.40mm, 6 pis
1.50mm, 1 pis

Diamonds Wt-0.80 Cts.
Gold Wt-5.100 Gms.



Diamonds-
1.40mm, 59 pis
1.30mm, 7 pis

Diamonds Wt-0.66 Cts.
Gold Wt-6.820 Gms.



Diamonds-
1.40mm, 4 pis
1.30mm, 43 pis
1.20mm, 3 pis
1.10mm, 4 pis

Diamonds Wt-0.43 Cts.
Gold Wt-4.100 Gms.



Diamonds-
1.20mm, 54 pis
1.30mm, 15 pis
1.40mm, 10 pis
1.10mm, 70 pis

Diamonds Wt-0.92 Cts.
Gold Wt-6.350 Gms.



Diamonds-

- 1.50mm, 1 pis
- 1.40mm, 6 pis
- 1.20mm, 70 pis
- 1.10mm, 36 pis
- 1.00mm, 18 pis
- 1.30mm, 18 pis

Diamonds Wt- 0.92 Cts.

Gold Wt- 7.100 Gms.



Diamonds-
1.50mm, 28 pis
1.40mm, 28 pis
1.30mm, 28 pis
1.10mm, 28 pis

Diamonds Wt-1.01 Cts.
Gold Wt-6.750 Gms.



Diamonds-
1.50mm, 14 pis
1.30mm, 54 pis

Diamonds Wt-0.62 Cts.
Gold Wt-5.210 Gms.



Diamonds-
1.40mm, 72 pis
1.10mm, 6 pis
1.20mm, 6 pis
1.30mm, 3 pis
1.50mm, 18 pis

Diamonds Wt-1.06 Cts.
Gold Wt-6.850 Gms.



Diamonds-
1.30mm, 65 pis
1.50mm, 24 pis
1.40mm, 12 pis

Diamonds Wt-0.96 Cts.
Gold Wt-6.520 Gms.



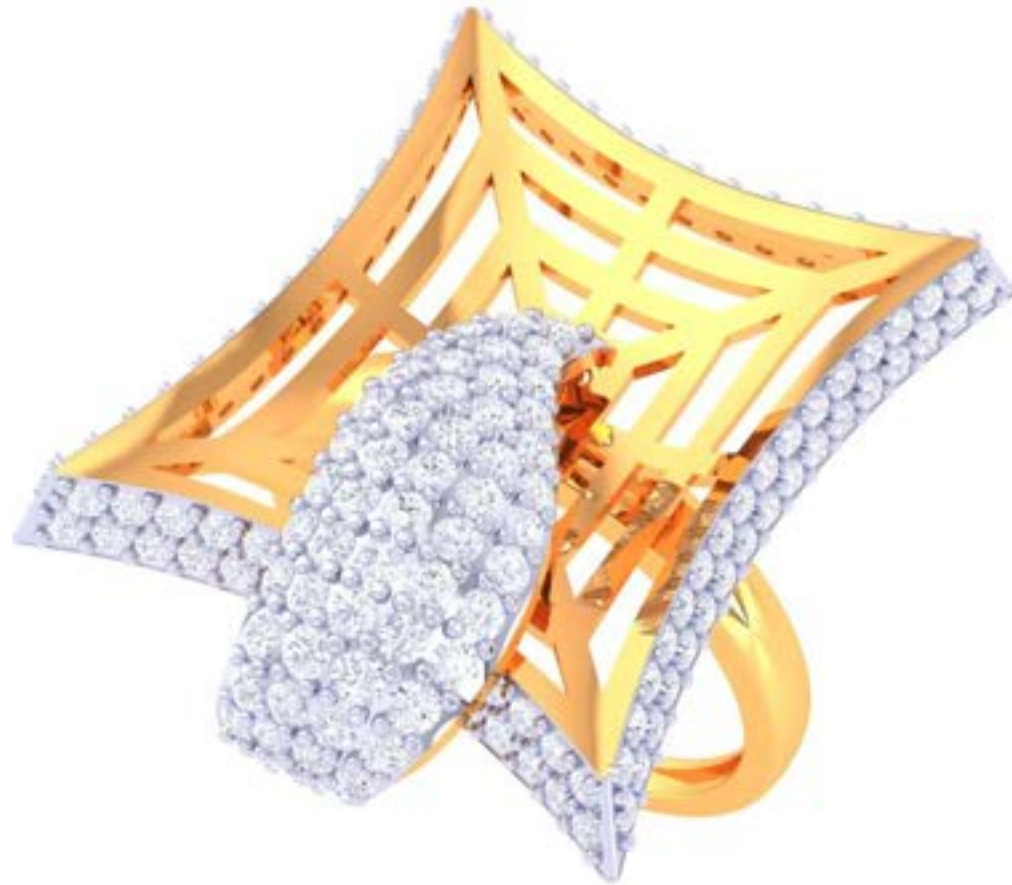
Diamonds-
1.10mm, 52 pis
1.30mm, 58 pis

Diamonds Wt-0.74 Cts.
Gold Wt-6.120 Gms.



Diamonds-
1.40mm, 71 pis
1.30mm, 42 pis
1.50mm, 6 pis

Diamonds Wt-1.15 Cts.
Gold Wt-8.100 Gms.



Diamonds-
1.30mm, 19 pis
1.40mm, 26 pis
1.20mm, 111 pis
1.50mm, 4 pis
1.10mm, 12 pis

Diamonds Wt-1.26 Cts.
Gold Wt-7.540 Gms.



Diamonds-
1.40mm, 54 pis
1.0mm, 1 pis
1.30mm, 16 pis
1.20mm, 32 pis

Diamonds Wt-0.91 Cts.
Gold Wt-6.510 Gms.



Diamonds-
1.30mm, 48 pis
1.40mm, 63 pis
1.50mm, 10 pis

Diamonds Wt-1.17 Cts.
Gold Wt-7.560 Gms.



Diamonds-
1.50mm, 12 pis
1.30mm, 24 pis
1.20mm, 48 pis
1.10mm, 16 pis

Diamonds Wt-0.74 Cts.
Gold Wt-7.520 Gms.



Diamonds-
1.30mm, 67 pis
1.20mm, 26 pis

Diamonds Wt-0.73 Cts.
Gold Wt-5.120 Gms.



Diamonds-
1.40mm, 18 pis
1.50mm, 9 pis
1.20mm, 12 pis
1.30mm, 8 pis

Diamonds Wt-0.44 Cts.
Gold Wt-5.640 Gms.



Diamonds-
1.40mm, 37 pis
1.30mm, 4 pis

Diamonds Wt-0.41 Cts.
Gold Wt-5.640 Gms.



Diamonds-
1.30mm, 54 pis
1.20mm, 30 pis
1.50mm, 8 pis

Diamonds Wt-0.74 Cts.
Gold Wt-6.100 Gms.



Diamonds-
1.30mm, 44 pis
1.20mm, 20 pis

Diamonds Wt-0.49 Cts.
Gold Wt-5.100 Gms.



Diamonds-
1.30mm, 52 pis
1.40mm, 70 pis

Diamonds Wt-1.14 Cts.
Gold Wt- 7.200 Gms.



Diamonds-

1.50mm, 6 pis

1.10mm, 8 pis

1.20mm, 4 pis

1.30mm, 12 pis

1.40mm, 32 pis

Diamonds Wt-.57 Cts.

Gold Wt-4.100 Gms.



Diamonds-
1.40mm, 20 pis
1.30mm, 31 pis
1.20mm, 4 pis
1.10mm, 4 pis

Diamonds Wt-0.51 Cts.
Gold Wt-3820 Gms.



Diamonds-
1.50mm, 9 pis
1.40mm, 54 pis
1.10mm, 17 pis

Diamonds Wt-0.75 Cts.
Gold Wt-6.750 Gms.



Diamonds-
1.30mm, 32 pis
1.20mm, 16 pis
1.10mm, 18 pis

Diamonds Wt-0.46 Cts.
Gold Wt-4.120 Gms.



Diamonds-
1.30mm, 52 pis
1.20mm, 4 pis
1.50mm, 16 pis
1.40mm, 22 pis

Diamonds Wt-0.88 Cts.
Gold Wt-5.510 Gms.



Diamonds-
1.20mm, 92 pis
1.30mm, 14 pis
1.10mm, 20 pis

Diamonds Wt-0.81 Cts.
Gold Wt-6.580 Gms.



Diamonds-

1.20mm, 11 pis

1.10mm, 3 pis

1.40mm, 28 pis

1.30mm, 13 pis

1.50mm, 15 pis

1.60mm, 6 pis

Diamonds Wt-0.76 Cts.

Gold Wt-8.250 Gms.



Diamonds-
1.20mm, 32 pis
1.30mm, 27 pis

Diamonds Wt-0.43 Cts.
Gold Wt-5.720 Gms.



Diamonds-
1.30mm, 59 pis
1.20mm, 12 pis
1.40mm, 2 pis

Diamonds Wt-0.58 Cts.
Gold Wt-7.820 Gms.

Diamonds-
1.20mm, 13 pis
1.30mm, 44 pis
1.40mm, 11 pis
1.50mm, 3 pis

Diamonds Wt-0.60 Cts.
Gold Wt-3.520 Gms.



Diamonds-
1.50mm, 3pis.
1.40mm, 28pis.
1.30mm, 34pis.
1.20mm, 28pis.
1.10mm, 12pis.
1.00mm, 6pis.

Diamonds Wt- 0.86 Cts.
Gold Wt- 6.680 Gms.





Diamonds-
1.30mm, 41pis.
1.20mm, 1pis.
1.10mm, 6pis.
1.00mm, 4pis.

Diamonds Wt- 0.39 Cts.
Gold Wt- 3.375 Gms.

Diamonds-
1.20mm, 44pis.
1.40mm, 56pis.
1.10mm, 30pis.
1.50mm, 2pis.
1.30mm, 50pis.

Diamonds Wt- 1.40 Cts.
Gold Wt- 7.470 Gms.





Diamonds-
1.30mm, 54pis.
1.20mm, 22pis.
1.40mm, 4pis.

Diamonds Wt- 0.63 Cts.
Gold Wt- 2.860 Gms.



Diamonds-
1.30mm, 64pis.
1.40mm, 9pis.
1.20mm, 8pis.
1.10mm, 6pis.

Diamonds Wt- 0.72 Cts.
Gold Wt- 4.290 Gms.



Diamonds-

1.40mm, 20pis.

1.50mm, 7pis.

1.30mm, 25pis.

1.60mm, 2pis.

1.10mm, 9pis.

1.20mm, 14pis.

1.00mm, 2pis.

Diamonds Wt- 0.69 Cts.

Gold Wt- 4.194 Gms.

Diamonds-
1.60mm, 10pis.
1.30mm, 4pis.
1.40mm, 7pis.
1.20mm, 43pis.
1.10mm, 12pis.
1.50mm, 1pis.

Diamonds Wt- 0.61 Cts.
Gold Wt- 3.900 Gms.



Diamonds-
1.30mm, 50pis.
1.40mm, 21pis.
1.20mm, 15pis.
1.50mm, 9pis.
1.60mm, 4pis.

Diamonds Wt- 0.89 Cts.
Gold Wt- 4.380 Gms.





Diamonds-
1.00mm, 55pis.
1.10mm, 16pis.
1.20mm, 34pis.
1.30mm, 3pis.
1.40mm, 1pis.

Diamonds Wt- 0.53 Cts.
Gold Wt- 3.042 Gms.



Diamonds-
1.20mm, 49pis.
1.30mm, 10pis.
1.40mm, 4pis.

Diamonds Wt- 0.44 Cts.
Gold Wt- 3.114 Gms.



Diamonds-
1.40mm, 23pis.
1.20mm, 24pis.
1.10mm, 11pis.
1.00mm, 24pis.
1.50mm, 6pis.
1.60mm, 4pis.
1.30mm, 19pis.

Diamonds Wt- 0.83 Cts.
Gold Wt- 6.540 Gms.

Diamonds-
1.30mm, 91pis.
1.20mm, 8pis.
1.40mm, 12pis.

Diamonds Wt- 0.93 Cts.
Gold Wt- 6.580 Gms.





Diamonds-
1.20mm, 7pis.
1.30mm, 32pis.
1.40mm, 28pis.
1.50mm, 10pis.

Diamonds Wt- 0.72 Cts.
Gold Wt- 3.990 Gms.



Diamonds-
1.20mm, 7pis.
1.30mm, 32pis.
1.40mm, 28pis.
1.50mm, 10pis.

Diamonds Wt- 0.72 Cts.
Gold Wt- 4.716 Gms.

Diamonds-
1.30mm, 51pis.
1.20mm, 23pis.
1.10mm, 10pis.
1.00mm, 30pis.
1.40mm, 3pis.
1.50mm, 1pis.

Diamonds Wt- 0.77 Cts.
Gold Wt- 5.283 Gms.



Diamonds-
1.00mm, 5pis.
1.10mm, 11pis.
1.20mm, 46pis.
1.30mm, 9pis.
1.40mm, 15pis.
1.50mm, 3pis.

Diamonds Wt- 0.64 Cts.
Gold Wt- 3.105 Gms.





Diamonds-
1.00mm, 9pis.
1.10mm, 20pis.
1.20mm, 13pis.
1.30mm, 17pis.
1.40mm, 14pis.
1.60mm, 1pis.
1.70mm, 2pis.

Diamonds Wt- 0.55 Cts.
Gold Wt- 3.220 Gms.

Diamonds-
1.00mm, 9pis.
1.20mm, 16pis.
1.30mm, 18pis.
1.50mm, 25pis.
1.40mm, 19pis.
1.60mm, 10pis.
1.10mm, 5pis.

Diamonds Wt- 0.97 Cts.
Gold Wt- 3.825 Gms.





Diamonds-
1.20mm, 24pis.
1.40mm, 11pis.
1.30mm, 31pis.
1.10mm, 20pis.
1.50mm, 1pis.
1.00mm, 2pis.

Diamonds Wt- 0.64 Cts.
Gold Wt- 4.050 Gms.



Diamonds-
1.60mm, 3pis.
1.50mm, 10pis.
1.30mm, 37pis.
1.00mm, 5pis.
1.20mm, 24pis.

Diamonds Wt- 0.66 Cts.
Gold Wt- 3.510 Gms.

Diamonds-
1.40mm, 2pis.
1.10mm, 17pis.
1.20mm, 33pis.
1.30mm, 35pis.

Diamonds Wt- 0.61 Cts.
Gold Wt- 3.700 Gms.



Diamonds-
1.40mm, 22pis.
1.50mm, 8pis.
1.30mm, 18pis.
1.20mm, 25pis.
1.60mm, 4pis.
1.10mm, 3pis.

Diamonds Wt- 0.71 Cts.
Gold Wt- 4.070 Gms.



Diamonds-
1.50mm, 12pis.
1.30mm, 10pis.
1.20mm, 78pis.
1.40mm, 9pis.

Diamonds Wt- 0.83 Cts.
Gold Wt- 5.814 Gms.





Diamonds-
1.30mm, 17pis.
1.20mm, 7pis.
1.40mm, 2pis.
1.00mm, 9pis.
1.10mm, 48pis.

Diamonds Wt- 0.48 Cts.
Gold Wt- 4.518 Gms.



Diamonds-
1.70mm, 4pis.
1.10mm, 10pis.
1.20mm, 35pis.
1.60mm, 2pis.
1.40mm, 2pis.
1.50mm, 2pis.
1.30mm, 10pis.

Diamonds Wt- 0.50 Cts.
Gold Wt- 4.518 Gms.

Diamonds-
1.00mm, 9pis.
1.10mm, 18pis.
1.20mm, 23pis.
1.30mm, 27pis.
1.40mm, 3pis.
1.50mm, 1pis.

Diamonds Wt- 0.54 Cts.
Gold Wt- 2.740 Gms.





Diamonds-
1.00mm, 1pis.
1.10mm, 7pis.
1.20mm, 16pis.
1.30mm, 31pis.

Diamonds Wt- 0.40 Cts.
Gold Wt- 2.860 Gms.

Diamonds-
2.00mm, 1pis.
1.60mm, 2pis.
1.50mm, 5pis.
1.30mm, 30pis.
1.20mm, 26pis.
1.10mm, 18pis.
1.00mm, 20pis.
1.40mm, 11pis.

Diamonds Wt- 0.81 Cts.
Gold Wt- 4.023 Gms.





Diamonds-
1.60mm, 2pis.
1.50mm, 12pis.
1.00mm, 10pis.
1.30mm, 31pis.

Diamonds Wt- 0.47 Cts.
Gold Wt- 2.862 Gms.

Diamonds-
1.60mm, 2pis.
1.50mm, 12pis.
1.00mm, 10pis.
1.30mm, 31pis.

Diamonds Wt- 0.47 Cts.
Gold Wt- 2.860 Gms.



Diamonds-
1.60mm, 2pis.
1.40mm, 24pis.
1.50mm, 3pis.
1.30mm, 22pis.
1.20mm, 14pis.
1.10mm, 10pis.

Diamonds Wt- 0.64 Cts.
Gold Wt- 4.023 Gms.





Diamonds-
1.20mm, 26pis.
1.10mm, 36pis.
1.00mm, 1pis.
1.40mm, 1pis.

Diamonds Wt- 0.36 Cts.
Gold Wt- 2.900 Gms.



Diamonds-
1.40mm, 51pis.
1.30mm, 63pis.
1.50mm, 20pis.

Diamonds Wt- 1.29 Cts.
Gold Wt- 6.780 Gms.



Diamonds-
1.80mm, 1pis.
1.70mm, 10pis.
1.40mm, 12pis.
1.30mm, 24pis.
1.20mm, 40pis.

Diamonds Wt- 0.79 Cts.
Gold Wt- 4.536 Gms.



Diamonds-
1.30mm, 36pis.
1.20mm, 10pis.
1.10mm, 22pis.
1.00mm, 11pis.
1.40mm, 7pis.

Diamonds Wt- 0.58 Cts.
Gold Wt- 5.490 Gms.



Diamonds-
1.40mm, 2pis.
1.50mm, 16pis.
1.20mm, 13pis.
1.30mm, 17pis.
1.10mm, 16pis.
1.00mm, 13pis.

Diamonds Wt- 57 Cts.
Gold Wt- 4.650 Gms.



Diamonds-
1.10mm, 3pis.
1.20mm, 5pis.
1.30mm, 23pis.
1.40mm, 36pis.
1.50mm, 36pis.
1.60mm, 4pis.

Diamonds Wt- 1.12 Cts.
Gold Wt- 6.849 Gms.



Diamonds-
1.40mm, 10pis.
1.30mm, 12pis.
1.50mm, 3pis.
1.20mm, 70pis.
1.60mm, 2pis.
1.00mm, 1pis.

Diamonds Wt- 0.73 Cts.
Gold Wt- 5.420 Gms.





Diamonds-
2.00mm, 1pis.
1.00mm, 60pis.
1.10mm, 66pis.
1.30mm, 54pis.
1.50mm, 3pis.
1.40mm, 3pis.

Diamonds Wt- 1.35 Cts.
Gold Wt- 7.632 Gms.



Diamonds-
1.40mm, 37 pis
1.50mm, 2 pis
1.30mm, 28 pis
1.20mm, 8 pis

Diamonds Wt-0.69 Cts.
Gold Wt-4.032 Gms.



Diamonds-
1.40mm, 18 pis
1.00mm, 56 pis
1.10mm, 46 pis
1.20mm, 9 pis

Diamonds Wt-0.68 Cts.
Gold Wt-5.470 Gms.



Diamonds-
1.40mm, 85 pis
1.30mm, 1 pis

Diamonds Wt-0.88 Cts.
Gold Wt-6.750 Gms.



Diamonds-
1.40mm, 4 pis
1.30mm, 40 pis
1.50mm, 4 pis
1.20mm, 9 pis
1.60mm, 2 pis

Diamonds Wt-0.51 Cts.
Gold Wt-3.717 Gms.



Diamonds-
1.40mm, 11 pis
1.30mm, 20 pis
1.50mm, 11 pis

Diamonds Wt-0.42 Cts.
Gold Wt-3.267 Gms.



Diamonds-
1.50mm, 42 pis
1.40mm, 47 pis
1.30mm, 37 pis
1.20mm, 13 pis
1.10mm, 2 pis
1.00mm, 2 pis

Diamonds Wt-1.42 Cts.
Gold Wt-6.075 Gms.



Diamonds-
1.10mm, 44 pis
1.20mm, 88 pis
1.30mm, 28 pis
1.00mm, 2 pis
1.40mm, 2 pis

Diamonds Wt-1.17 Cts.
Gold Wt-5.076 Gms.



Diamonds-
1.20mm, 40 pis
1.30mm, 140 pis
1.40mm, 20 pis

Diamonds Wt-1.62 Cts.
Gold Wt-8.000 Gms.



Diamonds-
1.20mm, 4 pis
1.30mm, 2 pis
1.10mm, 2 pis

Diamonds Wt-0.05 Cts.
Gold Wt-2.115 Gms.



Diamonds-
1.30mm, 14 pis
1.5 0mm, 13 pis

Diamonds Wt-0.27 Cts.
Gold Wt-2.070 Gms.



Diamonds-
1.20mm, 64 pis
1.1 0mm, 3 pis
1.0 0mm, 1 pis
1.30mm, 1 pis

Diamonds Wt-0.44 Cts.
Gold Wt-4.190 Gms.



DIAMONDS-
1.20mm, 9 PIS
1.30mm, 11 PIS
1.40mm, 11 PIS
1.00mm, 4 PIS
1.10mm, 8 PIS

Diamonds Wt-0.32 Cts.
Gold Wt-5.580 Gms.



Diamonds-

1.10mm, 10 pis

1.20mm, 88 pis

1.00mm, 1 pis

Diamonds Wt- 0.63 Cts.

Gold Wt- 5.166 Gms.



Diamonds-
1.00mm, 6 pis
1.10mm, 10 pis
1.20mm, 20 pis
1.30mm, 48 pis
1.40mm, 18 pis
1.50mm, 10 pis
1.60mm, 10 pis

Diamonds Wt-1.06 Cts.
Gold Wt- 6.790 Gms.



Diamonds-

- 1.00mm, 2 pis
- 1.10mm, 2 pis
- 1.20mm, 10 pis
- 1.30mm, 17 pis
- 1.40mm, 65 pis
- 1.50mm, 7 pis
- 1.60mm, 2 pis

Diamonds Wt-1.01 Cts.
Gold Wt-4.032 Gms.



Diamonds-
1.20mm, 30 pis
1.00mm, 7 pis
1.10mm, 20 pis
1.30mm, 35 pis

Diamonds Wt-0.61 Cts.
Gold Wt-5.130 Gms.



Diamonds-
1.40mm, 18 pis
1.30mm, 56 pis
1.50mm, 4 pis
1.20mm, 10 pis
1.60mm, 1 pis

Diamonds Wt-0.78 Cts.
Gold Wt-5.229 Gms.



Diamonds-

- 1.10mm, 6 pis
- 1.30mm, 27 pis
- 1.20mm, 16 pis
- 1.40mm, 43 pis
- 1.50mm, 41 pis
- 1.60mm, 1 pis

Diamonds Wt-1.33 Cts.
Gold Wt-7.857 Gms.



Diamonds-
1.10mm, 62 pis
1.20mm, 76 pis
1.00mm, 6 pis
1.30mm, 1 pis

Diamonds Wt-0.82 Cts.
Gold Wt-5.472 Gms.



DIAMONDS-
1.40mm, 34 PIS
1.50mm, 4 PIS
1.30mm, 4 PIS

Diamonds Wt-0.43 Cts.
Gold Wt- 5.094 Gms.



Diamonds-
1.50mm, 24 pis
1.10mm, 24 pis

Diamonds Wt-0.51 Cts.
Gold Wt-3.690 Gms.



Diamonds-
1.50mm, 7 pis
1.30mm, 51 pis

Diamonds Wt-0.51 Cts.
Gold Wt-4.518 Gms.



Diamonds-
1.50mm, 18 pis
1.80mm, 1 pis
1.40mm, 2 pis
1.20mm, 12 pis

Diamonds Wt-0.35 Cts.
Gold Wt-5.000 Gms.



Diamonds-
1.10mm, 8 pis
1.20mm, 13 pis
1.30mm, 45 pis
1.50mm, 12 pis
1.40mm, 10 pis
1.00mm, 2 pis

Diamonds Wt-0.76 Cts.
Gold Wt-7.758 Gms.



Diamonds-

1.20mm, 19 pis
1.40mm, 43 pis
1.50mm, 34 pis
1.30mm, 33 pis
1.10mm, 12 pis
1.00mm, 1 pis

Diamonds Wt-1.33 Cts.
Gold Wt-7.299 Gms.



Diamonds-
1.20mm, 81 pis

Diamonds Wt-0.53 Cts.
Gold Wt-4.500 Gms.



Diamonds-

1.20mm, 14 pis

1.30mm, 4 pis

1.10mm, 16 pis

1.00mm, 20 pis

1.60mm, 35 pis

Diamonds Wt-0.73 Cts.

Gold Wt-4.010 Gms.



Diamonds-
1.50mm, 3 pis
1.20mm, 130 pis
1.10mm, 8 pis
1.00mm, 4 pis

Diamonds Wt-0.94 Cts.
Gold Wt-4.600 Gms.



Diamonds-
1.20mm, 10 pis
1.40mm, 16 pis
1.60mm, 10 pis
1.50mm, 12 pis

Diamonds Wt-0.53 Cts.
Gold Wt-5.140 Gms.



Diamonds-

1.50mm, 1 pis
1.10mm, 6 pis
1.00mm, 4 pis
1.20mm, 7 pis
1.30mm, 19 pis
1.40mm, 2 pis

Diamonds Wt-0.67 Cts.

Gold Wt-3.240 Gms.



Diamonds-
1.40mm, 9 pis
1.30mm, 25 pis
1.20mm, 50 pis
1.10mm, 7 pis
1.50mm, 1 pis

Diamonds Wt-0.67 Cts.
Gold Wt-4.329 Gms.



Diamonds-
1.20mm, 65 pis
1.10mm, 8 pis

Diamonds Wt-0.46 Cts.
Gold Wt-4.977 Gms.



Diamonds-
1.00mm, 34 pis
1.10mm, 55 pis
1.20mm, 14 pis
1.30mm, 1 pis

Diamonds Wt-0.49 Cts.
Gold Wt-5.040 Gms.



Diamonds-
1.30mm, 26 pis
1.20mm, 17 pis
1.40mm, 23 pis
1.50mm, 4 pis
1.10mm, 3 pis

Diamonds Wt-0.63 Cts.
Gold Wt-5.140 Gms.



Diamonds-

1.10mm, 16 pis

1.30mm, 34 pis

1.20mm, 29 pis

1.40mm, 8 pis

1.00mm, 2 pis

Diamonds Wt-0.64 Cts.

Gold Wt-6.255 Gms.



Diamonds-
1.60mm, 20 pis
1.50mm, 24 pis
1.30mm, 54 pis

Diamonds Wt-1.06 Cts.
Gold Wt-7.299 Gms.



Diamond

1.10mm, 4 pis

1.20mm, 3 pis

1.40mm, 9 pis

1.50mm, 14 pis

1.30mm, 16 pis

Diamonds Wt-0.44 Cts.

Gold Wt-5.337 Gms.



Diamonds-
1.50mm, 13 pis
1.20mm, 18 pis
1.40mm, 18 pis
1.30mm, 9 pis

Diamonds Wt-0.54 Cts.
Gold Wt-4.131 Gms.



Diamonds-
1.30mm, 4 pis
1.60mm, 1 pis
1.90mm, 4 pis

Diamonds Wt- 0.15 Cts.
Gold Wt-2.550 Gms.



Diamonds-
2.40mm, 3 pis

Diamonds Wt-0.16 Cts.
Gold Wt-2.770 Gms.



Diamonds-

- 1.60mm, 9 pis
- 1.50mm, 5 pis
- 1.20mm, 4 pis
- 1.10mm, 2 pis
- 1.40mm, 10 pis
- 1.70mm, 6 pis
- 1.30mm, 2 pis

Diamonds Wt-0.47 Cts.
Gold Wt-3.115 Gms.





Diamonds-
1.70mm, 3 pis

Diamonds Wt-0.06 Cts.
Gold Wt- 2.845 Gms.



Diamonds-
1.20mm, 8 pis
1.40mm, 2 pis

Diamonds Wt-0.07 Cts.
Gold Wt-3.570 Gms.



Diamonds-
2.80mm, 4 pis
1.10mm, 4 pis
1.20mm, 1 pis

Diamonds Wt-0.35 Cts.
Gold Wt-2.750 Gms.



Diamonds-
1.70mm. 7pis

Diamonds Wt-0.13 Cts.
Gold Wt-2.650 Gms.



Diamonds-
1.50mm, 3 pis
1.60mm, 5 pis

Diamonds Wt-0.13 Cts.
Gold Wt-2.800 Gms.



Diamonds-
1.50mm, 1 pis
1.60mm, 6 pis

Diamonds Wt-0.11 Cts.
Gold Wt-2.808 Gms.



Diamonds-
1.90mm, 1 pis
1.70mm, 9 pis

Diamonds Wt-0.19 Cts.
Gold Wt-2.890 Gms.



Diamonds-

1.80mm, 1 pis
1.30mm, 2 pis
1.20mm, 3 pis
1.60mm, 5 pis
1.90mm, 1 pis
1.50mm, 2 pis
2.00mm, 1 pis

Diamonds Wt-0.22 Cts.
Gold Wt-2.960 Gms.



Diamonds-
1.90mm, 4 pis

Diamonds Wt-0.10 Cts.
Gold Wt-2.390 Gms.



Diamonds-
1.60mm, 7 pis

Diamonds Wt-0.11 Cts.
Gold Wt-2.900 Gms.



Diamonds-
1.40mm, 2 pis
1.20mm, 6 pis
1.10mm, 6 pis
1.30mm, 5 pis
1.50mm, 1 pis
0.90mm, 1 pis

Diamonds Wt-0.15 Cts.
Gold Wt- 2.835 Gms.



Diamonds-
2.00mm, 6pis.
1.10mm, 23pis.
1.20mm, 7pis.
0.90mm, 4pis.

Diamonds Wt- 0.35 Cts.
Gold Wt- 3.660 Gms.



Diamonds-
1.60mm, 4 pis
1.50mm, 8 pis
1.40mm, 7 pis

Diamonds Wt-0.23 Cts.
Gold Wt- 1.830 Gms.



Diamonds-
2.50mm,4pis

Diamonds Wt-0.24 Cts.
Gold Wt-2.650 Gms.



Diamonds-
1.30mm, 3 pis
1.20mm, 5 pis
1.10mm, 4 pis
1.00mm, 5 pis
0.90mm, 2 pis
0.80mm, 3 pis

Diamonds Wt-0.11 Cts.
Gold Wt-1.810 Gms.



Diamonds-
1.50mm, 1 pis
1.60mm, 1 pis
1.70mm, 11 pis

Diamonds Wt- 0.23 Cts.
Gold Wt-2.690 Gms.



Diamonds-
1.60mm, 3 pis
1.40mm, 1 pis

Diamonds Wt-0.06 Cts.
Gold Wt-1.740 Gms.



Diamonds-
1.50mm, 7 pis

Diamonds Wt-0.09 Cts.
Gold Wt-2.220 Gms.



Diamonds-
1.20mm, 12 pis

Diamonds Wt-0.08 Cts.
Gold Wt-2.000 Gms.



Diamonds-
1.50mm, 2 pis
1.40mm, 6 pis
1.30mm, 4 pis

Diamonds Wt- 0.12 Cts.
Gold Wt-1.900 Gms.



Diamonds-
1.50mm, 7 pis

Diamonds Wt-0.09 Cts.
Gold Wt-2.500 Gms.



Diamonds-
2.00mm, 12 pis

Diamonds Wt-0.36 Cts.
Gold Wt-2.800 Gms.



Diamonds-
1.70mm, 9 pis

Diamonds Wt-0.17 Cts.
Gold Wt-2.700 Gms.



Diamonds-
1.00mm, 3 pis
1.10mm, 14 pis
1.20mm, 1 pis

Diamonds Wt-0.09 Cts.
Gold Wt-2.400 Gms.



Diamonds-
1.70mm, 6 pis
1.90mm, 1 pis
2.10mm, 1 pis

Diamonds Wt-0.17 Cts.
Gold Wt- 2.060 Gms.



Diamonds-
1.70mm, 6pis.
2.10mm, 1pis.
1.90mm, 1pis.

Diamonds Wt- 0.17 Cts.
Gold Wt- 2.370 Gms.



Diamonds-
1.40mm, 8pis.
1.50mm, 5pis.
1.30mm, 3pis.

Diamonds Wt- 0.17 Cts.
Gold Wt- 2.304 Gms.



Diamonds-
1.30mm, 2pis.
1.00mm, 6pis.
1.20mm, 7pis.
1.10mm, 1pis.

Diamonds Wt- 0.09 Cts.
Gold Wt- 1.920 Gms.



Diamonds-

0.80mm, 3pis.
1.00mm, 1pis.
1.10mm, 2pis.
1.30mm, 3pis.
1.50mm, 2pis.
1.60mm, 1pis.
1.40mm, 2pis.
1.20mm, 1pis.
0.90mm, 1pis.

Diamonds Wt- 0.11 Cts.
Gold Wt- 2.140 Gms.



Diamonds-
1.10mm, 1pis.
0.90mm, 1pis.
0.80mm, 1pis.
1.40mm, 8pis.
1.50mm, 3pis.
1.30mm, 5pis.
1.20mm, 4pis.

Diamonds Wt- 0.20 Cts.
Gold Wt- 1.890 Gms.



Diamonds-
1.60mm, 3pis.

Diamonds Wt- 0.05 Cts.
Gold Wt- 2.100 Gms.



Diamonds-
2.40mm, 3pis.

Diamonds Wt- 0.16 Cts.
Gold Wt- 2.230 Gms.



Diamonds-
1.30mm, 7pis.

Diamonds Wt- 0.07 Cts.
Gold Wt- 1.670 Gms.



Diamonds-
1.50mm, 3pis.

Diamonds Wt- 0.04 Cts.
Gold Wt- 1.680 Gms.



Diamonds-
1.80mm, 7pis.

Diamonds Wt- 0.15 Cts.
Gold Wt- 2.190 Gms.



Diamonds-
2.10mm, 2pis.

Diamonds Wt- 0.07 Cts.
Gold Wt- 2.340 Gms.



Diamonds-
1.20mm, 16pis.
1.30mm, 3pis.
1.10mm, 1pis.

Diamonds Wt- 0.13 Cts.
Gold Wt- 2.240 Gms.



Diamonds-
1.40mm, 2pis.
1.50mm, 2pis.
1.60mm, 2pis.

Diamonds Wt- 0.08 Cts.
Gold Wt- 1.620 Gms.



Diamonds-
1.10mm, 1pis.
1.20mm, 1pis.
1.30mm, 2pis.
1.40mm, 1pis.
1.50mm, 1pis.
1.00mm, 1pis.

Diamonds Wt- 0.05 Cts.
Gold Wt- 1.950 Gms.



Diamonds-
1.00mm, 3pis.
1.10mm, 1pis.
1.20mm, 5pis.

Diamonds Wt- 0.04 Cts.
Gold Wt- 1.740 Gms.



Diamonds-
2.50mm, 1pis.
1.80mm, 1pis.

Diamonds Wt- 0.14 Cts.
Gold Wt- 2.440 Gms.



Diamonds-
1.50mm, 5pis.
1.60mm, 2pis.
1.30mm, 2pis.
1.20mm, 4pis.

Diamonds Wt- 0.14 Cts.
Gold Wt- 2.050 Gms.



Diamonds-
2.70mm, 2pis.
2.50mm, 1pis.

Diamonds Wt- 0.21 Cts.
Gold Wt- 2.130 Gms.



Diamonds-
0.80mm, 3pis.
0.90mm, 2pis.
1.10mm, 2pis.
1.20mm, 7pis.
1.40mm, 1pis.
1.00mm, 1pis.

Diamonds Wt- 0.08 Cts.
Gold Wt- 1.870 Gms.



Diamonds-
1.30mm, 8pis.
1.50mm, 4pis.
1.40mm, 4pis.

Diamonds Wt- 0.16 Cts.
Gold Wt- 2.520 Gms.



Diamonds-

1.40mm, 2pis.

1.30mm, 9pis.

1.20mm, 16pis.

0.90mm, 4pis.

1.00mm, 3pis.

1.10mm, 3pis.

Diamonds Wt- 0.24 Cts.

Gold Wt- 2.680 Gms.



Diamonds-
1.20mm, 7pis.
1.40mm, 5pis.
1.30mm, 14pis.

Diamonds Wt- 0.21 Cts.
Gold Wt- 2.520 Gms.



Diamonds-
1.40mm, 6pis.
1.50mm, 13pis.

Diamonds Wt- 0.23 Cts.
Gold Wt- 1.950 Gms.



Diamonds-
1.70mm, 1pis.
1.30mm, 1pis.
1.20mm, 20pis.
1.40mm, 3pis.
1.10mm, 4pis.

Diamonds Wt- 0.21 Cts.
Gold Wt- 1.800 Gms.



Diamonds-
1.50mm, 2pis.
1.10mm, 16pis.
1.00mm, 4pis.
1.20mm, 16pis.
0.90mm, 6pis.

Diamonds Wt- 0.23 Cts.
Gold Wt- 2.480 Gms.



Diamonds-
1.10mm, 5pis.
0.90mm, 1pis.
1.10mm, 2pis.
1.30mm, 2pis.
1.20mm, 3pis.

Diamonds Wt- 0.07 Cts.
Gold Wt- 2.900 Gms.



Diamonds-
1.30mm, 8pis.
1.40mm, 2pis.
1.50mm, 3pis.
1.60mm, 1pis.

Diamonds Wt- 0.14 Cts.
Gold Wt- 2.024 Gms.



Diamonds-
1.10mm, 11pis.
1.40mm, 2pis.
1.20mm, 7pis.
1.30mm, 2pis.
1.00mm, 1pis.

Diamonds Wt- 0.14 Cts.
Gold Wt- 2.550 Gms.



Diamonds-
1.10mm, 2pis.
1.20mm, 18pis.

Diamonds Wt- 0.13 Cts.
Gold Wt- 2.480 Gms.



Diamonds-
1.80mm, 3pis.
1.60mm, 3pis.

Diamonds Wt- 0.11 Cts.
Gold Wt- 1.809 Gms.

Diamonds-
2.50mm, 6pis.
3.00mm, 1pis.

Diamonds Wt- 0.45 Cts.
Gold Wt- 3.460 Gms.





Diamonds-
1.90mm, 7pis.

Diamonds Wt- 0.18 Cts.
Gold Wt- 2.574 Gms.



Diamonds-
2.00mm, 7pis.

Diamonds Wt- 0.21 cts.
Gold Wt- 1.998 Gms.



Diamonds-
1.20mm, 2pis.
1.30mm, 1pis.
1.40mm, 2pis.
1.50mm, 1pis.
1.60mm, 7pis.
1.00mm, 1pis.

Diamonds Wt- 0.17 Cts.
Gold Wt- 2.470 Gms.



Diamonds-
1.70mm, 3pis.
1.50mm, 1pis.
1.60mm, 1pis.
1.20mm, 3pis.
1.30mm, 2pis.
1.00mm, 3pis.

Diamonds Wt- 0.11 Cts.
Gold Wt- 2.043 Gms.



Diamonds-
1.20mm, 19pis.

Diamonds Wt- 0.12 Cts.
Gold Wt- 2.925 Gms.



Diamonds-
1.20mm, 4pis.
1.50mm, 6pis.
1.30mm, 4pis.
1.60mm, 2pis.
1.80mm, 1pis.
1.70mm, 2pis.
1.40mm, 2pis.

Diamonds Wt- 0.24 Cts.
Gold Wt- 2.370 Gms.



Diamonds-
1.20mm, 11pis.

Diamonds Wt- 0.07 Cts.
Gold Wt- 1.575 Gms.



Diamonds-

1.10mm, 6pis.

1.20mm, 6pis.

1.30mm, 10pis.

1.40mm, 4pis.

1.50mm, 2pis.

1.60mm, 2pis.

1.00mm, 4pis.

Diamonds Wt- 0.26 Cts.

Gold Wt- 3.042 Gms.



Diamonds-

1.20mm, 9pis.

1.40mm, 6pis.

1.10mm, 7pis.

1.50mm, 6pis.

0.90mm, 2pis.

1.30mm, 6pis.

1.00mm, 1pis.

Diamonds Wt- 0.29 Cts.

Gold Wt- 1.820 Gms.



Diamonds-
2.00mm, 2pis.
1.20mm, 66pis.
1.30mm, 22pis.

Diamonds Wt- 0.33 Cts.
Gold Wt- 3.888 Gms.



Diamonds-
1.20mm, 112 pis
1.30mm, 18 pis
1.10mm, 34 pis
1.00mm, 10 pis

Diamonds Wt-1.08 Cts.
Gold Wt-4.833 Gms.



Diamonds-
1.30mm, 10 pis
1.10mm, 6 pis
1.20mm, 6 pis
1.40mm, 6 pis
1.50mm, 1 pis

Diamonds Wt-0.23 Cts.
Gold Wt-2.268 Gms.



Diamonds-
1.30mm, 15 pis
1.10mm, 18 pis
1.20mm, 23 pis

Diamonds Wt-0.36 Cts.
Gold Wt-2.682 Gms.



Diamonds-
1.00mm, 1 pis
1.20mm, 65 pis
1.30mm, 24 pis
1.40mm, 6 pis
1.70mm, 6 pis

Diamonds Wt-0.78 Cts.
Gold Wt-5.247 Gms.



Diamonds-
1.30mm, 90 pis
1.20mm, 48 pis
1.80mm, 1 pis

Diamonds Wt-1.08 Cts.
Gold Wt-6.440 Gms.



Diamonds-
1.30mm, 23 pis
1.20mm, 8 pis
1.10mm, 6 pis

Diamonds Wt-0.27 Cts.
Gold Wt-3.321 Gms.



Diamonds-
1.30mm, 17 pis
1.20mm, 6 pis
1.30mm, 24 pis

Diamonds Wt-0.41 Cts.
Gold Wt-3.620 Gms.



Diamonds-
1.20mm, 53 pis
1.10mm, 4 pis
1.30mm, 15 pis

Diamonds Wt-0.49 Cts.
Gold Wt-2.700 Gms.



Diamonds-
1.50mm, 1 pis
1.30mm, 39 pis
1.40mm, 5 pis
1.20mm, 20 pis

Diamonds Wt-0.52 Cts.
Gold Wt-3.950 Gms.



Diamonds-
1.30mm, 34 pis
1.50mm, 1 pis
1.20mm, 18 pis
1.10mm, 20 pis

Diamonds Wt-0.47 Cts.
Gold Wt-3.411 Gms.



Diamonds-
1.30mm, 39 pis
1.20mm, 14 pis
1.10mm, 1 pis

Diamonds Wt-0.42 Cts.
Gold Wt-2.889 Gms.



Diamonds-
1.30mm, 56 pis
1.20mm, 4 pis

Diamonds Wt-0.49 Cts.
Gold Wt-3.231 Gms.



Diamonds-
1.30mm, 22 pis
1.20mm, 12 pis
1.10mm, 4 pis
1.60mm, 1 pis

Diamonds Wt-0.29 Cts.
Gold Wt-3.530 Gms.



Diamonds-
1.40mm, 21 pis
1.30mm, 2 pis

Diamonds Wt-0.23 Cts.
Gold Wt-1.881 Gms.



Diamonds-
1.20mm, 16 pis
1.30mm, 23 pis
1.50mm, 1 pis
1.00mm, 1 pis

Diamonds Wt-0.31 Cts.
Gold Wt-2.88 Gms.



Diamonds-
1.40mm, 21 pis
1.30mm, 2 pis

Diamonds Wt-0.23 Cts.
Gold Wt-2.214 Gms.



Diamonds-
1.30mm, 40 pis
1.20mm, 2 pis

Diamonds Wt-0.34 Cts.
Gold Wt-3.204 Gms.



Diamonds-
1.20mm, 22 pis
2.00mm, 1 pis

Diamonds Wt-0.17 Cts.
Gold Wt-2.070 Gms.



Diamonds-
1.20mm, 27 pis
1.40mm, 10 pis
1.10mm, 9 pis
1.30mm, 25 pis

Diamonds Wt-0.53 Cts.
Gold Wt-4.600 Gms.



Diamonds-
1.30mm, 60 pis
1.20mm, 15 pis
1.10mm, 14 pis
1.00mm, 2 pis

Diamonds Wt-0.67 Cts.
Gold Wt-2.970 Gms.



Diamonds-
1.20mm, 52 pis
1.10mm, 18 pis
1.40mm, 7 pis
1.40mm, 7 pis
1.30mm, 32 pis

Diamonds Wt-0.76 Cts.
Gold Wt-2.970 Gms.



Diamonds-
1.40mm, 6 pis
1.20mm, 1 pis
1.30mm, 22 pis

Diamonds Wt-0.25 Cts.
Gold Wt-3.600 Gms.



Diamonds-
1.40mm, 3 pis
1.50mm, 1 pis
1.30mm, 3 pis
1.10mm, 6 pis
1.20mm, 16 pis

Diamonds Wt-0.20 Cts.
Gold Wt-2.880 Gms.



Diamonds-
1.30mm, 39 pis
1.20mm, 44 pis
1.10mm, 10 pis
1.00mm, 2 pis
1.40mm, 10 pis

Diamonds Wt-0.77 Cts.
Gold Wt-4.077 Gms.



Diamonds-
1.30mm, 20 pis
1.20mm, 11 pis
1.10mm, 6 pis

Diamonds Wt-0.27 Cts.
Gold Wt-2.520 Gms.



Diamonds-
1.30mm, 28 pis
1.20mm, 16 pis
1.10mm, 5 pis
1.00mm, 1 pis

Diamonds Wt-0.36 Cts.
Gold Wt-2.232 Gms.



Diamonds-
1.30mm, 12 pis
1.40mm, 10 pis
1.00mm, 4 pis
1.10mm, 8 pis
1.20mm, 10 pis

Diamonds Wt-0.32 Cts.
Gold Wt-3.726 Gms.



Diamonds-
1.20mm, 14 pis
1.30mm, 2 pis
1.40mm, 18 pis
1.10mm, 4 pis

Diamonds Wt-0.31 Cts.
Gold Wt-2.538 Gms.



Diamonds-
1.30mm, 102 pis
1.40mm, 37 pis
1.20mm, 55 pis
1.10mm, 14 pis
1.00mm, 1 pis

Diamonds Wt-1.65 Cts.
Gold Wt-7.713 Gms.



Diamonds-
1.20mm, 47 pis
1.30mm, 49 pis
1.10mm, 18 pis
1.00mm, 2 pis

Diamonds Wt-0.81 Cts.
Gold Wt-4.320 Gms.



Diamonds-
1.40mm, 25 pis
1.30mm, 14 pis
1.20mm, 74 pis
1.10mm, 8 pis

Diamonds Wt-0.89 Cts.
Gold Wt-5.886 Gms.



Diamonds-
1.30mm, 12 pis
1.50mm, 4 pis
1.20mm, 10 pis
1.60mm, 2 pis

Diamonds Wt-0.25 Cts.
Gold Wt-2.430 Gms.



Diamonds-
1.20mm, 74 pis
1.30mm, 17 pis

Diamonds Wt-0.62 Cts.
Gold Wt-4.707 Gms.



Diamonds-
1.30mm, 1 pis
1.20mm, 29 pis

Diamonds Wt-0.20 Cts.
Gold Wt-1.800 Gms.



Diamonds-
1.30mm, 5 pis
1.40mm, 19 pis

Diamonds Wt-0.24 Cts.
Gold Wt-2.484 Gms.



Diamonds-
1.30mm, 21 pis
1.20mm, 16 pis
1.50mm, 1 pis

Diamonds Wt-0.29 Cts.
Gold Wt-2.151 Gms.



Diamonds-
1.50mm, 10 pis
1.40mm, 20 pis
1.30mm, 4 pis
1.20mm, 8 pis

Diamonds Wt-0.42 Cts.
Gold Wt-2.646 Gms.



Diamonds-
1.30mm, 23 pis
1.10mm, 8 pis
1.40mm, 1 pis
1.60mm, 8 pis

Diamonds Wt-0.54 Cts.
Gold Wt-3.231 Gms.



Diamonds-
1.30mm, 22 pis
1.20mm, 3 pis
1.10mm, 2 pis
1.50mm, 1 pis

Diamonds Wt-0.22 Cts.
Gold Wt-2.358 Gms.



Diamonds-
1.60mm, 1 pis
1.20mm, 7 pis
1.30mm, 17 pis

Diamonds Wt-0.20 Cts.
Gold Wt-2.844 Gms.



Diamonds-
1.20mm, 16 pis
1.10mm, 12 pis
1.40mm, 10 pis

Diamonds Wt-0.27 Cts.
Gold Wt-3.591 Gms.



Diamonds-
1.10mm, 44 pis
1.30mm, 32 pis
1.20mm, 8 pis

Diamonds Wt-0.53 Cts.
Gold Wt-2.466 Gms.



Diamonds-
1.30mm, 28 pis

Diamonds Wt- 0.23 Cts.
Gold Wt- 3.240 Gms.



Diamonds-
1.40mm, 21 pis
1.60mm, 14 pis

Diamonds Wt-0.43 Cts.
Gold Wt-2.358 Gms.



Diamonds-
1.50mm, 27 pis
1.60mm, 1 pis

Diamonds Wt-0.36 Cts.
Gold Wt-2.799 Gms.



Diamonds-
1.30mm, 30 pis
1.40mm, 34 pis
1.20mm, 20 pis
1.10mm, 6 pis

Diamonds Wt-0.76 Cts.
Gold Wt-6.030 Gms.



Diamonds-
1.30mm, 6 pis
1.20mm, 18 pis
1.10mm, 7 pis
1.40mm, 1 pis

Diamonds Wt-0.21 Cts.
Gold Wt-2.583 Gms.



Diamonds-
1.30mm, 32 pis
1.20mm, 18 pis
1.10mm, 6 pis

Diamonds Wt-0.41 Cts.
Gold Wt-3.456 Gms.



Diamonds-
1.30mm, 15 pis
1.20mm, 4 pis

Diamonds Wt-0.15 Cts.
Gold Wt-2.500 Gms.



Diamonds-
1.30mm, 46 pis
1.20mm, 18 pis
1.40mm, 32 pis
1.10mm, 10 pis
1.00mm, 10 pis

Diamonds Wt-0.31 Cts.
Gold Wt-3.177 Gms.



Diamonds-
1.30mm, 23 pis
1.10mm, 17 pis
1.20mm, 21 pis
1.40mm, 11 pis
1.00mm, 7 pis

Diamonds Wt-0.55 Cts.
Gold Wt-4.886 Gms.



Diamonds-
1.40mm, 36 pis
1.30mm, 61 pis
1.20mm, 24 pis
1.10mm, 1 pis
1.00mm, 1 pis

Diamonds Wt-1.04 Cts.
Gold Wt-4.770 Gms.



Diamonds-
1.20mm, 28 pis
1.10mm, 37 pis
1.30mm, 24 pis
1.00mm, 7 pis
1.40mm, 8 pis

Diamonds Wt-0.67 Cts.
Gold Wt-4.338 Gms.



Diamonds-
1.10mm, 49 pis
1.20mm, 39 pis
1.30mm, 18 pis
1.40mm, 14 pis
1.00mm, 1 pis

Diamonds Wt-0.79 Cts.
Gold Wt-3.762 Gms.



Diamonds-
1.80mm, 14 pis
1.20mm, 126 pis

Diamonds Wt-1.10 Cts.
Gold Wt-8.037 Gms.



Diamonds-
1.10mm, 81 pis
1.20mm, 27 pis
1.00mm, 54 pis
1.30mm, 15 pis

Diamonds Wt-0.91 Cts.
Gold Wt-6.489 Gms.



Diamonds-

1.50mm, 9pis.

1.40mm, 9pis.

1.20mm, 9pis.

1.60mm, 10pis.

1.10mm, 5pis.

1.30mm, 6pis.

Diamonds Wt- 0.49 Cts.

Gold Wt- 5.850 Gms.



Diamonds-
2.00mm, 1pis.
1.30mm, 6pis.
1.40mm, 13pis.
1.00mm, 5pis.
1.10mm, 8pis.
1.20mm, 4pis.

Diamonds Wt- 0.30 Cts.
Gold Wt- 3.700 Gms.



Diamonds-
1.20mm, 9pis.
1.30mm, 4pis.
1.40mm, 14pis.

Diamonds Wt- 0.24 Cts.
Gold Wt- 4.500 Gms.



Diamonds-
1.40mm, 15pis.
1.30mm, 4pis.
1.20mm, 4pis.

Diamonds Wt- 0.21 Cts.
Gold Wt- 3.225Gms.



Diamonds-
1.40mm, 9pis.
1.50mm, 2pis.
1.20mm, 4pis.

Diamonds Wt- 0.14 Cts.
Gold Wt- 3.000 Gms.



Diamonds-
1.60mm, 1pis.
1.30mm, 20pis.
1.20mm, 22pis.
1.10mm, 8pis.

Diamonds Wt- 0.36 Cts.
Gold Wt- 2.930 Gms.



Diamonds-
1.20mm, 12pis.
1.10mm, 6pis.
1.30mm, 10pis.
1.40mm, 14pis.

Diamonds Wt- 0.33 Cts.
Gold Wt- 2.980 Gms.

Diamonds-
1.30mm, 13pis.
1.10mm, 2pis.
1.50mm, 2pis.
1.20mm, 8pis.
1.00mm, 54pis.
1.60mm, 1pis.
1.40mm, 3pis.

Diamonds Wt- 0.44 Cts.
Gold Wt- 4.360 Gms.





Diamonds-
1.00mm, 48pis.
1.10mm, 2pis.
0.90mm, 8pis.
1.50mm, 4pis.
1.60mm, 2pis.
1.30mm, 1pis.
1.70mm, 1pis.

Diamonds Wt- 0.32 Cts.
Gold Wt- 4.880 Gms.



Diamonds-
1.50mm, 1pis.
1.80mm, 1pis.
1.10mm, 2pis.
1.50mm, 2pis.
1.70mm, 1pis.
1.40mm, 2pis.
1.60mm, 2pis.

Diamonds Wt- 0.13 Cts.
Gold Wt- 3.530 Gms.



Diamonds-
1.30mm, 22pis.
1.40mm, 6pis.
1.20mm, 17pis.
1.60mm, 1pis.
1.80mm, 1pis.

Diamonds Wt- 0.39 Cts.
Gold Wt- 3.420 Gms.



Diamonds-
1.20mm, 27pis.
1.40mm, 4pis.
1.50mm, 2pis.

Diamonds Wt- 0.24 Cts.
Gold Wt- 3.000 Gms.



Diamonds-
1.30mm, 6pis.
1.20mm, 16pis.
1.60mm, 2pis.

Diamonds Wt- 0.17 Cts.
Gold Wt- 3.930 Gms.



Diamonds-
1.40mm, 36pis.
1.20mm, 24pis.
1.50mm, 6pis.
1.10mm, 24pis.
1.30mm, 12pis.
0.90mm, 18pis.

Diamonds Wt- 0.87 Cts.
Gold Wt- 6.300 Gms.



Diamonds-

2.00mm, 1pis.

1.40mm, 12pis.

1.30mm, 16pis.

1.20mm, 11pis.

1.10mm, 7pis.

Diamonds Wt- 0.37 Cts.

Gold Wt- 3.420 Gms.



Diamonds-
1.20mm, 37pis.
1.40mm, 9pis.
1.30mm, 3pis.
1.50mm, 2pis.

Diamonds Wt- 0.38 Cts.
Gold Wt- 3.720 Gms.

Diamonds-
1.20mm, 23pis.
1.30mm, 23pis.
0.90mm, 3pis.
1.40mm, 2pis.
1.10mm, 5pis.
1.00mm, 3pis.

Diamonds Wt- 0.40 Cts.
Gold Wt- 4.190 Gms.





Diamonds-
1.20mm, 49pis.
1.40mm, 3pis.
1.50mm, 1pis.
1.30mm, 8pis.

Diamonds Wt- 43 Cts.
Gold Wt- 3.900 Gms.



Diamonds-
1.30mm, 16pis.
1.20mm, 58pis.
1.10mm, 10pis.
1.50mm, 1pis.
1.40mm, 3pis.

Diamonds Wt- 0.60 Cts.
Gold Wt- 5.000 Gms.



Diamonds-

1.20mm, 34pis.

1.40mm, 8pis.

1.00mm, 20pis.

1.10mm, 12pis.

1.30mm, 8pis.

1.50mm, 12pis.

Diamonds Wt- 0.65 Cts.

Gold Wt- 3.630 Gms.



Diamonds-
1.00mm, 36pis.
0.90mm, 8pis.
1.10mm, 6pis.

Diamonds Wt- 0.19 Cts.
Gold Wt- 3.080 Gms.



Diamonds-
1.30mm, 10pis.
1.00mm, 4pis.
1.20mm, 30pis.
1.10mm, 2pis.

Diamonds Wt- 0.30 Cts.
Gold Wt- 3.114 Gms.



Diamonds-
1.10mm, 36pis.
1.00mm, 2pis.
1.20mm, 26pis.

Diamonds Wt- 0.42 Cts.
Gold Wt- 3.700 Gms.



Diamonds-
1.40mm, 8pis.
1.20mm, 23pis.
1.10mm, 8pis.

Diamonds Wt- 0.27 Cts.
Gold Wt- 3.465 Gms.



Diamonds-
1.10mm, 33pis.
1.20mm, 12pis.

Diamonds Wt- 0.24 Cts.
Gold Wt- 2.934 Gms.



Diamonds-
1.40mm, 5pis.
1.20mm, 11pis.
1.10mm, 8pis.
1.30mm, 12pis.
1.00mm, 3pis.
1.50mm, 3pis.

Diamonds Wt- 0.31 Cts.
Gold Wt- 4.050 Gms.



Diamonds-
1.70mm, 4pis.
1.60mm, 2pis.
1.80mm, 1pis.
1.20mm, 36pis.
1.10mm, 16pis.

Diamonds Wt- 0.42 Cts.
Gold Wt- 4.932 Gms.



Diamonds-
1.70mm, 5pis.
1.20mm, 46pis.
1.60mm, 2pis.

Diamonds Wt- 0.40 Cts.
Gold Wt- 2.826 Gms.



Diamonds-
1.20mm, 4pis.
1.10mm, 50pis.
1.60mm, 4pis.
1.30mm, 2pis.

Diamonds Wt- 0.37 Cts.
Gold Wt- 3.717 Gms.

Diamonds-
1.50mm, 6pis.
1.20mm, 21pis.
1.30mm, 12pis.
1.10mm, 4pis.
1.60mm, 3pis.
1.40mm, 4pis.

Diamonds Wt- 0.42 Cts.
Gold Wt- 3.060 Gms.





Diamonds-
1.20mm, 33pis.

Diamonds Wt- 0.20 Cts.
Gold Wt- 3.726 Gms.



Diamonds-
1.20mm, 25pis.

Diamonds Wt- 0.16 Cts.
Gold Wt- 2.961 Gms.

Diamonds-
1.50mm, 1pis.
1.20mm, 20pis.
1.10mm, 8pis.
1.30mm, 11pis.

Diamonds Wt- 0.27 Cts.
Gold Wt- 2.403 Gms.



Diamonds-
1.60mm, 1pis.
1.80mm, 1pis.
1.70mm, 1pis.
1.20mm, 17pis.
1.30mm, 16pis.
1.10mm, 3pis.

Diamonds Wt- 0.31 Cts.
Gold Wt- 2.970 Gms.





Diamonds-
1.20mm, 31pis.
1.10mm, 2pis.
1.90mm, 3pis.
1.40mm, 4pis.
1.30mm, 3pis.

Diamonds Wt- 0.35 Cts.
Gold Wt- 3.717 Gms.



DIAMONDS-
1.20MM, 12 PIS
1.30MM, 40 PIS
1.10MM, 7 PIS

Diamonds Wt-0.44 Cts.
Gold Wt-2.450 Gms.



Diamonds-
1.30mm, 35 pis
1.20mm, 14 pis
1.50mm, 3pis
1.40mm, 15 pis

Diamonds Wt-0.57 Cts.
Gold Wt-6.210 Gms.



Diamonds-
1.30mm, 15 pis
1.40mm, 11 pis
1.50mm, 10 pis
1.20mm, 51 pis
1.10mm, 3 pis
1.60mm, 3 pis

Diamonds Wt-0.76 Cts.
Gold Wt-5.420 Gms.



Diamonds-
1.30mm, 29 pis
1.20mm, 19 pis
1.40mm, 3 pis
1.50mm, 2 pis
1.10mm, 4 pis

Diamonds Wt-0.44 Cts.
Gold Wt-4.200 Gms.



Diamonds-
1.30mm, 35 pis
1.20mm, 6 pis
1.50mm, 2 pis
1.60mm, 1 pis

Diamonds Wt-0.36 Cts.
Gold Wt- 3.400 Gms.



Diamonds-

1.30mm, 37 pis
1.40mm, 37 pis
1.20mm, 15 pis
1.50mm, 5 pis
1.10mm, 7 pis
1.00mm, 8 pis

Diamonds Wt-0.90 Cts.
Gold Wt-3.850 Gms.



Diamonds-
1.20mm, 36 pis
1.30mm, 21 pis
1.40mm, 32 pis
1.50mm, 22 pis
1.60mm, 20 pis
1.80mm, 8 pis

Diamonds Wt-1.34 Cts.
Gold Wt-8.450 Gms.



Diamonds-
1.50mm, 10 pis
1.40mm, 1 pis
1.20mm, 36 pis

Diamonds Wt-0.37 Cts.
Gold Wt-4.340 Gms.



Diamonds-

1.60mm, 1 pis

1.10mm, 6 pis

1.20mm, 13 pis

1.30mm, 13 pis

1.40mm, 17 pis

Diamonds Wt-0.41 Cts.

Gold Wt-3.200 Gms.



Diamonds-
1.50mm, 4 pis
1.20mm, 6 pis
1.10mm, 2 pis
1.30mm, 14 pis
1.40mm, 2 pis

Diamonds Wt-0.24 Cts.
Gold Wt-5.640 Gms.



Diamonds-
1.50mm, 17 pis
1.40mm, 20 pis
1.30mm, 28 pis
1.20mm, 16 pis

Diamonds Wt-0.75 Cts.
Gold Wt-4.550 Gms.



Diamonds-

1.10mm, 29 pis

1.00mm, 8 pis

1.20mm, 35 pis

1.40mm, 15 pis

1.30mm, 107pis

Diamonds Wt-1.44 Cts.

Gold Wt-8.00 Gms.



Diamonds-
1.20mm, 48 pis

Diamonds Wt- 0.31 Cts.
Gold Wt-8.700 Gms.



Diamonds-
1.40mm, 27 pis
1.30mm, 30 pis
1.20mm, 26 pis
1.10mm, 16 pis
1.00mm, 4 pis

Diamonds Wt-0.79 Cts.
Gold Wt- 5.500 Gms.



Diamonds-
1.10mm, 8 pis
1.60mm, 1 pis
1.30mm, 22 pis

Diamonds Wt-0.22 Cts.
Gold Wt-6.200 Gms.



Diamonds-

- 1.40mm, 9 pis
- 1.30mm, 26 pis
- 1.10mm, 15 pis
- 1.20mm, 19 pis
- 1.30mm, 25 pis
- 1.40mm, 8 pis
- 1.50mm, 9 pis

Diamonds Wt-0.61 Cts.

Gold Wt-3.400 Gms.



Diamonds-
4.50mm, 50 pis
1.40mm, 88 pis
1.20mm, 24 pis
1.10mm, 6 pis

Diamonds Wt-1.84 Cts.
Gold Wt-7.400 Gms.



Diamonds-
1.20mm, 1 pis
1.30mm, 43 pis
1.60mm, 14 pis
2.00mm, 1 pis

Diamonds Wt-0.40 Cts.
Gold Wt-3.700 Gms.



Diamonds-
1.30mm, 33 pis
1.20mm, 3 pis

Diamonds Wt-0.29 Cts.
Gold Wt-3.120 Gms.



Diamonds-
1.0mm, 10 pis
1.0mm, 37 pis
1.10mm, 1 pis

Diamonds Wt- 0.37 Cts.
Gold Wt- 3.210 Gms.



Diamonds-
1.60mm, 3 pis
1.30mm, 13 pis
1.10mm, 9 pis

Diamonds Wt-0.21 Cts.
Gold Wt-2.500 Gms.



Diamonds-
1.30mm, 30 pis
1.30mm, 13 pis
1.10mm, 9 pis

Diamonds Wt- 0.34 Cts.
Gold Wt- 3.300 Gms.



Diamonds-
1.20mm, 18 pis
1.30mm, 24 pis
1.10mm, 5 pis

Diamonds Wt-0.32 Cts.
Gold Wt-3.200 Gms.



Diamonds-
1.30mm, 21 pis
1.20mm, 19 pis
1.10mm, 2 pis
1.40mm, 4 pis

Diamonds Wt- Cts.
Gold Wt- Gms.



Diamonds-

1.80mm, 4 pis

1.20mm, 9 pis

1.30mm, 24 pis

1.10mm, 2 pis

Diamonds Wt- 0.44 Cts.

Gold Wt- 5.600 Gms.



Diamonds-

- 1.10mm, 2 pis
- 1.30mm, 16 pis
- 1.40mm, 10 pis
- 1.20mm, 2 pis

Diamonds Wt- 0.26 Cts.
Gold Wt- 3.610 Gms.



Diamonds-

1.20mm, 6 pis

1.30mm, 42 pis

1.40mm, 1 pis

Diamonds Wt-0.40 Cts.

Gold Wt-4.600 Gms.



Diamonds-

1.20mm, 8 pis
1.30mm, 15 pis
1.40mm, 16 pis

Diamonds Wt-0.34 Cts.
Gold Wt-3.000 Gms.



Diamonds-
1.30mm, 23 pis
1.40mm, 2 pis
1.20mm, 4 pis
1.10mm, 4 pis

Diamonds Wt-0.26 Cts.
Gold Wt-4.320 Gms.



Diamonds-
1.10mm, 5 pis
1.20mm, 15 pis
1.0mm, 26 pis
1.40mm, 14 pis

Diamonds Wt-0.48 Cts.
Gold Wt-4.350 Gms.



Diamonds-
1.10mm, 1 pis
1.30mm, 6 pis
1.40mm, 50 pis

Diamonds Wt- 0.57 Cts.
Gold Wt- 5.400 Gms.



Diamonds-
1.50mm, 2 pis
1.40mm, 27 pis
1.0mm, 4 pis
1.20mm, 4 pis
1.10mm, 2 pis

Diamonds Wt-0.43 Cts.
Gold Wt-4.150 Gms.



Diamonds-
1.20mm, 12 pis
1.0mm, 34 pis
1.40mm, 3 pis

Diamonds Wt-0.39 Cts.
Gold Wt-3.420 Gms.



Diamonds-
1.40mm, 25 pis
1.30mm, 28 pis
1.20mm, 2 pis

Diamonds Wt-0.50 Cts.
Gold Wt-4.100 Gms.



Diamonds-
1.30mm, 18 pis
1.40mm, 5 pis
1.20mm, 8 pis

Diamonds Wt-0.25 Cts.
Gold Wt-3.120 Gms.



Diamonds-
1.40mm, 22 pis
1.30mm, 12 pis
1.10mm, 6 pis
1.20mm, 2 pis

Diamonds Wt-0.52 Cts.
Gold Wt-3.500 Gms.



Diamonds-
1.20mm, 34 pis
1.30mm, 23 pis.
1.40mm, 10 pis
1.10mm, 2 pis

Diamonds Wt-0.52 Cts.
Gold Wt-4.000 Gms.



Diamonds-
1.30mm, 4 pis
1.40mm, 16 pis
1.50mm, 17 pis

Diamonds Wt-0.41 Cts.
Gold Wt-5.400 Gms.



Diamonds-
1.20mm, 17 pis
1.30mm, 13 pis
1.40mm, 26 pis

Diamonds Wt-0.48 Cts.
Gold Wt-3.500 Gms.



Diamonds-
1.40mm, 35 pis
1.30mm, 23 pis

Diamonds Wt-0.55 Cts.
Gold Wt-4.000 Gms.



Diamonds-
1.40mm, 12 pis
1.20mm, 8 pis
1.30mm, 27 pis
1.50mm, 1 pis

Diamonds Wt-0.41 Cts.
Gold Wt-4.300 Gms.



Diamonds-
1.40mm, 29 pis
1.50mm, 5 pis
1.30mm, 2 pis
1.20mm, 1 pis

Diamonds Wt-0.38 Cts.
Gold Wt-3.800 Gms.



Diamonds-
1.30mm, 2 pis
1.40mm, 37 pis

Diamonds Wt-0.40 Cts.
Gold Wt-4.100 Gms.



Diamonds-
2.00mm, 1 pis
1.40mm, 33 pis
1.30mm, 3 pis
1.20mm, 3 pis
1.10mm, 2 pis
1.60mm, 2 pis
1.50mm, 1 pis

Diamonds Wt-0.47 Cts.
Gold Wt-4.350 Gms.



Diamonds-
1.30mm, 1 pis
1.40mm, 27 pis

Diamonds Wt-0.29 Cts.
Gold Wt-3.300 Gms.



Diamonds-
1.50mm, 38 pis

Diamonds Wt-0.48 Cts.
Gold Wt-3.700 Gms.



Diamonds-
1.40mm, 12 pis
1.30mm, 20 pis
1.20mm, 4 pis
1.50mm, 4 pis

Diamonds Wt-0.36 Cts.
Gold Wt-3.400 Gms.



Diamonds-
1.40mm, 7 pis
1.50mm, 2 pis
1.20mm, 1 pis
1.30mm, 31 pis

Diamonds Wt-0.36 Cts.
Gold Wt-4.000 Gms.



Diamonds-
1.10mm, 5 pis
1.20mm, 4 pis.
1.30mm, 33 pis
1.40mm, 19 pis

Diamonds Wt- 0.52 Cts.
Gold Wt- 5.800 Gms.



Diamonds-
1.20mm, 15 pis
1.30mm, 40 pis
1.10mm, 1 pis
1.40mm, 20 pis

Diamonds Wt-0.64 Cts.
Gold Wt-4.700 Gms.



Diamonds-
1.20mm, 6 pis
1.30mm, 33 pis

Diamonds Wt-0.31 Cts.
Gold Wt-3.820 Gms.



Diamonds-
2.00mm, 1 pis
1.30mm, 27 pis
1.50mm, 1 pis
1.40mm, 17 pis

Diamonds Wt- 0.44 Cts.
Gold Wt- 4.400 Gms.



Diamonds-
1.30mm, 38 pis
1.40mm, 1 pis

Diamonds Wt-0.32 Cts.
Gold Wt-4.120 Gms.



Diamonds-
1.20mm, 26 pis
1.30mm, 29 pis

Diamonds Wt-0.33 Cts.
Gold Wt-6.000 Gms.



Diamonds-
1.30mm, 16 pis
1.40mm, 29 pis

Diamonds Wt-0.43 Cts.
Gold Wt-4.100 Gms.



Diamonds-
1.40mm, 39 pis

Diamonds Wt-0.40 Cts.
Gold Wt-3.700 Gms.



Diamonds-
1.30mm, 35 pis
1.40mm, 8 pis

Diamonds Wt-0.37 Cts.
Gold Wt-3.400 Gms.



Diamonds-
1.40mm, 25 pis
1.30mm, 18 pis

Diamonds Wt-0.41 Cts.
Gold Wt-3.700 Gms.



Diamonds-

1.0mm, 3 pis

1.30mm, 33 pis

1.40mm, 28 pis

1.50mm, 1 pis

1.20mm, 3 pis

Diamonds Wt-0.61 Cts.

Gold Wt-4.500 Gms.



Diamonds-
1.60mm, 3 pis
1.30mm, 12 pis
1.20mm, 50 pis

Diamonds Wt-0.47 Cts.
Gold Wt-4.500 Gms.



Diamonds-
1.30mm, 63 pis
1.20mm, 6 pis

Diamonds Wt-0.56 Cts.
Gold Wt-4.420 Gms.



Diamonds-
1.40mm, 6 pis
1.30mm, 51 pis
1.20mm, 8 pis

Diamonds Wt-0.53 Cts.
Gold Wt-5.000 Gms.



Diamonds-
1.30mm, 24 pis
1.40mm, 29 pis
1.20mm, 4 pis

Diamonds Wt- 0.52 Cts.
Gold Wt- 4.200 Gms.



Diamonds-
1.30mm, pis

Diamonds Wt-0.46 Cts.
Gold Wt-5.700 Gms.



Diamonds-
1.30mm, 18 pis
1.40mm, 6 pis
1.0mm, 2 pis
1.10mm, 4 pis

Diamonds Wt-0.24 Cts.
Gold Wt-3.500 Gms.



Diamonds-

1.50mm, 9 pis

1.30mm, 4 pis

1.20mm, 5 pis

1.10mm, 3 pis

1.40mm, 16 pis

Diamonds Wt-0.36 Cts.

Gold Wt-4.000 Gms.



Diamonds-
1.30mm, 21 pis
1.40mm, 17 pis
1.20mm, 9 pis

Diamonds Wt-0.41 Cts.
Gold Wt-4.460 Gms.



Diamonds-
1.10mm, 28 pis
1.40mm, 4 pis
1.50mm, 4 pis
1.20mm, 22 pis
1.30mm, 53 pis
1.00mm, 6 pis

Diamonds Wt-0.83 Cts.
Gold Wt-8.330 Gms.

Diamonds-
1.30mm, 12 pis
1.40mm, 24 pis
1.10mm, 24 pis
1.20mm, 10 pis
1.50mm, 6 pis
1.00mm, 22 pis

Diamonds Wt-0.69 Cts.
Gold Wt-7.938 Gms.











Diamonds-

- 1.10mm, 36 pis
- 1.20mm, 34 pis
- 1.00mm, 12 pis
- 1.30mm, 34 pis
- 1.40mm, 8 pis
- 1.50mm, 6 pis

Diamonds Wt-0.88 Cts.
Gold Wt-6.400 Gms.



DIAMONDS-

5.00mm, 1 PIS

1.30mm, 4 PIS

1.10mm, 28 PIS

1.00mm, 48 PIS

1.50mm, 2 PIS

Diamonds Wt-0.90 Cts.

Gold Wt-4.410 Gms.



Diamonds-
1.40mm, 10pis
5.00mm, 1 pis
1.30mm, 12 pis
1.00mm, 42 pis

Diamonds Wt-0.83 Cts.
Gold Wt-4.320 Gms.



Diamonds-
1.10mm, 40 pis.
1.80mm, 8 pis
1.00mm, 44 pis
0.90mm, 4 pis
5.00mm, 1 pis

Diamonds Wt-1.02 Cts.
Gold Wt-5.800 Gms.



Diamonds-

1.50mm, 4 pis

1.20mm, 16 pis

1.40mm, 4 pis

1.00mm, 4 pis

1.10mm, 4 pis

5.50mm, 1 pis

Diamonds Wt-0.84 Cts.

Gold Wt-4.000 Gms.



Diamonds-

- 1.10mm, 4 pis
- 1.20mm, 8 pis
- 1.30mm, 12 pis
- 1.40mm, 2 pis
- 4.00mm, 1 pis

Diamonds Wt-0.43 Cts.
Gold Wt-2.460 Gms.



Diamonds-
1.30mm, 42 pis

Diamonds Wt-0.35 Cts.
Gold Wt-4.185 Gms.



Diamonds-
3.00mm, 1 pis
1.30mm, 8 pis
1.20mm, 42 pis
1.00mm, 1 pis
1.50mm, 1 pis

Diamonds Wt-0.51 Cts.
Gold Wt-7.992 Gms.



Diamonds-
4.00mm, 1 pis
0.90mm, 4 pis
1.00mm, 4 pis
1.30mm, 4 pis
1.40mm, 6 pis

Diamonds Wt-0.36 Cts.
Gold Wt-3.429 Gms.



Diamonds-
5.00mm, 1 pis
1.30mm, 14 pis
1.120mm, 36 pis

Diamonds Wt-0.88 Cts.
Gold Wt-5.530 Gms.



Diamonds-
3.00mm, 3 pis
1.00mm, 34 pis
0.90mm, 2 pis
1.10mm, 2 pis
1.20mm, 2 pis
1.30mm, 13 pis
4.10mm, 1 pis

Diamonds Wt-0.82 Cts.
Gold Wt-3.800 Gms.



Diamonds-
5.00mm, 1 pis
1.50mm, 6 pis
1.20mm, 6 pis
1.10mm, 18 pis
1.40mm, 14 pis

Diamonds Wt- Cts.
Gold Wt-3.790 Gms.



Diamonds-
1.30mm, 84 pis
5.00mm, 1 pis
1.20mm, 4 pis
1.00mm, 46 pis

Diamonds Wt-1.36 Cts.
Gold Wt-5.265 Gms.



Diamonds-
1.50mm, 6 pis
1.20mm, 39 pis

Diamonds Wt- Cts.
Gold Wt-4.5968 Gms.



Diamonds-
1.30mm, 13 pis
0.90mm, 1 pis
1.00mm, 2 pis
1.10mm, 2 pis
1.20mm, 2 pis
4.00mm, 1 pis

Diamonds Wt-0.38 Cts.
Gold Wt-4.365 Gms.



Diamonds-
1.20mm, 30 pis
5.20mm, 1 pis
1.30mm, 4 pis
1.40mm, 8 pis
1.50mm, 8 pis

Diamonds Wt-0.94 Cts.
Gold Wt-6.200 Gms.



Diamonds-
1.30mm, 18 pis
5.20mm 1 pis
1.50mm 7 pis

Diamonds Wt-0.76 Cts.
Gold Wt-8.200 Gms.



Diamonds-
5.00mm, 1 pis
1.10mm, 22 pis
1.30mm, 16 pis
1.20mm, 3 pis

Diamonds Wt-0.73 Cts.
Gold Wt-6.435 Gms.



Diamonds-
1.70mm, 12 pis
2.00mm, 18 pis
1.50mm, 3 pis

Diamonds Wt-0.93 Cts.
Gold Wt-5.517 Gms.



Diamonds-
0.90mm, 10 pis
1.00mm, 18 pis
1.10mm, 18 pis
1.20mm, 31 pis
4.00mm, 1 pis
1.40mm, 6 pis
1.30mm, 8 pis

Diamonds Wt-0.75 Cts.
Gold Wt-5.517 Gms.



Diamonds-
1.40mm, 11 pis
1.10mm, 9 pis
1.20mm, 5 pis
1.30mm, 15 pis
1.00mm, 3 pis
1.50mm, 1 pis

Diamonds Wt-0.34 Cts.
Gold Wt-4.870 Gms.



Diamonds-
1.40mm, 19 pis

Diamonds Wt-0.20 Cts.
Gold Wt-2.600 Gms.



Diamonds-
1.30mm, 15 pis
1.20mm, 11 pis
1.40mm, 1 pis

Diamonds Wt-0.21 Cts.
Gold Wt-3.150 Gms.



Diamonds-

- 1.30mm, 5 pis
- 1.20mm, 18 pis
- 1.10mm, 68 pis
- 1.60mm, 8 pis
- 1.40mm, 16 pis
- 1.00mm, 16 pis

Diamonds Wt- 0.84 Cts.
Gold Wt- 7.000 Gms.



Diamonds-
1.10mm, 32 pis
1.50mm, 12 pis
1.80mm, 2 pis
1.20mm, 4 pis
1.30mm, 6 pis
3.00mm, 1 pis

Diamonds Wt-0.53 Cts.
Gold Wt-4.300 Gms.



Diamonds-
1.20mm, 26 pis
1.30mm, 114 pis
5.20mm, 1 pis

Diamonds Wt-1.84 Cts.
Gold Wt-4.000 Gms.



Diamonds-
1.30mm, 148 pis
1.40mm, 48 pis

Diamonds Wt-2.008 Cts.
Gold Wt-4.800 Gms.



Diamonds-
1.30mm, 70 pis

Diamonds Wt-0.70 Cts.
Gold Wt-4.600 Gms.



Diamonds-
1.30mm, 75 pis.

Diamonds Wt-0.75 Cts.
Gold Wt-4.900 Gms.



Diamonds-
1.20mm, 18 pis
1.30mm, 42 pis

Diamonds Wt-0.56 Cts.
Gold Wt-4.000 Gms.



Diamonds-
1.20mm, 16 pis
1.30mm, 30 pis

Diamonds Wt-0.42 Cts.
Gold Wt-3.700 Gms.



Diamonds-
1.20mm, 8 pis
1.30mm, 49 pis

Diamonds Wt-0.55 Cts.
Gold Wt-5.100 Gms.



Diamonds-
1.20mm, 8 pis
1.30mm, 59 pis

Diamonds Wt-0.65 Cts.
Gold Wt-4.200 Gms.



Diamonds-
1.30mm, 48 pis

Diamonds Wt-0.48 Cts.
Gold Wt-4.100 Gms.



Diamonds-
1.30mm, 45 pis
1.40mm, 6 pis

Diamonds Wt-0.52 Cts.
Gold Wt-3.500 Gms.



Diamonds-
1.30mm,72 pis

Diamonds Wt-0.72 Cts.
Gold Wt-4.100 Gms.



Diamonds-
1.20mm, 16 pis
1.30mm, 55 pis

Diamonds Wt-0.67 Cts.
Gold Wt-5.200 Gms.



Diamonds-

0.80mm, 8 pis

1.90mm, 96 pis

1.00mm, 60 pis

1.10mm, 34 pis

1.20mm, 63 pis

Diamonds Wt-1.41 Cts.

Gold Wt-7.200 Gms.



Diamonds-
1.00mm, 14 pis
1.10mm, 7 pis
1.20mm, 49 pis
1.30mm, 112 pis

Diamonds Wt-1.62 Cts.
Gold Wt-7.300 Gms.



Diamonds-
1.20mm, 36 pis
1.10mm, 3 pis
1.00mm, 4 pis
1.30mm, 48 pis
1.40mm, 3 pis

Diamonds Wt-0.69 Cts.
Gold Wt-9.240 Gms.



Diamonds-
1.30mm, 37 pis
1.20mm, 30 pis
1.10mm, 14 pis
1.40mm, 1 pis

Diamonds Wt-0.58 Cts.
Gold Wt-10.00 Gms.



Diamonds-
1.50mm, 20 pis
1.30mm, 92 pis

Diamonds Wt- 1.01 Cts.
Gold Wt-12.210 Gms.



Diamonds-
1.30mm, 30 pis
1.70mm, 6 pis
1.40mm, 5 pis
1.20mm, 40 pis
1.10mm, 28 pis

Diamonds Wt-0.80 Cts.
Gold Wt-12.00 Gms.



Diamonds-
1.40mm, 7 pis
1.20mm, 20 pis
1.30mm, 36 pis

Diamonds Wt-0.50 Cts.
Gold Wt-9.620 Gms.



Diamonds-
1.00mm, 1 pis
1.10mm, 4 pis
1.20mm, 40 pis
1.30mm, 17 pis
1.40mm, 10 pis
1.70mm, 8 pis

Diamonds Wt-0.67 Cts.
Gold Wt-8.00 Gms.



Diamonds-
1.30mm, 21 pis
1.20mm, 95 pis
1.50mm, 8 pis
1.10mm, 3 pis

Diamonds Wt-0.92 Cts.
Gold Wt-10.00 Gms.



Diamonds-
1.30mm, 23 pis
1.20mm, 62 pis

Diamonds Wt-0.59 Cts.
Gold Wt- 8.520 Gms.



Diamonds-
1.40mm,32 pis
1.30mm,16 pis
1.20mm, 8 pis
1.00mm,16 pis
1.10mm,8 pis

Diamonds Wt-0.61 Cts.
Gold Wt-10.100 Gms.



Diamonds-
1.40mm, 34 pis
1.50mm, 11 pis
1.20mm, 20 pis
1.30mm, 4 pis
1.10mm, 1 pis
1.60mm, 9 pis

Diamonds Wt-0.79 Cts.
Gold Wt-11.00 Gms.



Diamonds-
1.0mm, 34 pis
1.40mm, 44 pis

Diamonds Wt-0.65 Cts.
Gold Wt-11.600 Gms.



Diamonds-
1.20mm, 32 pis
1.30mm, 54 pis
1.10mm, 22 pis

Diamonds Wt-0.65 Cts.
Gold Wt-6.520 Gms.



Diamonds-
1.50mm, 25 pis
1.30mm, 58 pis
1.20mm, 25 pis

Diamonds Wt-0.93 Cts.
Gold Wt-11.800 Gms.



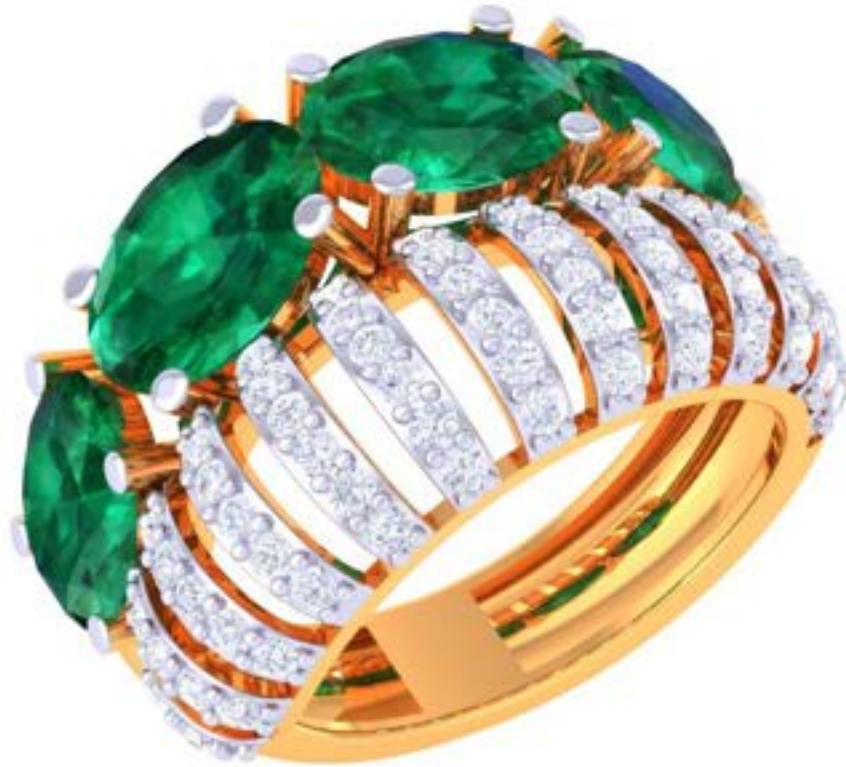
Diamonds-
1.10mm, 52 pis
1.30mm, 12 pis
1.20mm, 26 pis

Diamonds Wt-0.53 Cts.
Gold Wt-8.520 Gms.



Diamonds-
1.30mm, 45 pis
1.40mm, 5 pis
1.20mm, 59 pis
1.10mm, 47 pis
0.90mm, 2 pis
1.00mm, 11 pis

Diamonds Wt-1.12 Cts.
Gold Wt-9.600 Gms.



Diamonds-
1.30mm, 2 pis
1.40mm, 60 pis

Diamonds Wt-0.63 Cts.
Gold Wt-9.200 Gms.



Diamonds-
1.20mm, 118 pis
1.10mm, 14 pis
1.30mm, 10 pis
1.40mm, 4 pis

Diamonds Wt-0.96 Cts.
Gold Wt-8.900 Gms.



Diamonds-
1.20mm, 90 pis
1.30mm, 13 pis
1.10mm, 2 pis

Diamonds Wt-0.71 Cts.
Gold Wt-12.00 Gms.



Diamonds-
1.20mm, 92 pis
1.30mm, 9 pis

Diamonds Wt-0.67 Cts.
Gold Wt-10.00 Gms.



Diamonds-
1.20mm, 12 pis
1.30mm, 20 pis
1.50mm, 12 pis
1.40mm, 20 pis
1.60mm, 20 pis

Diamonds Wt-0.91 Cts.
Gold Wt-12.00 Gms.



Diamonds-
1.50mm, 17 pis
1.60mm, 10 pis
1.30mm, 6 pis
1.20mm, 36 pis
1.70mm, 4 pis

Diamonds Wt-0.73 Cts.
Gold Wt-14.00 Gms.



Diamonds-
1.40mm, 5 pis
1.30mm, 23 pis
1.60mm, 7 pis
1.20mm, 78 pis

Diamonds Wt-0.86 Cts.
Gold Wt-14.00 Gms.



Diamonds-
1.20mm, 57 pis
1.10mm, 7 pis
1.60mm, 14 pis

Diamonds Wt-0.62 Cts.
Gold Wt-11.00Gms.



Diamonds-
1.40mm, 39 pis
1.10mm, 33 pis
1.20mm, 15 pis
1.30mm, 40 pis
1.50mm, 9 pis
1.60mm, 1 pis

Diamonds Wt-1.12 Cts.
Gold Wt-6.00 Gms.



Diamonds-
3.27mm, 2 pis
1.50mm, 6 pis
1.30mm, 7 pis

Diamonds Wt-0.67 Cts.
Gold Wt-8.530 Gms.

Diamonds-
2.60mm, 1 pis
1.20mm, 25 pis
1.50mm, 7 pis
3.00mm, 1 pis
1.30mm, 16 pis

Diamonds Wt-0.55 Cts.
Gold Wt-7.200 Gms.





Diamonds-
3.60mm, 2 pis
1.70mm, 3 pis
1.30mm, 12 pis
2.20mm, 7 pis

Diamonds Wt-1.00 Cts.
Gold Wt-8.480Gms.



Diamonds-
1.30mm, 43 pis
1.40mm, 10 pis
1.10mm, 116 pis
1.20mm, 25 pis

Diamonds Wt-1.21 Cts.
Gold Wt-13.00 Gms.



Diamonds-
1.10mm, 74 pis
1.00mm, 6 pis
1.20mm, 50 pis

Diamonds Wt-0.71 Cts.
Gold Wt-8.620 Gms.



Diamonds-
1.40mm, 32 pis

Diamonds Wt-0.33 Cts.
Gold Wt-7.00 Gms.



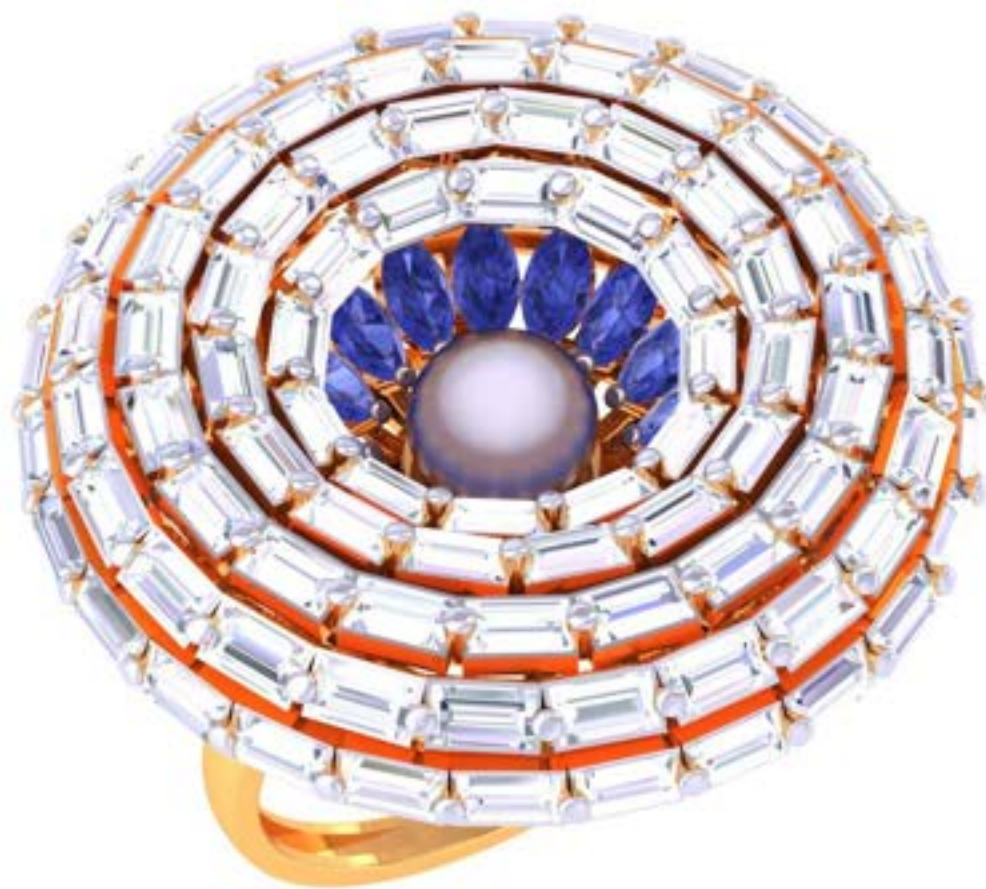
Diamonds-
1.40mm, 9 pis
1.50mm, 6 pis
1.30mm, 16 pis
1.00mm, 12 pis
1.20mm, 52 pis
1.10mm, 34 pis

Diamonds Wt-0.85 Cts.
Gold Wt-7.380 Gms.



Diamonds-
1.20mm, 28 pis
1.30mm, 19 pis
1.10mm, 2 pis

Diamonds Wt-0.35 Cts.
Gold Wt-7.240 Gms.



Diamonds-
marquise-3.75/1.87 mm, 16pis
baugusts-2.90mm, 100 pis

Diamonds Wt-7.58 Cts.
Gold Wt-22.00 Gms.



Diamonds-
1.57mm, 4 pis
baugetes-1.84/1.23mm, 24 pis

Diamonds Wt-0.47 Cts.
Gold Wt-8.470 Gms.



Diamonds-
1.20mm, 25 pis
1.30mm, 26 pis
1.10mm, 8 pis

Diamonds Wt-0.42 Cts.
Gold Wt-6.430 Gms.



Diamonds-
1.30mm, 71 pis
1.60mm, 7 pis

Diamonds Wt-0.69 Cts.
Gold Wt-13.00 Gms.



Diamonds-
1.20mm, 109 pis
1.30mm, 6 pis
1.40mm, 13 pis
1.70mm, 4 pis

Diamonds Wt-0.96 Cts.
Gold Wt-13.00 Gms.



Diamonds-
1.20mm, 76 pis
1.30mm, 56 pis

Diamonds Wt-0.84 Cts.
Gold Wt-14.00 Gms.



Diamonds-
1.50mm, 21 pis
1.60mm, 20 pis
1.30mm, 24 pis
1.20mm, 6 pis
1.10mm, 6 pis
1.00mm, 12 pis
0.90mm, 6 pis

Diamonds Wt-0.90 Cts.
Gold Wt-13.00 Gms.



Diamonds-
1.30mm, 28 pis
1.20mm, 43 pis
1.10mm, 2 pis
1.60mm, 12 pis
1.50mm, 8 pis

Diamonds Wt-0.81 Cts.
Gold Wt-9.490 Gms.



Diamonds-
1.40mm, 4pis.
2.50mm, 1pis.

Diamonds Wt- 0.10 Cts.
Gold Wt- 3.400 Gms.



Diamonds-
1.80mm, 2pis.
2.50mm, 1pis.

Diamonds Wt- 0.10 Cts.
Gold Wt- 2.470 Gms.



Diamonds-
5.40mm, 1pis.
1.90mm, 10pis.

Diamonds Wt- 0.82 Cts.
Gold Wt- 3.270 Gms.



Diamonds-
5.00mm, 1pis.
1.20mm, 21pis.
1.10mm, 5pis.
1.30mm, 7pis.
1.00mm, 1pis.

Diamonds Wt- 0.69 Cts.
Gold Wt- 3.800 Gms.

Diamonds-
1.20mm, 2pis.
1.30mm, 4pis.
1.40mm, 4pis.
1.50mm, 2pis.
1.60mm, 4pis.
5.60mm, 1pis.

Diamonds Wt- 0.83 Cts.
Gold Wt- 4.000 Gms.





Diamonds-
1.00mm, 30pis.
1.10mm, 16pis.
1.20mm, 8pis.
0.90mm, 2pis.
1.30mm, 10pis.
5.60mm, 1pis.

Diamonds Wt- 0.99 Cts.
Gold Wt- 4.200 Gms.



Diamonds-
4.00mm, 1pis.
1.20mm, 12pis.

Diamonds Wt- 0.32 Cts.
Gold Wt- 3.240 Gms.

Diamonds-
1.50mm, 8pis.
1.10mm, 49pis.
1.00mm, 6pis.
1.40mm, 4pis.
1.30mm, 7pis.
5.60mm, 1pis.

Diamonds Wt- 1.12 Cts.
Gold Wt- 5.500 Gms.





Diamonds-
5.60mm, 1pis.
1.30mm, 20pis.

Diamonds Wt- 0.82 Cts.
Gold Wt- 2.970 Gms.



Diamonds-
4.00mm, 1pis.
1.40mm, 2pis.
1.50mm, 2pis.

Diamonds Wt- 0.29 Cts.
Gold Wt- 3.340 Gms.

Diamonds-

1.90mm, 2pis.

5.60mm, 1pis.

1.50mm, 2pis.

1.60mm, 5pis.

1.70mm, 5pis.

1.20mm, 27pis.

1.30mm, 1pis.

1.40mm, 1pis.

1.50mm, 5pis.

1.10mm, 6pis.

Diamonds Wt- 1.15 Cts.

Gold Wt- 4.850 Gms.





Diamonds-
1.20mm, 22pis.
1.30mm, 20pis.
1.10mm, 4pis.
1.50mm, 2pis.
5.60mm, 1pis.

Diamonds Wt- 1.01 Cts.
Gold Wt- 3.940 Gms.



Diamonds-
5.60mm, 1pis.
1.40mm, 16pis.

Diamonds Wt- 0.82 Cts.
Gold Wt- 4.500 Gms.



Diamonds-

- 1.50mm, 2pis.
- 1.40mm, 10pis.
- 1.30mm, 6pis.
- 1.20mm, 2pis.
- 1.10mm, 1pis.
- 5.60mm, 1pis.

Diamonds Wt- 0.85 Cts.
Gold Wt- 4.500 Gms.



Diamonds-
1.10mm, 14pis.
1.00mm, 4pis.
5.40mm, 1pis.

Diamonds Wt- 0.68 Cts.
Gold Wt- 3.330 Gms.



Diamonds-
5.60mm, 1pis.
1.20mm, 27pis.
1.40mm, 2pis.
1.10mm, 10pis.
1.30mm, 14pis.

Diamonds Wt- 1.02 Cts.
Gold Wt- 5.100 Gms.

Diamonds-
5.00mm, 1pis.
1.00mm, 2pis.
1.10mm, 2pis.
1.20mm, 2pis.
1.30mm, 2pis.
1.40mm, 2pis.
1.50mm, 2pis.
1.70mm, 4pis.

Diamonds Wt- 0.68 Cts.
Gold Wt- 3.870 Gms.





Diamonds-
5.00mm, 1pis.
1.30mm, 30pis.
1.20mm, 18pis.

Diamonds Wt- 0.83 Cts.
Gold Wt- 3.690 Gms.



Diamonds-
1.20mm, 4pis.
1.30mm, 4pis.
1.40mm, 10pis.
1.00mm, 2pis.
4.80mm, 1pis.

Diamonds Wt- 0.58 Cts.
Gold Wt- 2.740 Gms.



Diamonds-
1.30mm, 30pis.
1.20mm, 17pis.
4.00mm, 1pis.

Diamonds Wt- 0.60 Cts.
Gold Wt- 4.130 Gms.



Diamonds-
5.00mm, 1pis.
1.20mm, 2pis.
1.40mm, 2pis.
1.60mm, 8pis.

Diamonds Wt- 0.62 Cts.
Gold Wt- 3.260 Gms.



Diamonds-
4.00mm, 2pis.
1.40mm, 6pis.
1.30mm, 24pis.
1.20mm, 4pis.
1.10mm, 10pis.
2.50mm, 2pis.

Diamonds Wt- 0.93 Cts.
Gold Wt- 4.870 Gms.

Diamonds-
1.10mm, 1pis.
1.20mm, 2pis.
1.30mm, 46pis.
5.30mm, 1pis.
1.40mm, 8pis.
1.50mm, 1pis.
1.00mm, 1pis.

Diamonds Wt- 1.09 Cts.
Gold Wt- 5.640 Gms.





Diamonds-

- 1.30mm, 19pis.
- 1.10mm, 66pis.
- 1.30mm, 19pis.
- 0.90mm, 42pis.
- 1.20mm, 50pis.
- 1.40mm, 14pis.
- 1.00mm, 16pis.
- 1.50mm, 14pis.
- 5.00mm, 1pis.

Diamonds Wt- 1.93 Cts.
Gold Wt- 7.500 Gms.



Diamonds-
0.90mm, 4pis.
1.10mm, 2pis.
1.00mm, 2pis.
0.90mm, 2pis.
4.90mm, 1pis.

Diamonds Wt- 0.48 Cts.
Gold Wt- 3.330 Gms.



Diamonds-
5.00mm, 1pis.
1.40mm, 30pis.
1.30mm, 8pis.
1.20mm, 8pis.

Diamonds Wt- 0.89 Cts.
Gold Wt- 4.990 Gms.

Diamonds-
5.40mm, 1pis.
1.50mm, 6pis.
1.30mm, 18pis.
1.80mm, 6pis.
1.70mm, 4pis.
1.60mm, 2pis.
1.00mm, 8pis.
1.10mm, 4pis.
1.20mm, 4pis.
1.40mm, 8pis.

Diamonds Wt- 1.21 Cts.
Gold Wt- 4.570 Gms.





Diamonds-
1.00mm, 8pis.
1.20mm, 14pis.
4.40mm, 1pis.

Diamonds Wt- 0.44 Cts.
Gold Wt- 3.820 Gms.



Diamonds-
1.10mm, 3pis.
1.00mm, 26pis.
4.30mm, 1pis.

Diamonds Wt- 0.39 Cts.
Gold Wt- 3.350 Gms.

Diamonds-
1.60mm, 12pis.
1.50mm, 12pis.
1.40mm, 8pis.
1.10mm, 8pis.
0.90mm, 4pis.
1.20mm, 4pis.
5.60mm, 1pis.

Diamonds Wt- 1.18 Cts.
Gold Wt- 4.330 Gms.

























































































































































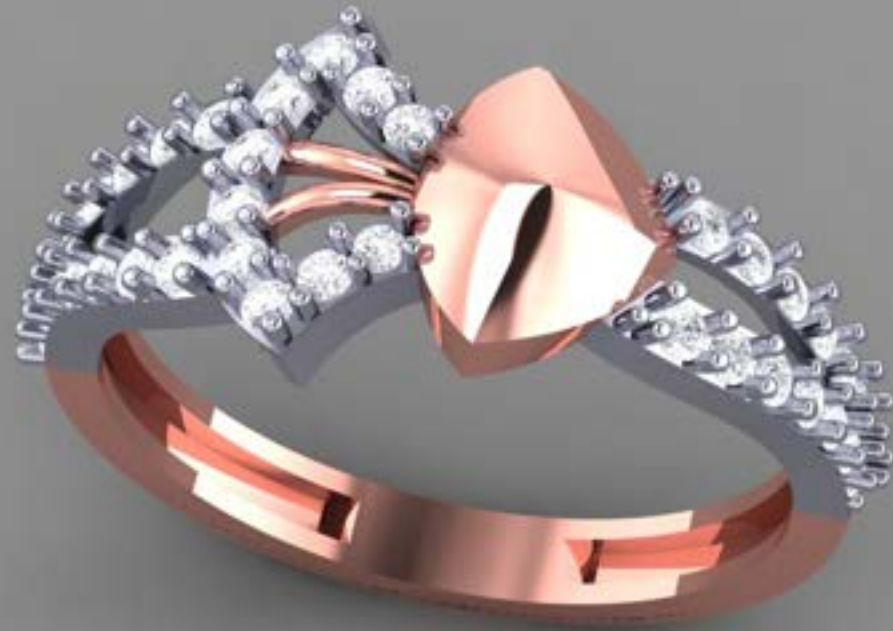














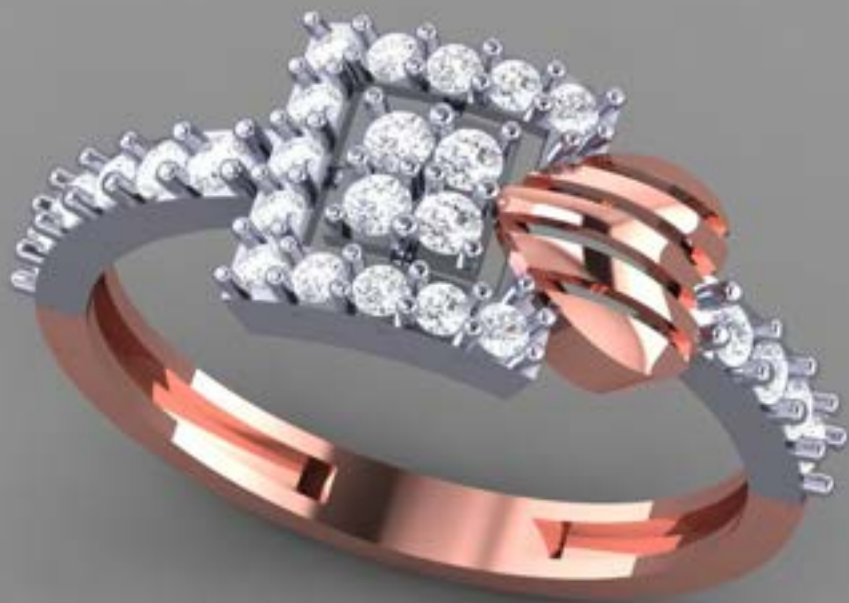


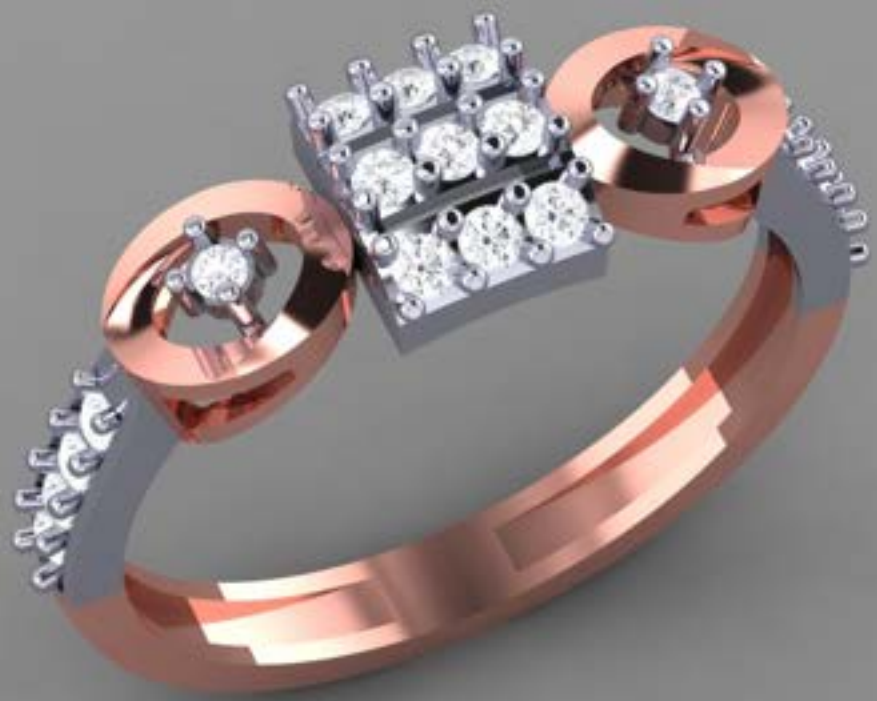


























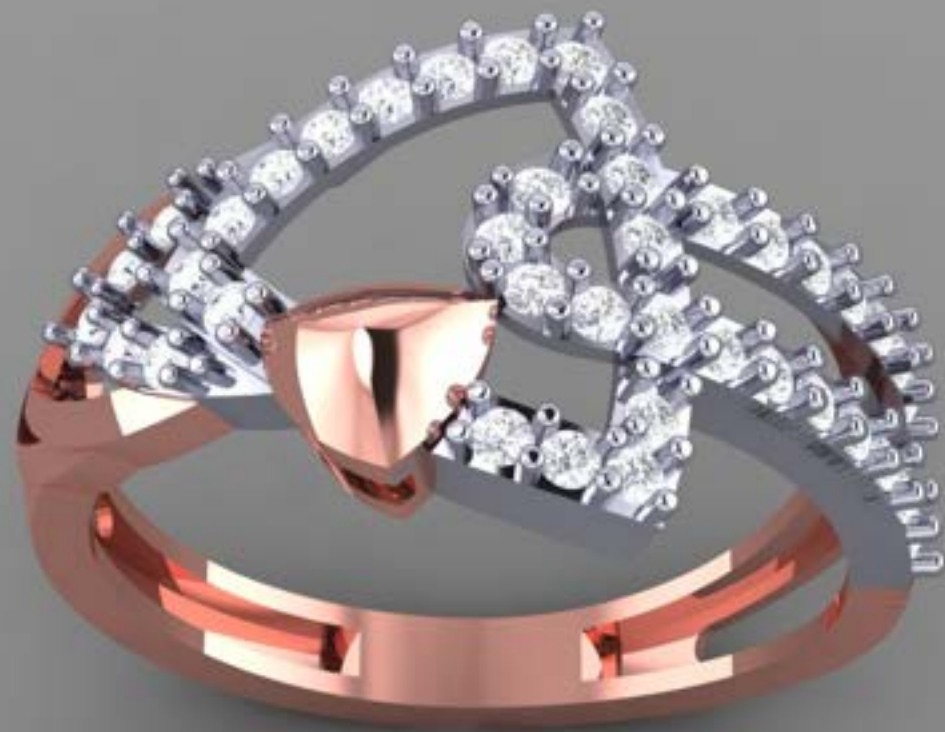


























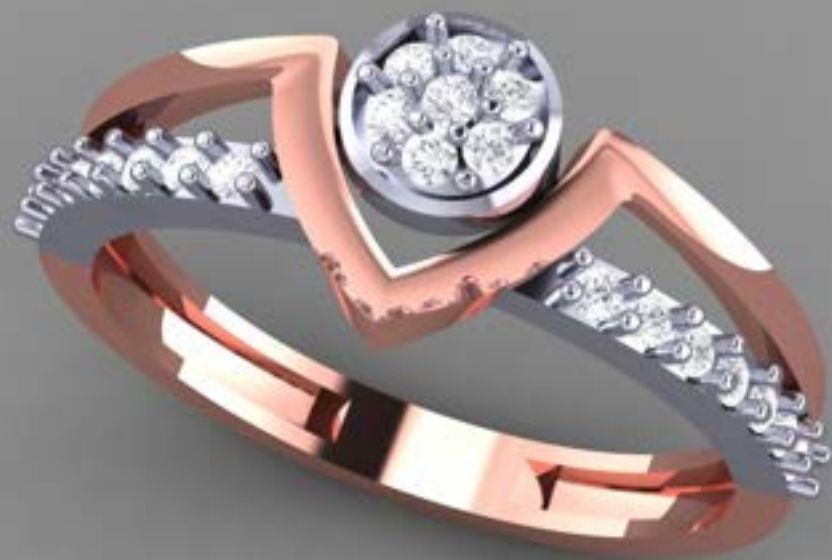






































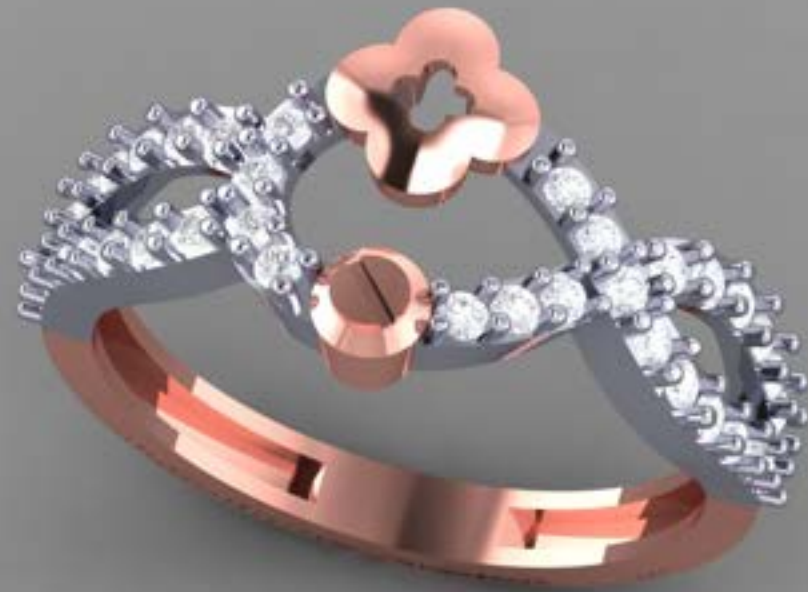




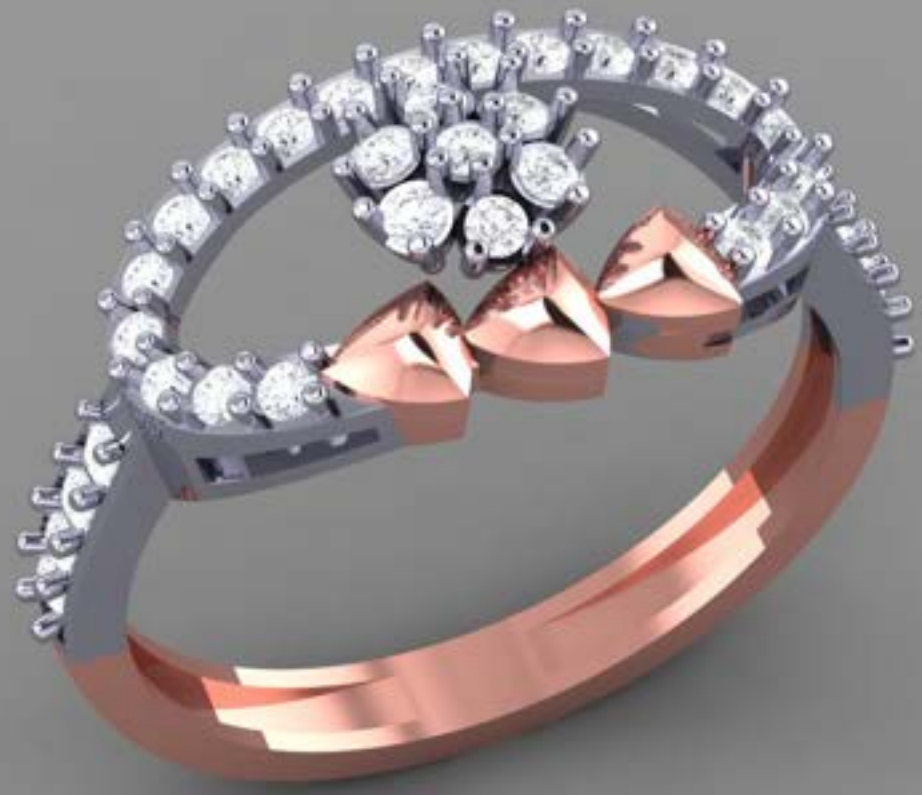






















Diamonds-
1.40mm, 4pis.
1.30mm, 8pis.
1.20mm, 7pis.
1.10mm, 4pis.
0.90mm, 3pis.

Diamonds Wt- 0.18 Cts.
Gold Wt- 3.400 Gms.



Diamonds-
1.40mm, 2pis.
1.20mm, 8pis.
1.00mm, 3pis.
0.90mm, 2pis.
1.30mm, 1pis.
1.10mm, 1pis.
1.80mm, 5pis.

Diamonds Wt- 0.20 Cts.
Gold Wt- 3.480 Gms.



Diamonds-
1.20mm, 3pis.
1.50mm, 3pis.
1.30mm, 9pis

Diamonds Wt- 0.13 Cts.
Gold Wt- 3.600 Gms.



Diamonds-
1.10mm, 22pis.
1.00mm, 16pis.
0.90mm, 2pis.
1.20mm, 1pis.
1.40mm, 1pis.

Diamonds Wt- 0.19 Cts.
Gold Wt- 3.180 Gms.



Diamonds-
0.90mm, 5pis.
1.00mm, 2pis.
1.10mm, 2pis.
1.20mm, 11pis.
1.60mm, 2pis.

Diamonds Wt- 0.13 Cts.
Gold Wt- 3.240 Gms.



Diamonds-
1.70mm, 7pis.
1.30mm, 3pis.
1.20mm, 13pis.
1.10mm, 2pis.

Diamonds Wt- 0.24 Cts.
Gold Wt- 2.790 Gms.

Diamonds-
1.00mm, 1pis.
1.10mm, 11pis.
1.20mm, 4pis.
1.30mm, 6pis.

Diamonds Wt- 0.13 Cts.
Gold Wt- 2.720 Gms.





Diamonds-
0.90mm, 8pis.
1.00mm, 12pis.
1.10mm, 11pis.
1.20mm, 8pis.
1.50mm, 1pis.

Diamonds Wt- 0.19 Cts.
Gold Wt- 3.210 Gms.

Diamonds-
1.10mm, 18pis.
1.20mm, 4pis.
1.00mm, 2pis.
0.90mm, 2pis.
1.50mm, 3pis.

Diamonds Wt- 0.17 Cts.
Gold Wt- 3.580 Gms.





Diamonds-
1.10mm, 18pis.
1.20mm, 4pis.
1.00mm, 2pis.
0.90mm, 2pis.
1.50mm, 3pis.

Diamonds Wt- 0.17 Cts.
Gold Wt- 3.580 Gms.



Diamonds-
1.00mm, 4pis.
0.90mm, 5pis.
1.10mm, 3pis.
1.20mm, 9pis.

Diamonds Wt- 0.10 Cts.
Gold Wt- 2.580 Gms.



Diamonds-
1.10mm, 2pis.
1.00mm, 5pis.
0.80mm, 2pis.
0.90mm, 1pis.
1.20mm, 2pis.

Diamonds Wt- 0.05 Cts.
Gold Wt- 2.690 Gms.



Diamonds-
1.50mm, 6pis.
1.10mm, 8pis.
1.20mm, 10pis.
1.00mm, 1pis.
0.90mm, 1pis.
0.80mm, 1pis.

Diamonds Wt- 0.19 Cts.
Gold Wt- 2.680 Gms.



Diamonds-
1.20mm, 14pis.
1.30mm, 17pis.
1.40mm, 1pis.
1.60mm, 1pis.

Diamonds Wt- 0.26 Cts.
Gold Wt- 3.750 Gms.



Diamonds-
1.30mm, 8pis.
1.10mm, 3pis.
1.20mm, 18pis.
1.40mm, 2pis.
1.00mm, 1pis.

Diamonds Wt- 0.22 Cts.
Gold Wt- 3.940 Gms.

Diamonds-
1.50mm, 2pis.
1.60mm, 1pis.
1.30mm, 1pis.
1.00mm, 3pis.
1.20mm, 7pis.
1.10mm, 9pis.
1.40mm, 1pis.

Diamonds Wt- 0.16 Cts.
Gold Wt- 3.540 Gms.



Diamonds-
1.30mm, 1pis.
1.00mm, 6pis.
1.20mm, 2pis.
1.10mm, pis.
0.90mm, 5pis.
1.40mm, 1pis.
1.50mm, 6pis.

Diamonds Wt- 0.16 Cts.
Gold Wt- 4.680 Gms.



Diamonds-
1.40mm, 2pis.
1.90mm, 4pis.
1.70mm, 1pis.

Diamonds Wt- 0.14 Cts.
Gold Wt- 2.650 Gms.



Diamonds-
1.10mm, 48pis.
1.60mm, 1pis.

Diamonds Wt- 0.25 Cts.
Gold Wt- 3.140 Gms.





Diamonds-
1.40mm, 25 pis
1.30mm, 51 pis
1.20mm, 24 pis
1.10mm, 4 pis

Diamonds wt-0.90 cts.
Gold wt-6.990 Gms.



Diamonds-

1.20mm, 40 pis

1.10mm, 24 pis

1.00mm, 16 pis

1.40mm, 6 pis

1.50mm, 1 pis

Diamonds wt-0.51 cts.

Gold wt-5.640 Gms.



Diamonds-
1.50mm, 1 pis
1.40mm, 45 pis

Diamonds wt-0.47 cts.
Gold wt-4.420 Gms.



Diamonds-
1.50mm, 1 pis
1.40mm, 45 pis
1.30mm, 52 pis

Diamonds wt-0.66 cts.
Gold wt-7.580 Gms.



Diamonds-
1.50mm, 22 pis
1.30mm, 16 pis
1.80mm, 1 pis
1.70mm, 6 pis

Diamonds wt-0.52 cts.
Gold wt-5.940 Gms.



Diamonds-
1.70mm, 6 pis
1.80mm, 1 pis
1.40mm, 38 pis
1.30mm, 20 pis
1.20mm, 4 pis

Diamonds wt-0.72 cts.
Gold wt-6.970 Gms.



Diamonds-
1.20mm, 20 pis
1.10mm, 10 pis
1.30mm, 26 pis
1.40mm, 23 pis

Diamonds wt-0.64 cts.
Gold wt-5.520 Gms.



Diamonds-
1.50mm, 1 pis
1.40mm, 21 pis
1.30mm, 64 pis
1.10mm, 4 pis
1.20mm, 8 pis

Diamonds wt-0.83 cts.
Gold wt-5.440 Gms.



Diamonds-
1.70mm, 6 pis
1.80mm, 1 pis
1.30mm, 40 pis
1.20mm, 2 pis

Diamonds wt-0.48 cts.
Gold wt-3.840 Gms.



Diamonds-
1.70mm, 9 pis
1.50mm, 20 pis
1.40mm, 8 pis
1.20mm, 2 pis
1.30mm, 8 pis

Diamonds wt-0.58 cts.
Gold wt-5.210 Gms.



Diamonds-
1.30mm, 37 pis
1.50mm, 4 pis
1.40mm, 2 pis
1.20mm, 20 pis

Diamonds wt-0.51 cts.
Gold wt-4.550 Gms.

Diamonds-
2.00mm, 1 pis
1.80mm, 6 pis
1.40mm, 8 pis
1.30mm, 28 pis
1.20mm, 4 pis
1.50mm, 12 pis

Diamonds wt-0.66 cts.
Gold wt-4.140 Gms.





Diamonds-
1.40mm, 65 pis
1.20mm, 8 pis
1.30mm, 4 pis

Diamonds wt-0.75 cts.
Gold wt-6.160 Gms.



Diamonds-
1.40mm, 77 pis

Diamonds wt-0.79 cts.
Gold wt-5.00 Gms.



Diamonds-
1.50mm, 2 pis
1.40mm, 42 pis

Diamonds wt-0.46 cts.
Gold wt-6.00 Gms.



Diamonds-
1.50mm, 10 pis
1.40mm, 28 pis
1.30mm, 24 pis
1.20mm, 8 pis

Diamonds wt-0.66 cts.
Gold wt-4.540 Gms.



Diamonds-
1.50mm, 15 pis
1.40mm, 21 pis
1.20mm, 22 pis
1.10mm, 6 pis
1.30mm, 4 pis

Diamonds wt-0.51 cts.
Gold wt-5.00 Gms.



Diamonds-
1.50mm, 10 pis
1.60mm, 3 pis
1.30mm, 22 pis
1.40mm, 36 pis

Diamonds wt-0.72 cts.
Gold wt-6.560 Gms.



Diamonds-
1.20mm, 12 pis
1.30mm, 42 pis

Diamonds wt-0.42 cts.
Gold wt-4.930 Gms.



Diamonds-
1.50mm, 10 pis
1.60mm, 3 pis
1.30mm, 34 pis
1.20mm, 42 pis
1.10mm, 8 pis

Diamonds wt-0.76 cts.
Gold wt-5.420 Gms.



Diamonds-
1.30mm, 51 pis
1.20mm, 18 pis
1.40mm, 9 pis

Diamonds wt-0.64 cts.
Gold wt-6.700 Gms.



Diamonds-
1.70mm, 8 pis
1.40mm, 12 pis
1.50mm, 4 pis
1.70mm, 6 pis
1.80mm, 1 pis

Diamonds wt-0.44 cts.
Gold wt-6.870 Gms.



Diamonds-
1.30mm, 40 pis
1.50mm, 1 pis
1.40mm, 49 pis

Diamonds wt-0.85 cts.
Gold wt-4.810 Gms.



Diamonds-

1.50mm, 3 pis

1.40mm, 77 pis

1.20mm, 8 pis

1.30mm, 8 pis

Diamonds wt-0.95 cts.

Gold wt-8.00 Gms.



Diamonds-
1.30mm, 20 pis
1.40mm, 9 pis
1.20mm, 46 pis

Diamonds wt-0.54 cts.
Gold wt-4.960 Gms.



Diamonds-
1.40mm, 21 pis
1.50mm, 37 pis

Diamonds wt-0.68 cts.
Gold wt-6.970 Gms.



Diamonds-
1.40mm, 15 pis
1.50mm, 7 pis
1.20mm, 84 pis
1.10mm, 16 pis

Diamonds wt-0.86 cts.
Gold wt-7.330 Gms.



Diamonds-
1.40mm, 15 pis
1.50mm, 7 pis
1.70mm, 2 pis
1.20mm, 26 pis

Diamonds wt-0.44 cts.
Gold wt-5.290 Gms.



Diamonds-
1.40mm, 33 pis
1.50mm, 15 pis
1.30mm, 16 pis

Diamonds wt-0.67 cts.
Gold wt-6.410 Gms.



Diamonds-
1.40mm, 6 pis
1.50mm, 1 pis
1.30mm, 64 pis
1.20mm, 12 pis

Diamonds wt-0.68 cts.
Gold wt-6.00 Gms.



Diamonds-
1.30mm, 44 pis
1.20mm, 16 pis
1.40mm, 9 pis

Diamonds wt-0.57 cts.
Gold wt-5.320 Gms.



Diamonds-

- 1.50mm, 1 pis
- 1.40mm, 21 pis
- 1.00mm, 4 pis
- 1.10mm, 2 pis
- 1.20mm, 14 pis
- 1.30mm, 32 pis

Diamonds wt-0.61 cts.
Gold wt-5.280 Gms.



Diamonds-
1.40mm, 30 pis
1.30mm, 30 pis
1.20mm, 10 pis

Diamonds wt-0.62 cts.
Gold wt-4.490 Gms.



Diamonds-
1.40mm, 9 pis
1.30mm, 42 pis
1.20mm, 4 pis

Diamonds wt-0.46 cts.
Gold wt-4.360 Gms.



Diamonds-

- 1.80mm, 1 pis
- 1.70mm, 6 pis
- 1.50mm, 3 pis
- 1.40mm, 6 pis
- 1.30mm, 16 pis
- 1.20mm, 8 pis

Diamonds wt-.42 cts.
Gold wt-4.050 Gms.



Diamonds-

1.70mm, 6 pis

1.80mm, 1 pis

1.50mm, 2 pis

1.30mm, 30 pis

1.40mm, 16 pis

Diamonds wt-0.62 cts.

Gold wt-4.740 Gms.



Diamonds-
1.80mm, 1 pis
1.70mm, 6 pis
1.30mm, 36 pis

Diamonds wt-0.43 cts.
Gold wt-6.100 Gms.



Diamonds-
1.30mm, 20 pis
1.50mm, 6 pis
1.60mm, 4 pis
1.40mm, 2 pis
1.90mm, 3 pis

Diamonds wt-0.41 cts.
Gold wt-4.990 Gms.



Diamonds-
1.20mm, 46 pis

Diamonds wt-0.30 cts.
Gold wt-5.00 Gms.



Diamonds-
1.40mm, 44 pis
1.30mm, 4 pis
1.70mm, 6 pis
1.80mm, 1 pis

Diamonds wt-0.62 cts.
Gold wt-6.870 Gms.



Diamonds-
1.20mm, 72 pis
1.10mm, 2 pis
1.80mm, 1 pis
1.70mm, 6 pis

Diamonds wt-0.61 cts.
Gold wt-4.740 Gms.



Diamonds-
1.30mm, 27 pis
1.50mm, 30 pis
1.40mm, 26 pis
1.20mm, 24 pis

Diamonds wt-1.01 cts.
Gold wt-8.330 Gms.



Diamonds-

1.20mm, 4 pis

1.30mm, 58 pis

1.60mm, 1 pis

1.40mm, 9 pis

Diamonds wt-0.59 cts.

Gold wt-5.850 Gms.



Diamonds-
1.20mm, 42 pis
1.10mm, 8 pis

Diamonds wt-0.31 cts.
Gold wt-4.530 Gms.



Diamonds-
1.30mm, 68 pis
1.40mm, 11 pis

Diamonds wt-0.65 cts.
Gold wt-6.890 Gms.



Diamonds-
1.40mm, 18 pis
1.30mm, 26 pis
1.10mm, 8 pis
1.80mm, 1 pis
1.70mm, 6 pis

Diamonds wt-0.78 cts.
Gold wt-5.770 Gms.



Diamonds-
1.30mm, 28 pis
1.20mm, 2 pis
1.50mm, 2 pis
1.40mm, 2 pis
1.70mm, 12 pis
1.80mm, 2 pis

Diamonds wt-0.55 cts.
Gold wt-4.850 Gms.



Diamonds-
1.40mm, 25 pis
1.50mm, 2 pis
1.20mm, 44 pis
1.30mm, 8 pis

Diamonds wt-0.63 cts.
Gold wt-5.660 Gms.



Diamonds-
1.40mm, 21 pis
1.50mm, 15 pis

Diamonds wt-0.40 cts.
Gold wt-4.440 Gms.



Diamonds-
1.40mm, 53 pis
1.50mm, 1 pis
1.30mm, 24 pis

Diamonds wt-0.75 cts.
Gold wt-7.390 Gms.

Diamonds-
1.20mm, 68pis.
1.00mm, 4pis.
1.10mm, 2pis.

Diamonds Wt- 0.47 Cts.
Gold Wt- 2.960 Gms.





Diamonds-
1.20mm, 16pis.

Diamonds Wt- 0.10 Cts.
Gold Wt- 1.800 Gms.



Diamonds-
1.40mm, 10pis.
1.50mm, 8pis.
1.30mm, 10pis.
1.20mm, 2pis.

Diamonds Wt- 0.30 Cts.
Gold Wt- 2.460 Gms.



Diamonds-
1.30mm, 12pis.
1.20mm, 43pis.
1.10mm, 2pis.
1.50mm, 2pis.

Diamonds Wt- 0.41 Cts.
Gold Wt- 2.800 Gms.



Diamonds-
1.20mm, 27pis.
1.30mm, 15pis.
1.50mm, 7pis.

Diamonds Wt- 0.39 Cts.
Gold Wt- 2.370 Gms.



Diamonds-
1.20mm, 7pis.
1.40mm, 4pis.
1.30mm, 20pis.

Diamonds Wt- 0.25 Cts.
Gold Wt- 2.230 Gms.



Diamonds-
1.40mm, 14pis.
1.00mm, 6pis.
1.10mm, 22pis.
1.20mm, 6pis.
1.30mm, 17pis.

Diamonds Wt- 0.45 Cts.
Gold Wt- 2.890 Gms.



Diamonds-
1.40mm, 36pis.
1.20mm, 16pis.
1.30mm, 4pis.

Diamonds Wt- 0.51 Cts.
Gold Wt- 3.530 Gms.



Diamonds-
1.30mm, 40pis.

Diamonds Wt- 0.34 Cts.
Gold Wt- 2.860 Gms.



Diamonds-
1.20mm, 28pis.
1.10mm, 10pis.
1.00mm, 4pis.
1.30mm, 4pis.

Diamonds Wt- 0.28 Cts.
Gold Wt- 2.300 Gms.



Diamonds-
1.40mm, 7pis.
1.20mm, 33pis.
1.10mm, 10pis.

Diamonds Wt- 0.40 Cts.
Gold Wt- 2.610 Gms.

Diamonds-
1.20mm, 58pis.
1.10mm, 6pis.
1.00mm, 8pis.
1.40mm, 3pis.

Diamonds Wt- 0.47 Cts.
Gold Wt- 2.610 Gms.





Diamonds-
1.30mm, 32pis.
1.20mm, 2pis.

Diamonds Wt- 0.28 Cts.
Gold Wt- 2.060 Gms.



Diamonds-
1.20mm, 36pis.
1.30mm, 20pis.

Diamonds Wt- 0.40 Cts.
Gold Wt- 2.480 Gms.



Diamonds-
1.20mm, 26pis.
1.10mm, 6pis.
1.00mm, 2pis.

Diamonds Wt- 0.19 Cts.
Gold Wt- 1.950 Gms.



Diamonds-
1.30mm, 34pis.
1.20mm, 15pis.
1.10mm, 2pis.

Diamonds Wt- 0.39 Cts.
Gold Wt- 2.340 Gms.



Diamonds-
1.20mm, 10pis.
1.30mm, 22pis.
1.10mm, 2pis.
1.00mm, 2pis.

Diamonds Wt- 0.26 Cts.
Gold Wt- 2.280 Gms.



Diamonds-
1.40mm, 8pis.
1.30mm, 7pis.
1.20mm, 1pis.
1.50mm, 9pis.

Diamonds Wt- 0.26 Cts.
Gold Wt- 1.960 Gms.



Diamonds-
1.10mm, 4pis.
1.20mm, 32pis.
1.30mm, 12pis.

Diamonds Wt- 0.33 Cts.
Gold Wt- 2.370 Gms.



Diamonds-
1.40mm, 15pis.
1.30mm, 4pis.
1.20mm, 31pis.

Diamonds Wt- 0.39 Cts.
Gold Wt- 2.700 Gms.



Diamonds-
1.20mm, 22pis.
2.00mm, 1pis.

Diamonds Wt- 0.17 Cts.
Gold Wt- 1.810 Gms.



Diamonds-
1.20mm, 28pis.
1.10mm, 20pis.

Diamonds Wt- 0.28 Cts.
Gold Wt- 2.490 Gms.



Diamonds-
1.30mm, 30pis.
1.20mm, 24pis.

Diamonds Wt- 0.40 Cts.
Gold Wt- 2.900 Gms.



Diamonds-
1.30mm, 2pis.
1.60mm, 2pis.
1.10mm, 34pis.

Diamonds Wt- 0.22 Cts.
Gold Wt- 2.370 Gms.

Diamonds-
1.60mm, 1pis.
1.30mm, 22pis.
1.20mm, 18pis.
1.50mm, 2pis.
1.40mm, 2pis.

Diamonds Wt- 0.36 Cts.
Gold Wt- 2.500 Gms.





Diamonds-
1.30mm, 34pis.
1.80mm, 2pis.
1.20mm, 18pis.

Diamonds Wt- 0.44 Cts.
Gold Wt- 2.390 Gms.



Diamonds-
1.50mm, 2pis.
1.40mm, 2pis.
1.30mm, 2pis.
1.10mm, 10pis.
1.20mm, 10pis.

Diamonds Wt- 0.18 Cts.
Gold Wt- 2.140 Gms.



Diamonds-
1.10mm, 17pis.
1.20mm, 28pis.
1.30mm, 6pis.

Diamonds Wt- 0.32 Cts.
Gold Wt- 3.000 Gms.



Diamonds-
1.20mm, 16pis.
1.30mm, 19pis.
1.40mm, 8pis.

Diamonds Wt- 0.34 Cts.
Gold Wt- 2.550 Gms.



Diamonds-

1.30mm, 10pis.

1.40mm, 10pis.

1.20mm, 12pis.

1.50mm, 4pis.

1.10mm, 42pis.

Diamonds Wt- 0.51 Cts.

Gold Wt- 3.160 Gms.



Diamonds-
1.30mm, 16pis.
1.20mm, 20pis.
1.10mm, 4pis.
1.40mm, 16pis.
1.00mm, 4pis.

Diamonds Wt- 0.46 Cts.
Gold Wt- 3.000 Gms.



Diamonds-
1.30mm, 42pis.

Diamonds Wt- 0.35 Cts.
Gold Wt- 2.470 Gms.

Diamonds-
1.50mm, 16pis.
1.10mm, 16pis.
1.20mm, 6pis.
1.30mm, 6pis.

Diamonds Wt- 0.34 Cts.
Gold Wt- 2.280 Gms.





Diamonds-
1.20mm, 16pis.
1.10mm, 2pis.
1.00mm, 4pis.

Diamonds Wt- 0.24 Cts.
Gold Wt- 2.800 Gms.



Diamonds-

1.60mm, 2pis.

1.10mm, 2pis.

1.20mm, 40pis.

1.30mm, 6pis.

1.40mm, 2pis.

Diamonds Wt- 0.37 Cts.

Gold Wt- 2.960 Gms.

























































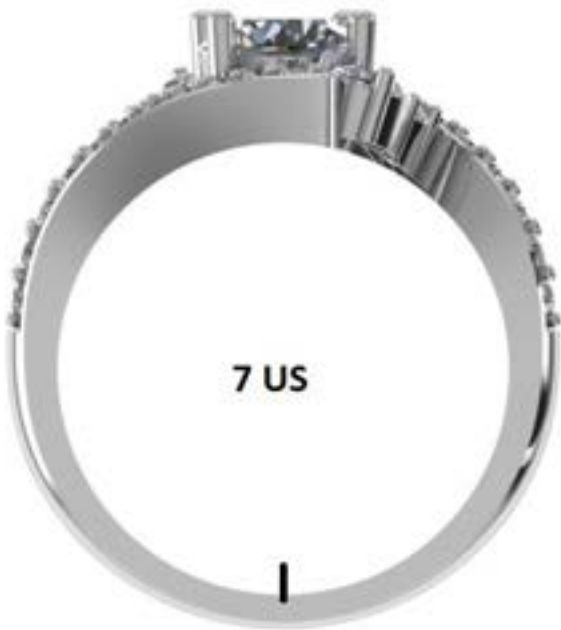






01

12.70 MM



7 US

1.30 MM



3.20 MM

ROU DIA - 6.50 X 6.50 =1 PCS

PEAR - 4.50 X 3.00 =2 PCS

SIEVE SIZE	DIA WT/PC	DIA MM	DIA PCS	DIA WT
2.5-3	0.010	1.30	4	0.04
3.5-4	0.012	1.40	4	0.05
10.5-11	0.074	2.60	2	0.15
		Total	10	0.24
		Gold Wt.	GM	Ratio: 0

14 KT - 4.60 GM

18 KT - 5.40 GM

8.60MM



SIZE -16 NO.

1.30MM



1.60MM

14KT WT.-3.00GM
18KT WT.-3.50GM

15.00MM



3



5.50MM



7 US



1.60MM

ROUND.

1.00MM

4.25X4.25MM-1PCS (0.28CT.)

SIEVE SIZE	DIA WT/PC	DIA MM	DIA PCS	DIA WT
4.5-5	0.014	1.50	22	0.31
7.5-8	0.035	2.00	18	0.63
8.5-9	0.044	2.20	10	0.44
		Total	50	1.38

14KT WT.-3.30GM

18KT WT.-4.00GM

16.40 MM



7 US



1.60 MM

14 KT - 3.50 GM

18 KT - 4.20 GM

SIEVE SIZE	DIA WT/PC	DIA MM	DIA PCS	DIA WT
6-6.5	0.021	1.70	6	0.13
7.5-8	0.035	2.00	4	0.14
8.5-9	0.044	2.20	4	0.18
9-9.5	0.052	2.30	10	0.52
12.5-13	0.108	3.00	1	0.11
		Total	25	1.07
		Gold Wt	GM	Ratio: 0

5

4.20 MM



1.80 MM

14 KT - 2.20 GM

18 KT - 2.60 GM

DIA - 4.30 X 4.30 = 7 PCS

12.00MM



7.00MM



US.-6.5

1.20MM



4.00MM

ROUND.

8.10X8.10MM-1PCS

SIEVE SIZE	DIA WT/PC	DIA MM	DIA PCS	DIA WT
00-000	0.005	0.90	6	0.03
0-00	0.005	1.00	6	0.03
0-1	0.006	1.10	22	0.13
1.5-2	0.008	1.20	2	0.02
2.5-3	0.010	1.30	8	0.08
3.5-4	0.012	1.40	8	0.10
		Total	52	0.38

14KT WT.-4.30GM
18KT WT..-5.20GM

7



10 KT WT:- 2.28 GM
RD 4.0 X 4.0 MM= 1
3.20 X 3.20 MM= 2

4.20 MM



4.90 MM



7 US.

1.10 MM



1.60 MM

10 KT - 1.60 GM
DIA - 3.70 X 3.70 = 1 PCS (0.20 CT)

18.40MM



SIZE -13 NO.

1.20MM



1.80MM

MARQUISE.

3X1.50MM-15PCS (0.025CT.) PER PCS.

SIEVE SIZE	DIA WT/PC	DIA MM	DIA PCS	DIA WT
0-00	0.005	1.00	8	0.04
0-1	0.006	1.10	42	0.25
1.5-2	0.008	1.20	12	0.10
		Total	62	0.39

14KT WT.-4.60GM

18KT WT.-5.60GM

15.30MM



7 US

1.30MM



1.80MM

SIEVE SIZE	DIA WT/PC	DIA MM	DIA PCS	DIA WT
2.5-3	0.010	1.30	2	0.02
5.5-6	0.018	1.60	6	0.11
6.5-7	0.025	1.80	6	0.15
		Total	14	0.28

14KT WT.-3.40GM
18KT WT.-4.00GM

13.80MM



11



NO.12

1.30MM



1.50MM

PEAR.

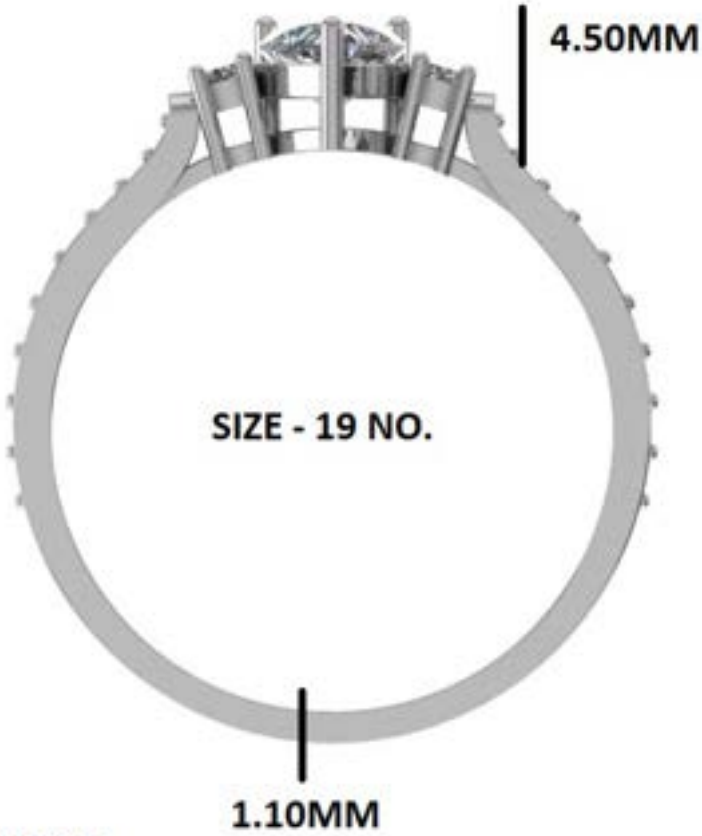
3X2MM-6PCS (0.13CT.) PER PCS

4X2.50MM-6PCS (0.18CT.) PER PCS

SIEVE SIZE	DIA WT/PC	DIA MM	DIA PCS	DIA WT
7.5-8	0.035	2.00	2	0.07
		Total	2	0.07

14KT WT.-1.90GM

18KT WT.-2.30GM

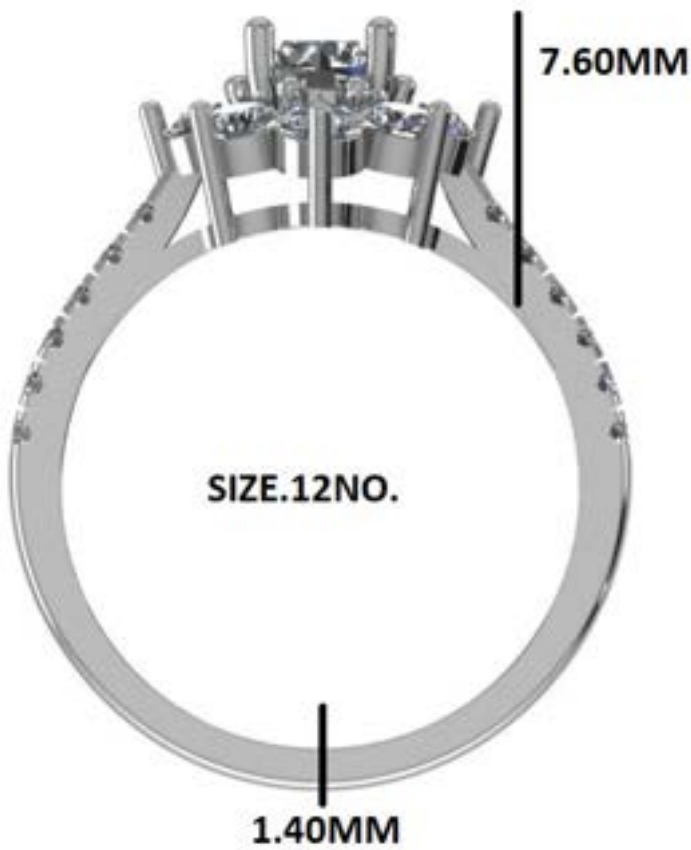


HEART.

5X5MM-1PCS (0.50CT.)

SIEVE SIZE	DIA WT/PC	DIA MM	DIA PCS	DIA WT
2.5-3	0.010	1.30	6	0.06
4.5-5	0.014	1.50	12	0.17
7.5-8	0.035	2.00	2	0.07
		Total	20	0.30

14KT WT.-1.90GM
18KT WT.-2.20GM



**ROUND.
5X5MM-1PCS (0.50CT.)**

SIEVE SIZE	DIA WT/PC	DIA MM	DIA PCS	DIA WT
4.5-5	0.014	1.50	12	0.17
11-11.5	0.078	2.70	8	0.62
		Total	20	0.79

**14KT WT.-2.40GM
18KT WT.-2.90GM**

14

10MM



24.50MM

PEAR - 9X7MM =1 (2CT)

1.60MM

SIEVE SIZE	DIA WT/PC	DIA MM	DIA PCS	DIA WT
2.5-3	0.010	1.30	18	0.18
		Total	18	0.18

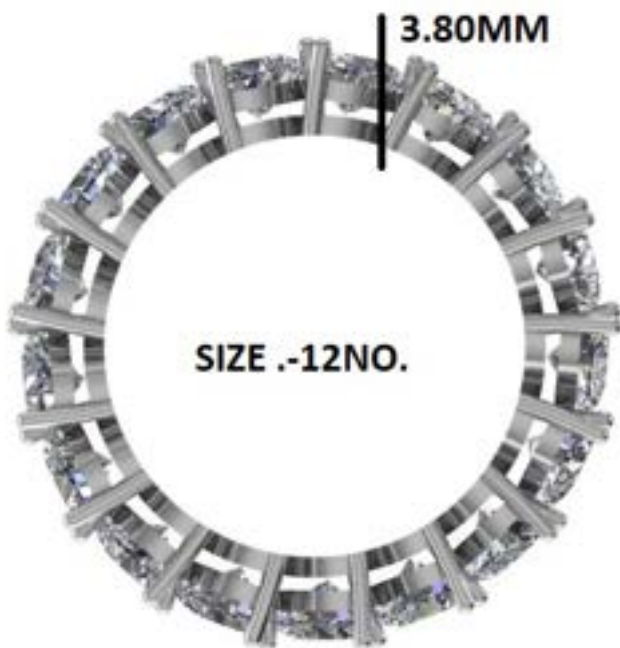
14 KT WT - 1.30

18 KT WT - 1.50

4.70MM



3.80MM



SIZE .-12NO.

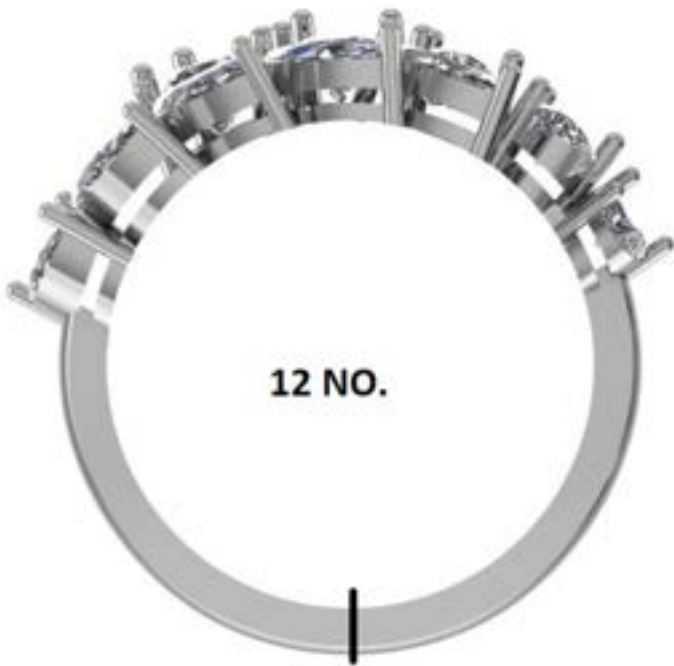


4.70MM

HEART.
4X4MM-17PCS (0.25CT.)PER PCS

14KT WT.-2.70GM
18KT WT.-3.20GM

15.50MM



12 NO.

1.60MM



1.80MM

PEAR.

5X3MM-1PCS (0.25CT.)

4.50X3MM-1PCS

4X2.50MM-1PCS (0.18CT.)

6X4MM-1PCS(0.50CT.)

5.50X3.50MM-1PCS

MARQUISE.

6X3MM-3PCS (0.25CT.) PER PCS

4.25X2.25MM-1PCS (0.12CT.)

5.50X2.75MM-1PCS (0.16CT.)

14KT WT.-2.90GM

18KT WT.-3.50GM

17
11.10MM



NO.12



PEAR - 9X7MM = 1

2.90MM

22.20MM

SIEVE SIZE	DIA WT/PC	DIA MM	DIA PCS	DIA WT
2.5-3	0.010	1.30	28	0.28
		Total	28	0.28

14 KT WT - 2.80

18 KT WT - 3.30

18

7.50 MM



4.90 MM



7.50 MM

EMERALD DIA - 7.00 X 5.00 =14 PCS (1.00 CT) PER PCS.

14 KT - 4.50 GM

18 KT - 5.30 GM

7.40 MM



19



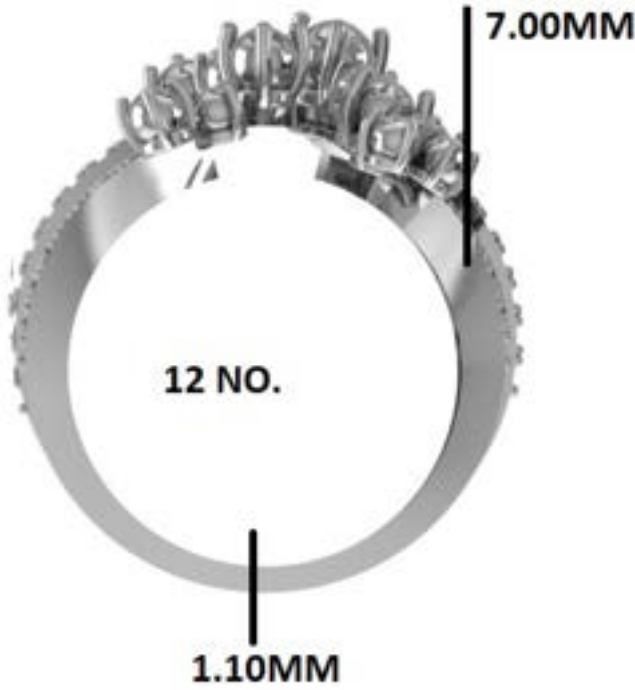
5.00 MM



7.40 MM

EMERALD DIA -6.50 X 4.50 = 5 PCS(0.75 CT) PER PCS.
OVAL DIA -7.00 X 5.00 = 5 PCS. (0.75 CT) PER PCS.
PEAR DIA - 7.00 X 5.00 = 5 PCS. (0.75 CT) PCE PCS.

14 KT - 4.50 GM
18 KT - 5.50 GM



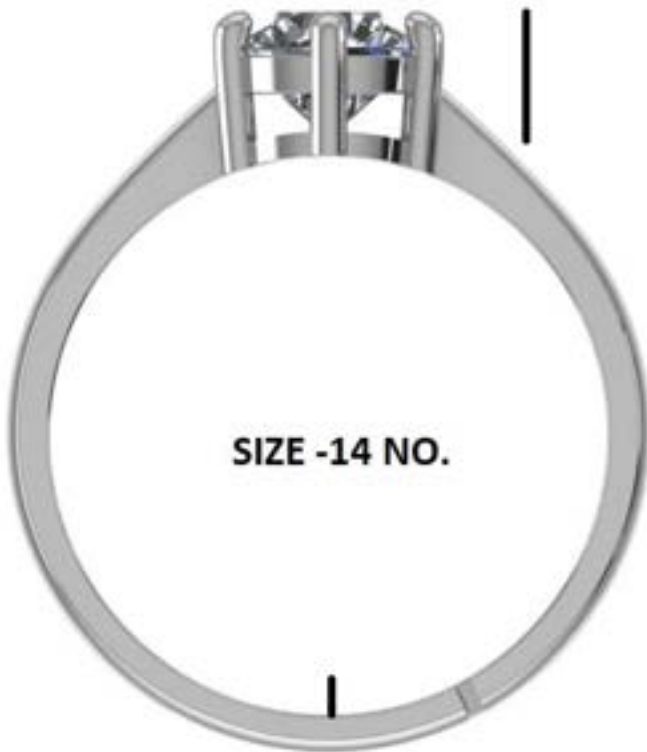
SIEVE SIZE	DIA WT/PC	DIA MM	DIA PCS	DIA WT
2.5-3	0.010	1.30	24	0.24
3.5-4	0.012	1.40	14	0.17
4.5-5	0.014	1.50	16	0.22
		Total	54	0.63

14KT WT.-5.90GM
18KT WT.-7.00GM

8.10 MM



4.80 MM



SIZE -14 NO.

1.20 MM



2.50 MM

RD DIA - 6.50 X 6.50 =1 PCS. (1.00 CT)

14 KT - 2.30 GM

18 KT - 2.70 GM

22

4.50 MM



3.10 MM



SIZE -14 NO.

1.30 MM



2.50 MM

14 KT - 2.00 GM

18 KT - 2.40 GM

RD DIA -3.50 X 3.50 = 5 PCS . (0.17 CT) PER PCS.

11.70 MM



23

6.00 MM



SIZE 12 NO.

1.20 MM



1.80 MM

DIA - 6.50 X 6.50 = 1 PCS. (1.00 CT)

SIEVE SIZE	DIA WT/PC	DIA MM	DIA PCS	DIA WT
6.5-7	0.025	1.80	14	0.35
		Total	14	0.35

14 KT - 2.60 GM

18 KT - 3.20 GM

6.50 MM



24



SIZE 13 NO.



6.50 MM

SIEVE SIZE	DIA WT/PC	DIA MM	DIA PCS	DIA WT
6-6.5	0.021	1.70	96	2.02
		Total	96	2.02

14 KT - 3.40 GM

18 KT - 4.00 GM

12.60MM



7.40MM



12 NO.

2.00MM



2.80MM

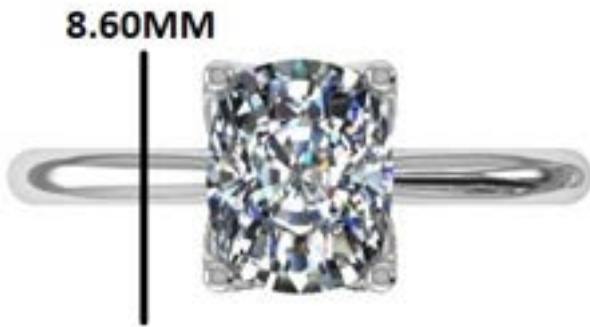
ROUND.

8.6X8.6MM-1PCS

SIEVE SIZE	DIA WT/PC	DIA MM	DIA PCS	DIA WT
3.5-4	0.012	1.40	22	0.26
4.5-5	0.014	1.50	24	0.34
6-6.5	0.021	1.70	2	0.04
6.5-7	0.025	1.80	8	0.20
7-7.5	0.029	1.90	6	0.17
		Total	62	1.02

14KT WT.-4.40GM

18KT WT.-5.20GM



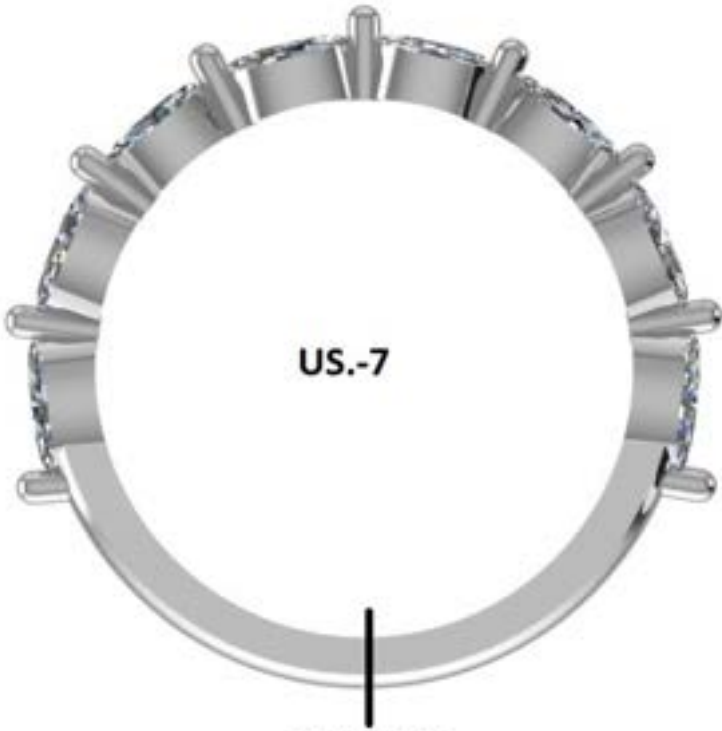
CUSHION.
8.67X6.90MM-1PCS

SIEVE SIZE	DIA WT/PC	DIA MM	DIA PCS	DIA WT
00-000	0.005	0.90	48	0.24
0-00	0.005	1.00	12	0.06
		Total	60	0.30

2.00MM

14KT WT.-3.10GM
18KT WT.-3.70GM

2.60MM



US.-7

1.70MM



1.80MM

MARQUISE.

4.10X2.30MM-1PCS

4.50X2.30MM-1PCS

4.60X2.20MM-1PCS

4X2.30MM-1PCS

4.40X2.40MM-1PCS

4.50X2.10MM-1PCS

4.70X2.30MM-1PCS

4.30X2.30MM-1PCS

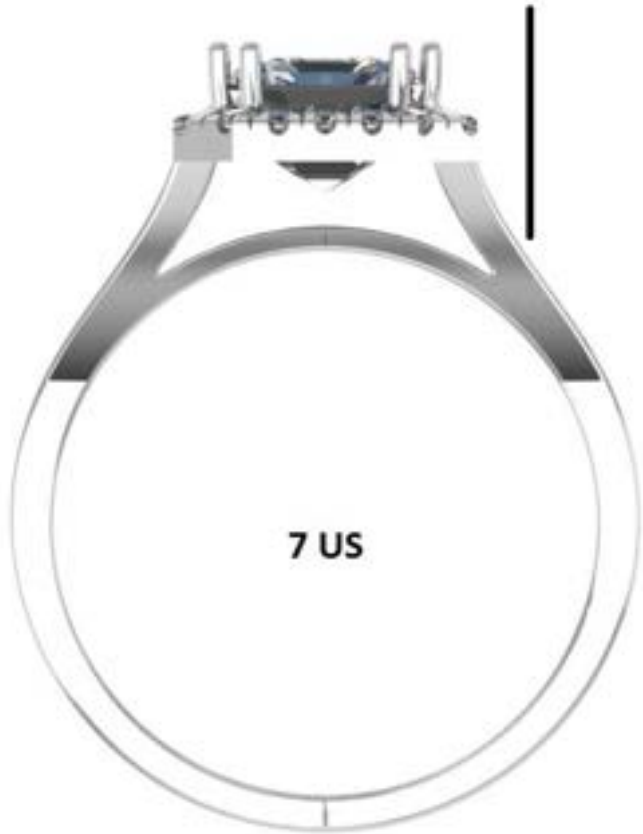
14KT WT.-1.80GM

18KT WT.-2.20GM

9.70 MM



9.20 MM



1.20 MM

SILVER WT - 2.20 GM
EMERALD SQUARE DIA - 6.70 X 6.70 =1 PCS.

SIEVE SIZE	DIA WT/PC	DIA MM	DIA PCS	DIA WT
2-2.5	0.009	1.25	20	0.18
		Total	20	0.18

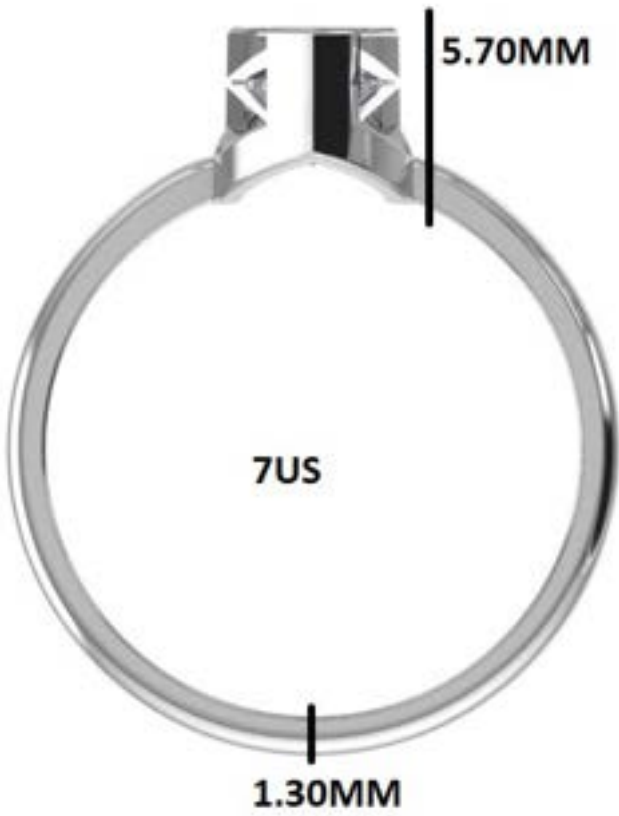
13.30 MM

29



MQ DIA - 6.70 X 3.60 = 2 PCS.
EMERALD DIA - 7.00 X 5.20 = 1 PCS.

SILVER WT - 2.90 GM



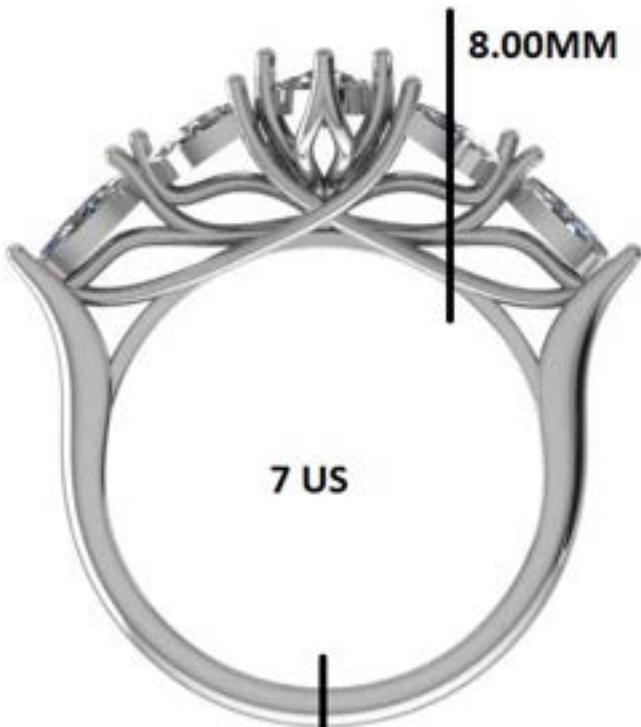
PEAR.
8.80X5.70MM-1PCS

14KT WT.-1.80GM
18KT WT.-2.10GM

11.50MM



8.00MM



7 US

1.60MM



2.00MM

MARQUISE.
5.20X2.50MM-6PCS
10.60X5.10MM-1PCS

14KT WT.-3.60GM
18KT WT.-4.30GM

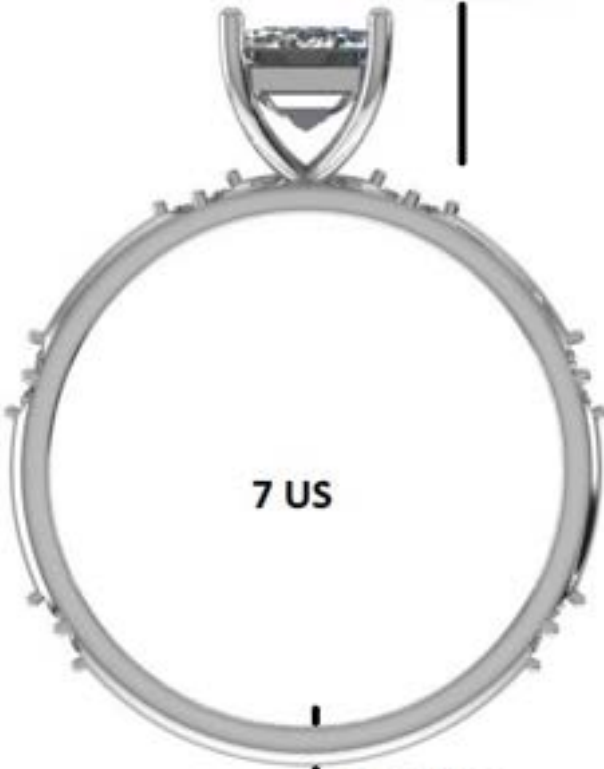
8.00 MM



32



7.00 MM



7 US

1.40 MM



1.80 MM

EMERALD DIA - 7.50 X 5.50 = 1 PCS.

SIEVE SIZE	DIA WT/PC	DIA MM	DIA PCS	DIA WT
1.5-2	0.008	1.20	12	0.10
		Total	12	0.10

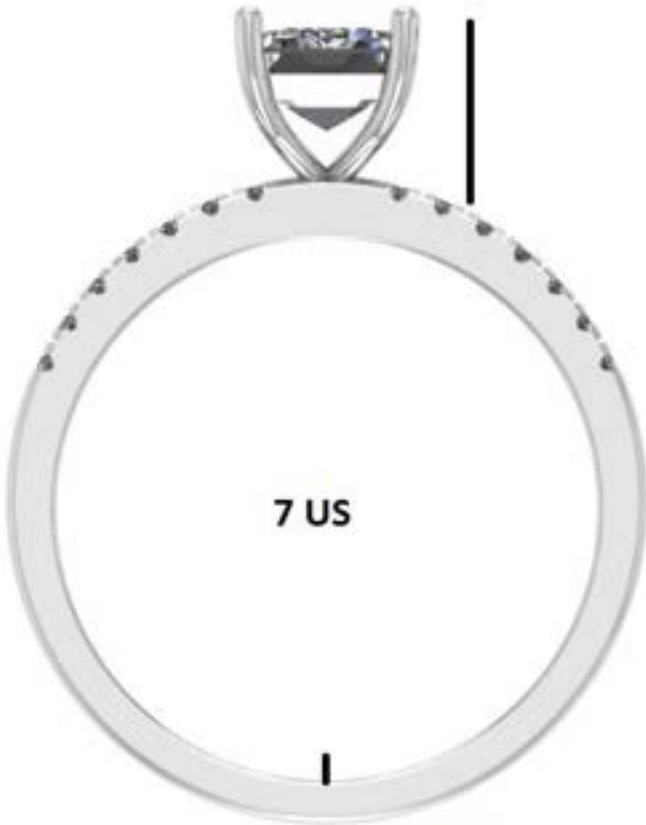
14 KT - 1.50 GM

18 KT - 1.80 GM

7.60 MM



33



7 US

1.45 MM



1.80 MM

EMERALD DIA -6.90 X 5.40 =1 PCS.

SIEVE SIZE	DIA WT/PC	DIA MM	DIA PCS	DIA WT
2-2.5	0.009	1.25	14	0.13
		Total	14	0.13

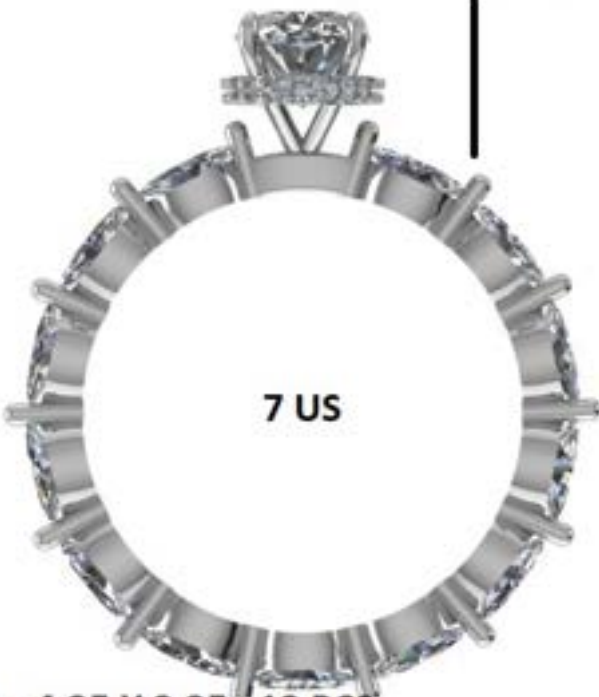
SILVER WT - 1.50 GM

8.70 MM



34

7.00 MM



7 US

MQ DIA - 4.25 X 2.25 =13 PCS.

OVAL DIA -8.30 X 5.80 =1 PCS.

SIEVE SIZE	DIA WT/PC	DIA MM	DIA PCS	DIA WT
00-000	0.005	0.90	20	0.10
		Total	20	0.10



2.20 MM

14 KT - 1.50 GM

18 KT - 1.80 GM

9.60 MM



35



6.40 MM



SIZE -14 NO.

1.60 MM



2.00 MM

EMERALD DIA - 8.50 X 6.50 =1 PCS.

PEAR DIA - 9.00 X 7.00 =1 PCS.

SIEVE SIZE	DIA WT/PC	DIA MM	DIA PCS	DIA WT
00-000	0.005	0.90	38	0.19
4.5-5	0.014	1.50	22	0.31
		Total	60	0.50

14 KT - 2.90 GM

18 KT - 3.60 GM

11.20 MM



36



11.50 MM



7 US

2.20 MM



3.40 MM

DIA - 11.50 X 11.50 = 1 PCS.

SIEVE SIZE	DIA WT/PC	DIA MM	DIA PCS	DIA WT
0-1	0.006	1.10	42	0.25
6.5-7	0.025	1.80	56	1.40
		Total	98	1.65

14 KT - 6.20 GM

18 KT - 7.30 GM

10.00 MM



37

10.10 MM



7 US

1.40 MM



2.20 MM

DIA - 11.00 X 11.00 X 6.50 = 1 PCS.

SIEVE SIZE	DIA WT/PC	DIA MM	DIA PCS	DIA WT
4.5-5	0.014	1.50	16	0.22
		Total	16	0.22

14 KT - 3.20 GM

18 KT - 3.80 GM

9.70 MM



38



7 US



3.80 MM

DIA -2.20 X 2.20 =10 (0.40) CT
DIA -7.40 X 7.40 =1 (1.52) CT

14 KT WT -5.00 GM
18 KT WT -6.00 GM

6.10 MM



39



5.80 MM



SIZE -12 NO.

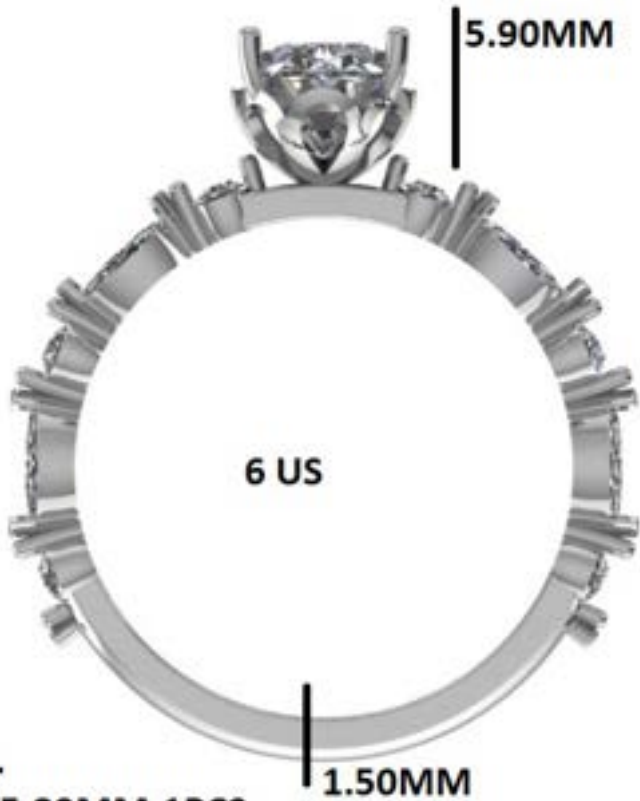
1.50 MM



1.80 MM

HEART DIA - 5.50 X 5.50 X = 1 PCS.

14 KT - 2.00 GM
18 KT - 2.40 GM



OVAL.
7.90X5.89MM-1PCS
MARQUISE.

4X2MM-4PCS (0.10CT.)PER PCS

SIEVE SIZE	DIA WT/PC	DIA MM	DIA PCS	DIA WT
7.5-8	0.035	2.00	6	0.21
		Total	6	0.21

14KT WT.-1.60GM
18KT WT.-1.90GM

11.50MM



7.00MM



17NO.



1.7MM 1.7MM

14KT WT.-5.20GM
18KT WT.-6.30GM

PRINCESS.
6X6MM-1PCS (1.25CT.)

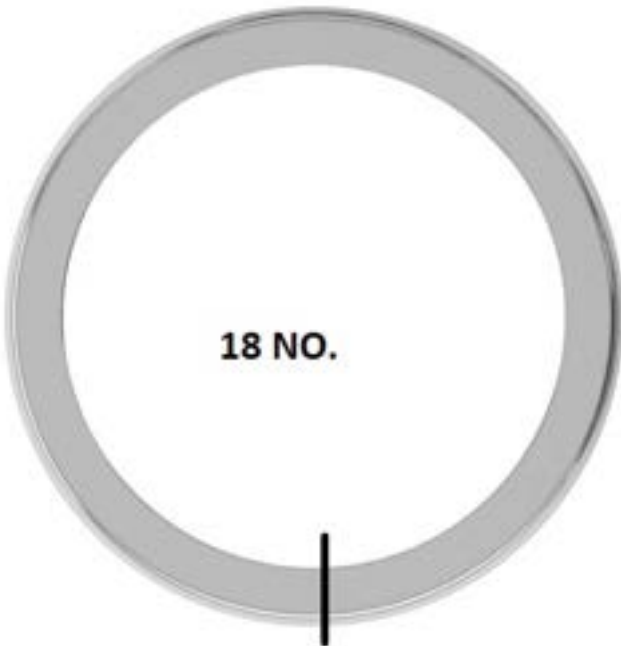
MARQUISE. 1.70MM
4X2MM-2PCS (0.10CT.)PER PCS
3X1.5MM-2PCS (0.025CT.) PER PCS

SIEVE SIZE	DIA WT/PC	DIA MM	DIA PCS	DIA WT
2.5-3	0.010	1.30	2	0.02
4.5-5	0.014	1.50	50	0.70
		Total	52	0.72

8.00MM



18 NO.



2.20MM



8.00MM

ROUND.
3X3MM-20PCS (0.10CT.) PER PCS

14KT WT.-7.80GM
18KT WT.-9.30GM

43

14.72 MM



10.45 MM



US.7

1.5 MM



29.30 MM

2.50 MM

SIEVE SIZE	DIA WT/PC	DIA MM	DIA PCS	DIA WT
00-000	0.005	0.90	20	0.10
0-00	0.005	1.00	10	0.05
8-8.5	0.039	2.10	16	0.62
		Total	46	0.77
		Gold Wt	GM	Ratio: 0

EMERALD - 14.65X9.76 - 1 PCS.
SIDE CADILLAC - 7.5X4.70 - 2 PCS.

14KT WT.-5.50GM
18KT WT.-6.50GM



1.60MM

**ROUND.
6.50X6.50MM-1PCS (1CT.)**

SIEVE SIZE	DIA WT/PC	DIA MM	DIA PCS	DIA WT
1.5-2	0.008	1.20	12	0.10
6-6.5	0.021	1.70	6	0.13
		Total	18	0.22

**14KT WT.-2.60GM
18KT WT.-3.00GM**

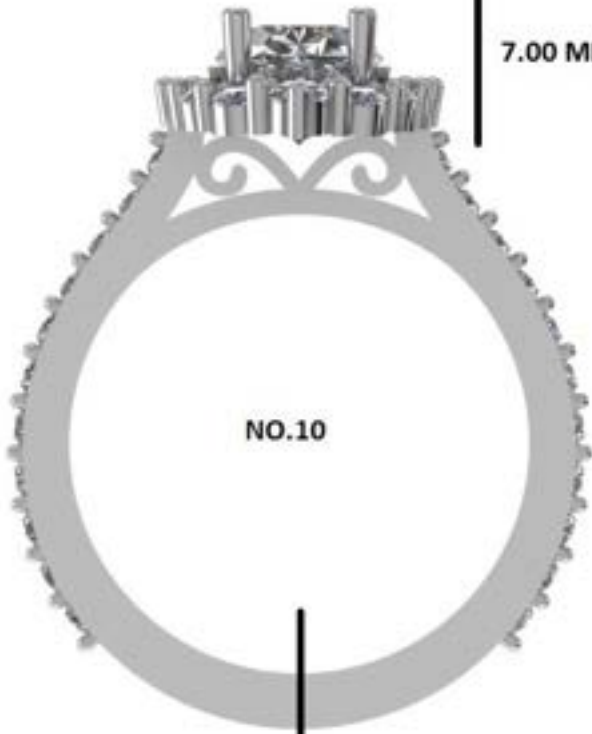
14.25 MM



45



7.00 MM



NO.10

1.9 MM

OVAL - 8.65X6.25 - 1 PCS.

SIEVE SIZE	DIA WT/PC	DIA MM	DIA PCS	DIA WT
1.5-2	0.008	1.20	6	0.05
2.5-3	0.010	1.30	26	0.26
4.5-5	0.014	1.50	4	0.05
6-6.5	0.021	1.70	4	0.08
8.5-9	0.044	2.20	2	0.09
		Total	42	0.54
		Gold Wt:	GM	Ratio: 0

24.45 MM



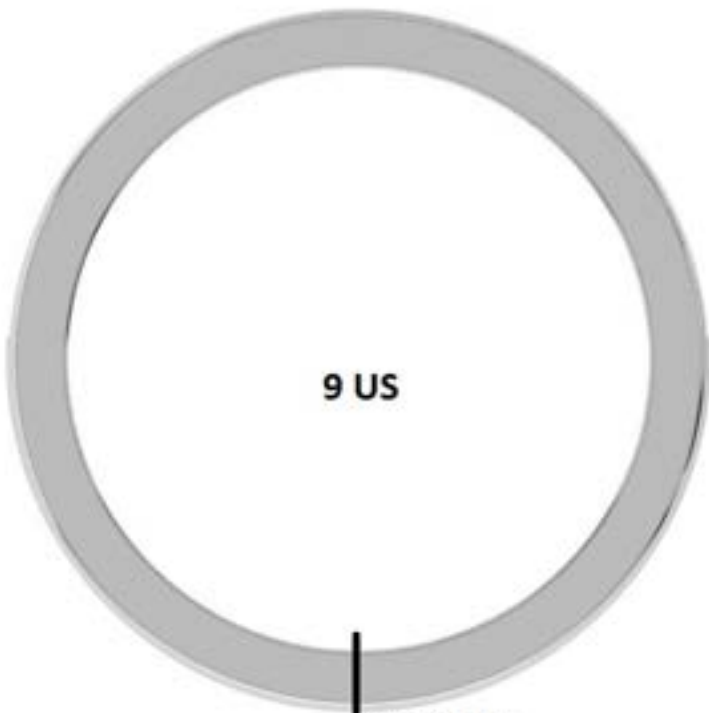
2.00 MM

GOLD WT. -
14 KT - 3.18 GM
18 KT - 3.80 GM

4.50 MM



46



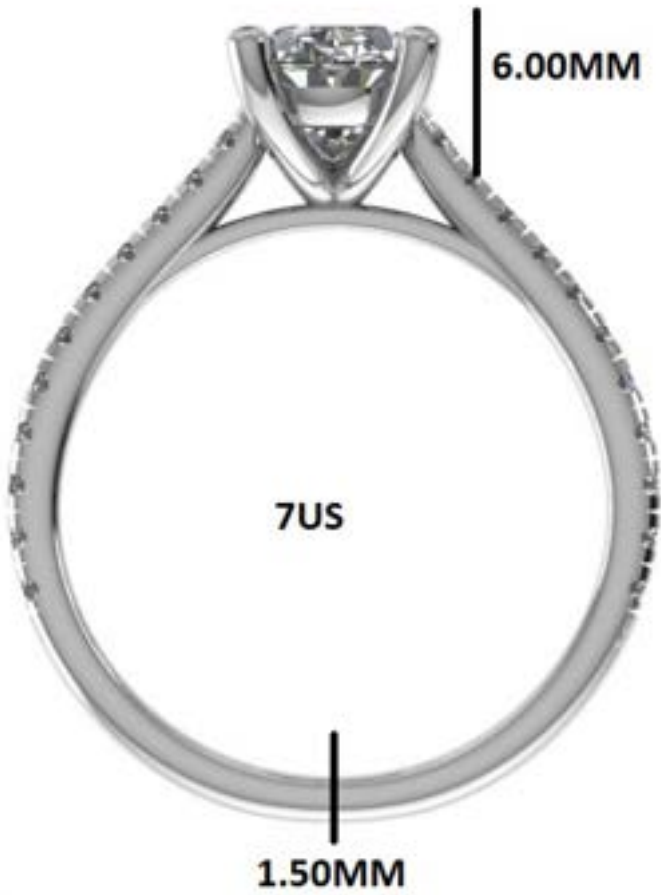
9 US

2.00 MM



4.50 MM

BUG DIA - 3.00X 1.50 = 21 PCS.
14 KT - 4.50 GM
18 KT - 5.40 GM



1.90MM

OVAL.
9X7MM-1PCS (2.00CT.)

SIEVE SIZE	DIA WT/PC	DIA MM	DIA PCS	DIA WT
3.5-4	0.012	1.40	22	0.26
Total			22	0.26

14KT WT.-2.30GM
18KT WT.-2.80GM

6.52 mm



48

7.50 mm



NO. 12.5

1.7 mm



25.90 mm

3.00 mm

RD - 6.60x6.60 - 1 pcs

SIEVE SIZE	DIA WT/PC	DIA MM	DIA PCS	DIA WT
2.5-3	0.010	1.30	2	0.02
5.5-6	0.018	1.60	2	0.04
6-6.5	0.021	1.70	2	0.04
6.5-7	0.025	1.80	8	0.20
		Total	14	0.30
		Gold Wt	GM	Ratio: 0

14 kt wt - 3.38 gm

18 kt wt - 4 gm



**PEAR.
12X8MM-1PCS (3.00CT.)**

SIEVE SIZE	DIA WT/PC	DIA MM	DIA PCS	DIA WT
2.5-3	0.010	1.30	4	0.04
3.5-4	0.012	1.40	4	0.05
4.5-5	0.014	1.50	44	0.62
10-10.5	0.069	2.50	1	0.07
		Total	53	0.77

3.60MM

**14KT WT.-3.10GM
18KT WT.-3.70GM**

20.00MM



US.-7

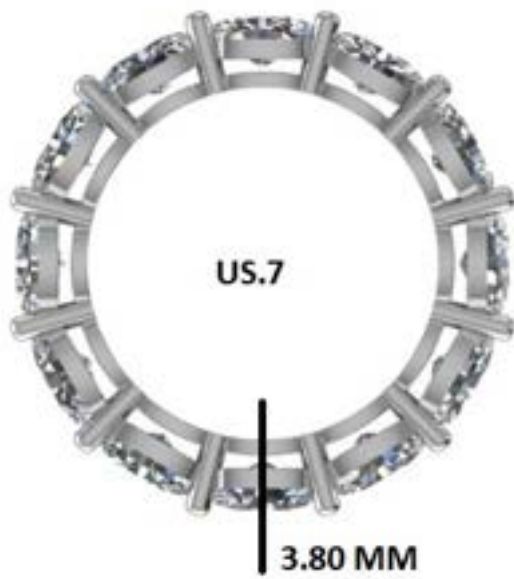
1.40MM



2.00MM

EMERALD.
 9X7MM-1PCS(2.50CT.)
 PEAR.
 10X7MM-1CPS
 MARQUISE.
 3X1.50MM-12PCS (0.025CT.) PER PCS

14KT WT.-5.70GM
 18KT WT.-6.80GM



OVAL -
5.75 X 4.00 - 12 PCS.

14 KT WT. - 4.00 GM
18 KT WT. - 4.80 GM

14.00 MM



52

7.50 MM



US.8

2.00 MM



27.50 MM

2.9 MM

CUSHION - 9.95 X 9.51 - 1 PCS.

SIEVE SIZE	DIA WT/PC	DIA MM	DIA PCS	DIA WT
6-6.5	0.021	1.70	20	0.42
10-10.5	0.069	2.50	12	0.83
		Total	32	1.25
		Gold Wt	GM	Ratio: D

14 KT WT. - 3.00 GM

18 KT WT. - 3.60 GM

4.20 MM



DIA- 3.80 X 3.80 = 20

14 KT - 4.60 GM

18 KT - 5.40 GM

8.70 MM



54



9 US

1.80 MM

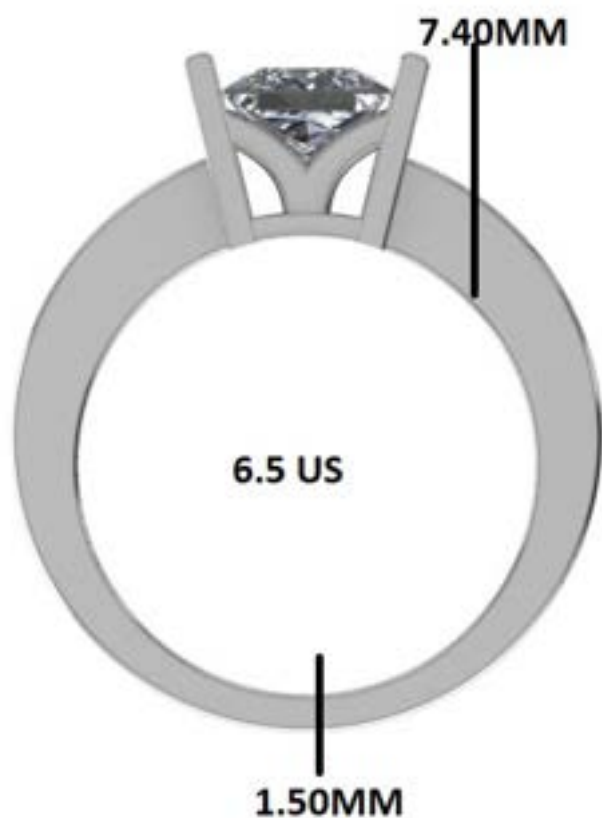


2.50 MM

DIA - 7.30 X 7.30 = 1 (1.50 CT)

14 KT - 6.10 GM

18 KT - 7.30 GM



PRINCESS.
2.50X2.50MM-10PCS (0.10CT.)
6.30X6.20MM-1PCS

14KT WT.-4.90GM
18KT WT.-5.80GM

56

8.00 MM



5.80 MM



7 US

1.20 MM



1.60 MM

PRINCESS DIA -5.70 X 5.70 =1 PCS.

SIEVE SIZE	DIA WT/PC	DIA MM	DIA PCS	DIA WT
0-00	0.005	1.00	4	0.02
0-1	0.006	1.10	36	0.22
1.5-2	0.008	1.20	2	0.02
2.5-3	0.010	1.30	20	0.20
		Total	62	0.45
		Gold Wt:	GM	Ratio: 0

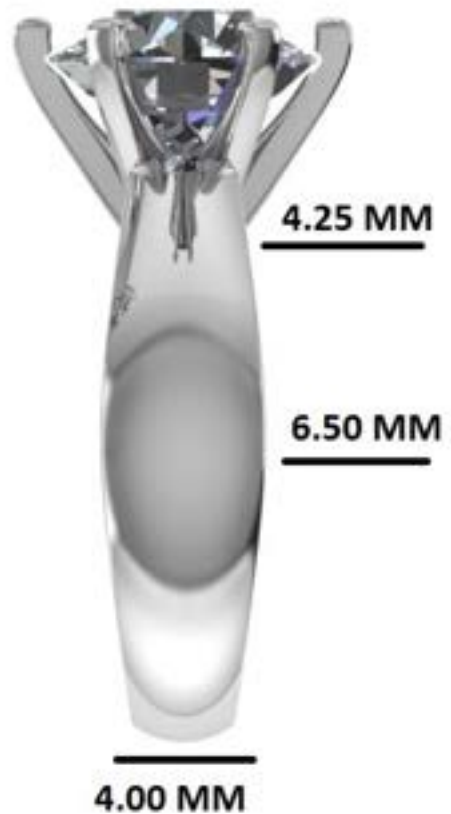
14 KT - 2.20 GM
18 KT - 2.60 GM

57

13.40 MM



10.20 MM



RD DIA - 11.00 X 11.00 =1 PCS.

14 KT - 11.00 GM

18 KT - 13.60 GM

14 KT - 9.00 GM

18 KT - 10.60 GM

58

7.40 MM



5.60 MM



5.5 US

1.70 MM



2.00 MM

DIA -5.00 X 5.00 =1 PCS.

SIEVE SIZE	DIA WT/PC	DIA MM	DIA PCS	DIA WT
1.5-2	0.008	1.20	16	0.13
		Total	16	0.13
		Gold Wt	GM	Ratio: 0

14 KT - 2.30 GM

18 KT - 2.70 GM

17.90 MM



59



7.00 MM



6 US

1.40 MM



1.80 MM

MQ DIA -16.40 X 8.90 =1 PCS.

14 KT - 2.20 GM

18 KT- 2.70 GM

10.20MM



60



9.80MM



7.5 US

1.40MM



2.30MM

14KT WT.-4.60GM

18KT WT.-5.40GM

ROUND.

8.3X8.3MM-1PCS

11.20 MM



61



4.70 MM



5 US

1.70 MM



2.00 MM

RADIANT DIA - 10.40 X 8.90 = 1 PCS.
TRAPAZIOD DIA - 6.80 X 4.00 X 3.20 = 2 PCS.

14 KT - 3.60 GM
18 KT - 4.30 GM

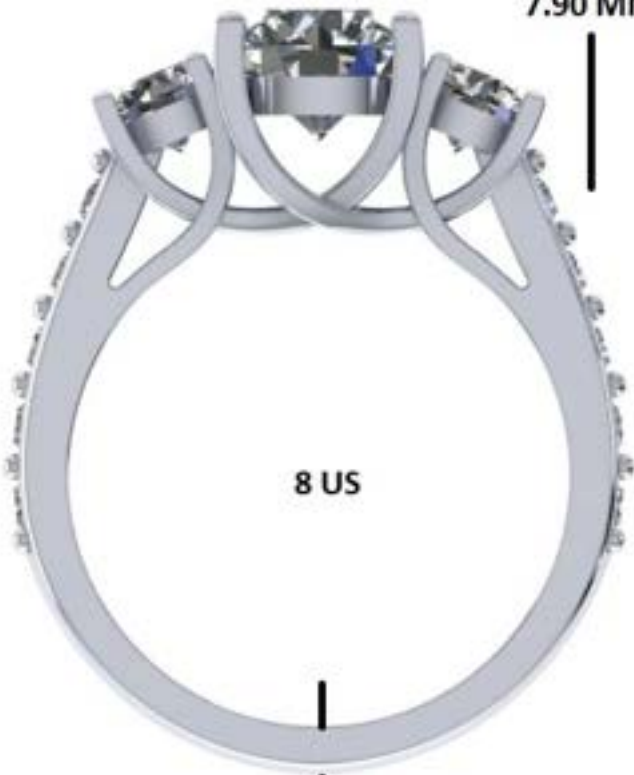
6.70 MM



62



7.90 MM



8 US

1.60 MM



3.10 MM

DIA - 5.00 X 5.00 = 2 PCS.

7.80 X 7.80 = 1 PCS.

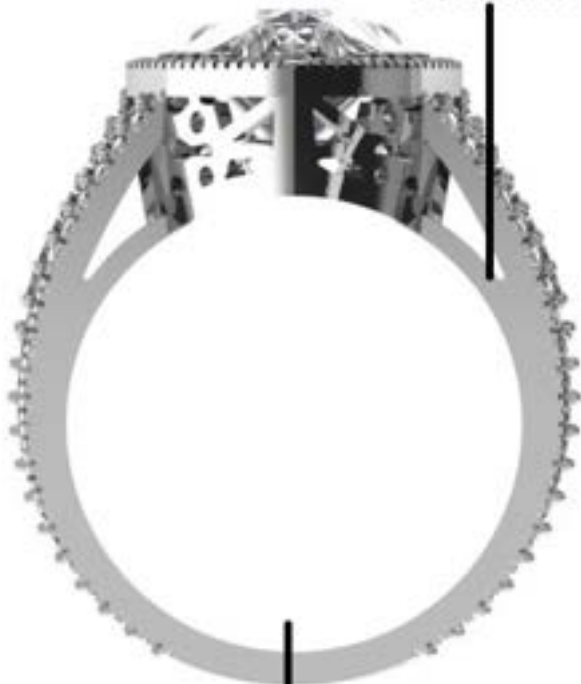
SIEVE SIZE	DIA WT/PC	DIA MM	DIA PCS	DIA WT
11-11.5	0.078	2.70	10	0.78
Total			10	0.78

Platinum WT - 7.90 GM

16.20MM



7.80MM



1.20MM



1.80MM

PEAR.

12.10X8.10MM-1PCS

SIEVE SIZE	DIA WT/PC	DIA MM	DIA PCS	DIA WT
0-00	0.005	1.00	84	0.42
		Total	84	0.42

14KT WT.-3.80GM

18KT WT.-4.60GM

11.80 MM



64



5.30 MM



6.5 US

1.50 MM



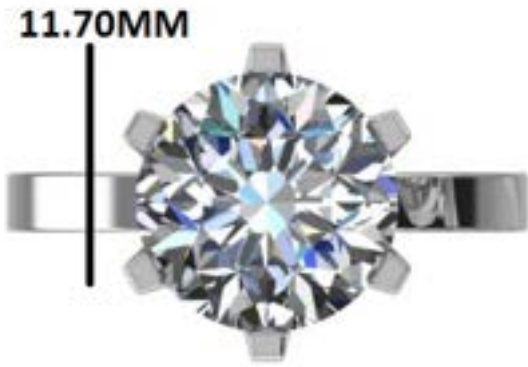
3.50 MM

DIA - 6.60 X 6.60 = 1 PCS.

SIEVE SIZE	DIA WT/PC	DIA MM	DIA PCS	DIA WT
0-00	0.005	1.00	2	0.01
0-1	0.006	1.10	18	0.11
2.5-3	0.010	1.30	4	0.04
		Total	24	0.16

14 KT - 3.70 GM

18 KT - 4.50 GM



ROUND.
9.50X9.50MM-1PCS (3.35CT.)

14KT WT.-3.60GM
18KT WT.-4.30GM

10.50 MM

66

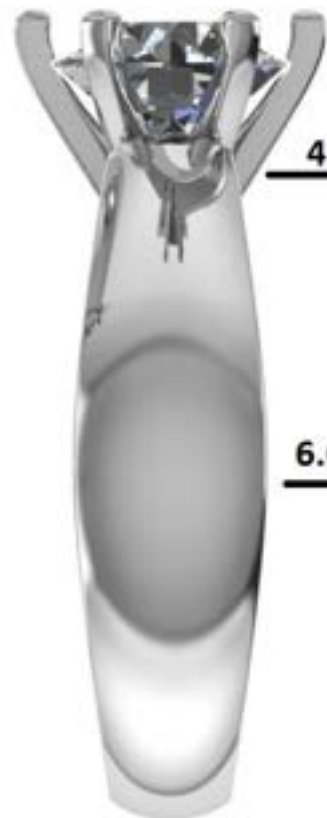


8.80 MM



6.75 US

1.40 MM



4.00 MM

6.60 MM

4.00MM

DIA - 8.20 X 8.20 = 1 PCS.

14 KT - 8.90 GM

18 KT - 10.70 GM

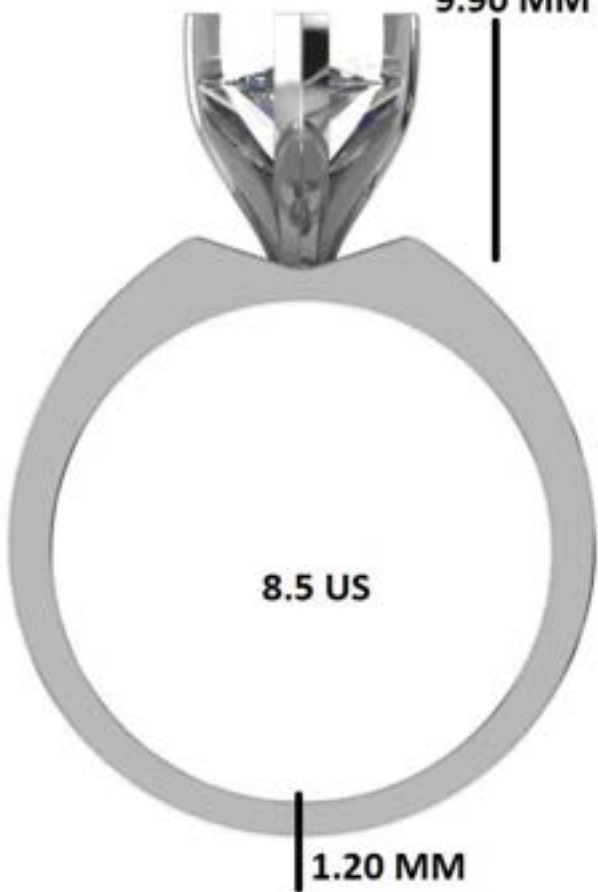
15.90 MM



67



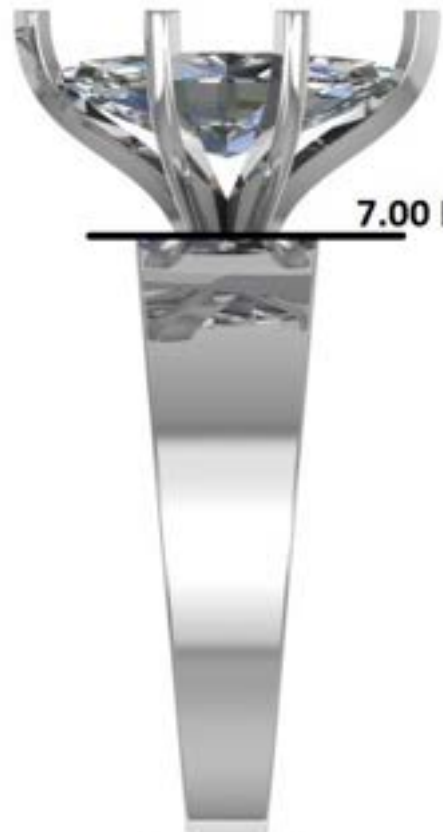
9.90 MM



8.5 US

1.20 MM

7.00 MM



3.00 MM

MQ DAI - 14.00 X 7.00 = PCS.

14 KT - 6.60 GM

18 KT - 7.90 GM

7.10 MM



68



7.50 MM



6.5 US

1.40 MM



1.80 MM

PRINCESS DIA - 5.90 X 5.90 = 1 PCS
ROUND DAI - 2.70 X 2.70 = 10 PCS.

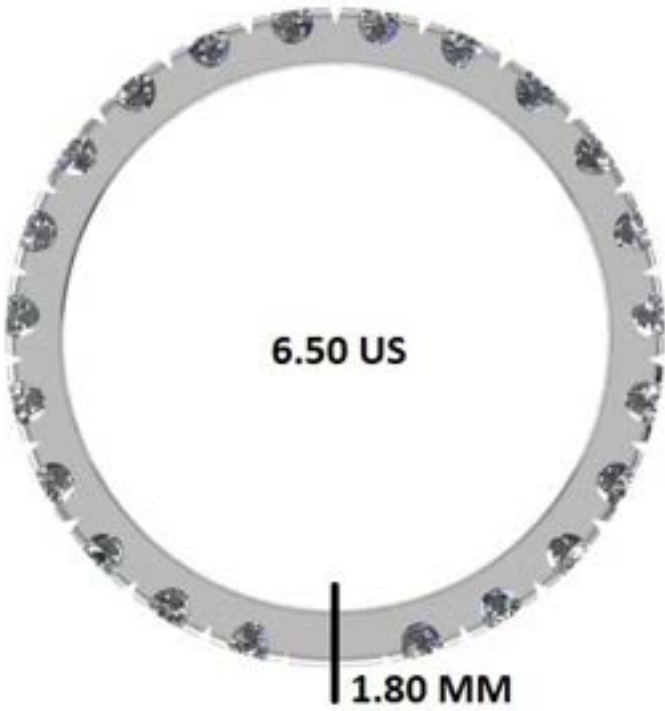
14 KT - 2.10 GM
18 KT - 2.60 GM

69

3.00 MM



6.50 US



3.00 MM

SIEVE SIZE	DIA WT/PC	DIA MM	DIA PCS	DIA WT
9.5-10	0.058	2.40	22	1.28
		Total	22	1.28

14 KT - 1.70 GM

18 KT - 2.00 GM

14.30MM



6.40MM



11.25 US

1.40MM



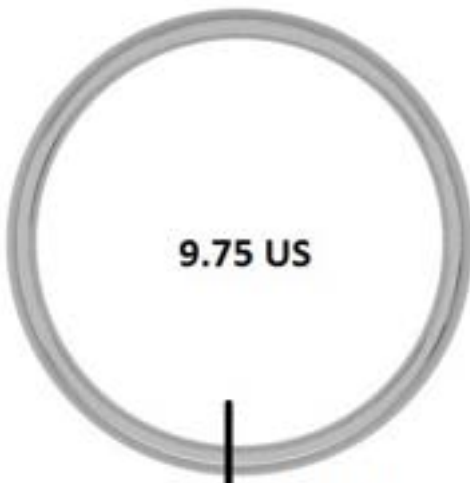
4.00MM

ROUND.
8.70X8.70MM-1PCS (2.50CT.)

14KT WT.-12.30GM
18KT WT.-14.70GM

71

6.00 MM



9.75 US

1.50 MM



6.00 MM

14 KT WT. - 4.90 GM

18 KT WT. - 5.80 GM

7.20 mm



72



7.60 mm



7.25 US

1.80 mm



3.00 mm

CUSHION DIA - 7.00 X 6.20 X 4.50 = 1 PCS.

SIEVE SIZE	DIA WT/PC	DIA MM	DIA PCS	DIA WT
0-1	0.006	1.10	20	0.12
1.5-2	0.008	1.20	136	1.09
		Total	156	1.21

14 kt - 4.40 gm

18 kt - 5.30 gm

12.35 MM



73



8.50 MM

3.50 MM



8 US

2.60 MM

2.00 MM

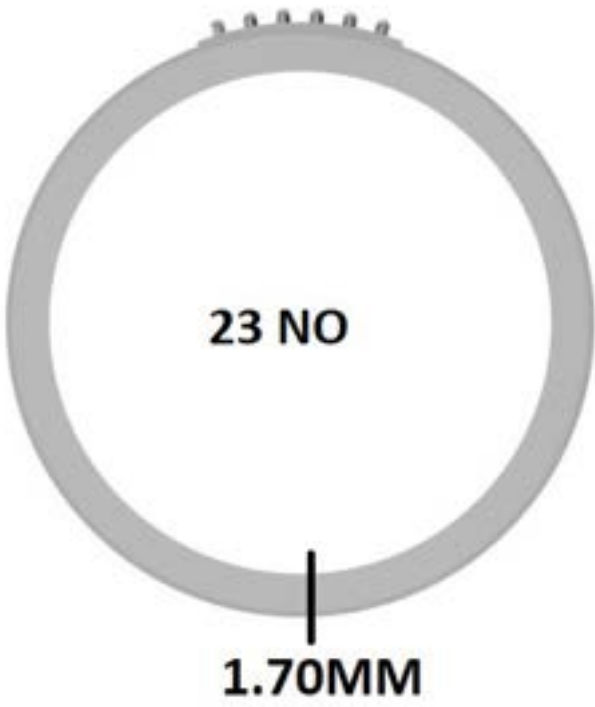


3.60 MM

SIEVE SIZE	DIA WT/PC	DIA MM	DIA PCS	DIA WT
1 5-2	0.006	1.20	92	0.74
2 5-3	0.010	1.30	13	0.13
		Total	105	0.87

14 KT - 6.70 GM
18 KT - 8.00 GM

5.50MM



SIEVE SIZE	DIA WT/PC	DIA MM	DIA PCS	DIA WT
1.5-2	0.008	1.20	5	0.04
		Total	5	0.04

14KT WT.-5.60GM
18KT WT.-6.60GM



ROUND DIA - 5.00 X 5.00 = 1 (0.50 CT)

SIEVE SIZE	DIA WT/PC	DIA MM	DIA PCS	DIA WT
2.5-3	0.010	1.30	49	0.49
		Total	49	0.49

**14 KT - 3.50 GM
18 KT - 4.20 GM
SILVER - 2.80 GM**



ROUND DIA - 6.10 X 6.10 = 1 (0.84 CT)

SIEVE SIZE	DIA WT/PC	DIA MM	DIA PCS	DIA WT
2.5-3	0.010	1.30	50	0.50
		Total	50	0.50

**14 KT - 4.50 GM
18 KT - 5.40 GM
SILVER - 3.60 GM**



ROUND DIA - 6.10 X 6.10 = 1 (0.84 CT)

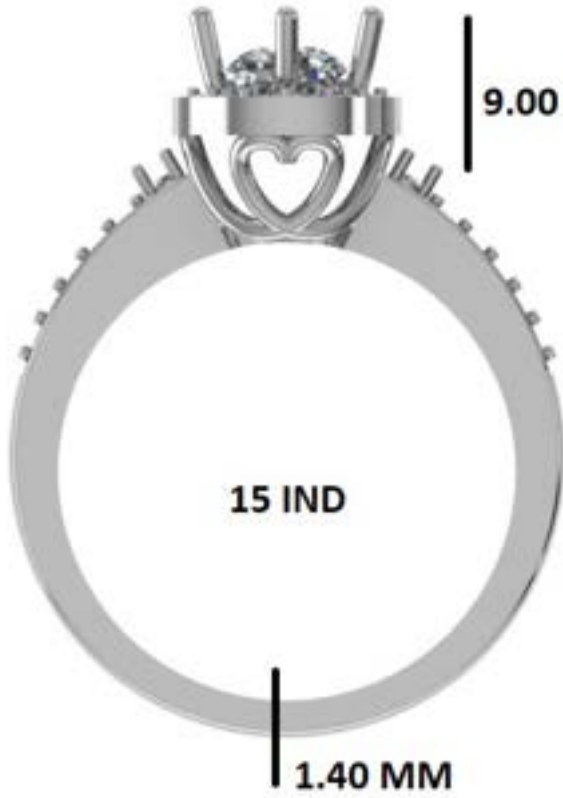
SIEVE SIZE	DIA WT/PC	DIA MM	DIA PCS	DIA WT
2.5-3	0.010	1.30	14	0.14
		Total	14	0.14

**14 KT - 3.50 GM
18 KT - 4.10 GM
SILVER - 2.80 GM**

8.70 MM



9.00 MM



15 IND

1.40 MM



2.60 MM

ROUND DIA - 5.00 X 5.00 = 1 (0.50 CT)

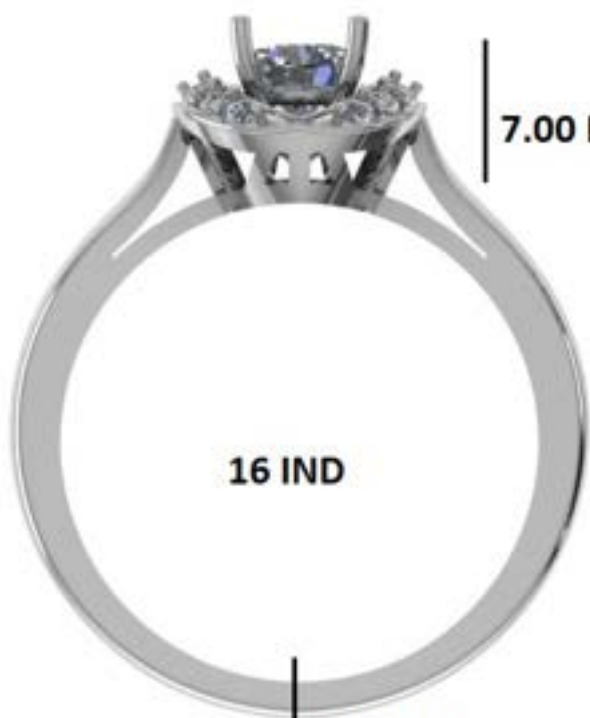
SIEVE SIZE	DIA WT/PC	DIA MM	DIA PCS	DIA WT
2.5-3	0.010	1.30	26	0.26
		Total	26	0.26

**14 KT - 3.60 GM
18 KT - 4.30 GM
SILVER - 2.90 GM**

9.70 MM



7.00 MM



16 IND

1.40 MM

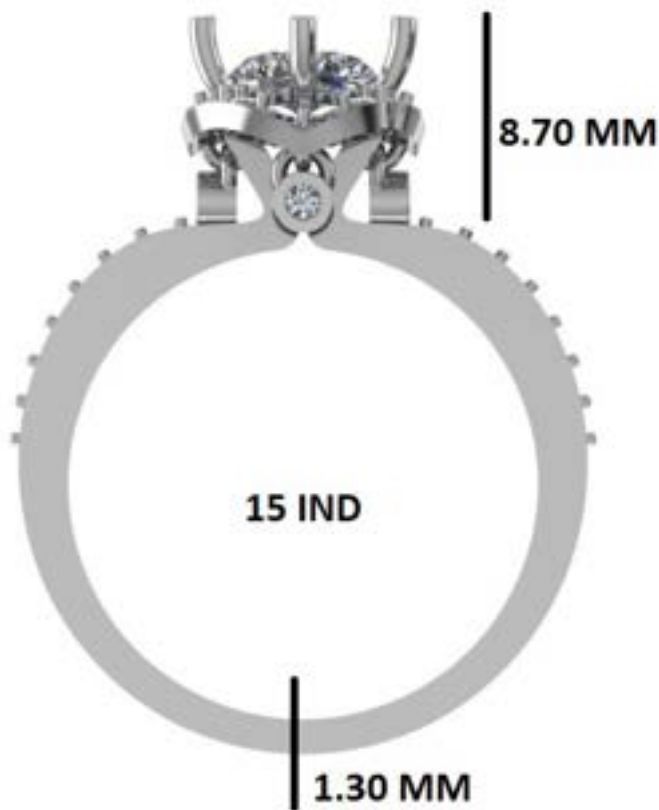


1.50 MM

ROUND DIA - 6.10 X 6.10 = 1 (0.84 CT)

SIEVE SIZE	DIA WT/PC	DIA MM	DIA PCS	DIA WT
2.5-3	0.010	1.30	14	0.14
		Total	14	0.14

14 KT - 3.50 GM
18 KT - 3.90 GM
SILVER - 2.60 GM



ROUND DIA - 6.10 X 6.10 = 1 (0.84 CT)

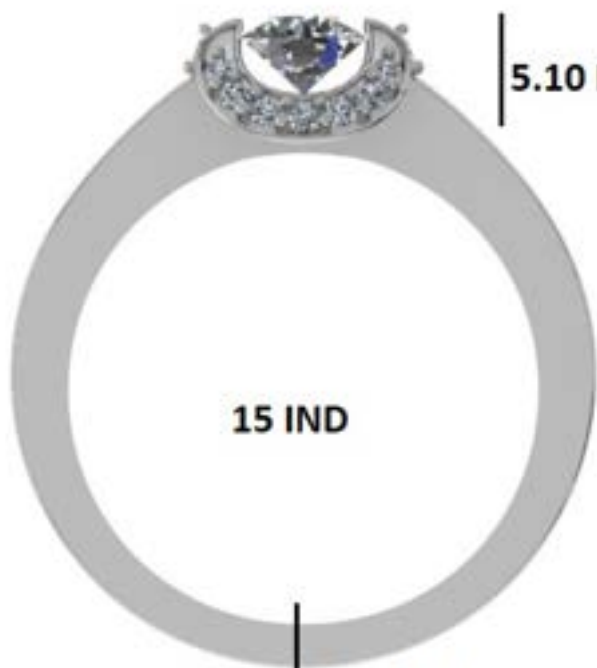
SIEVE SIZE	DIA WT/PC	DIA MM	DIA PCS	DIA WT
2.5-3	0.010	1.30	34	0.34
		Total	34	0.34

**14 KT - 4.70 GM
18 KT - 4.40 GM
SILVER - 3.00 GM**

7.50 MM



5.10 MM



15 IND

1.70 MM



1.50 MM

ROUND DIA - 5.00 X 5.00 = 1 (0.50 CT)

SIEVE SIZE	DIA WT/PC	DIA MM	DIA PCS	DIA WT
2.5-3	0.010	1.30	16	0.16
		Total	16	0.16

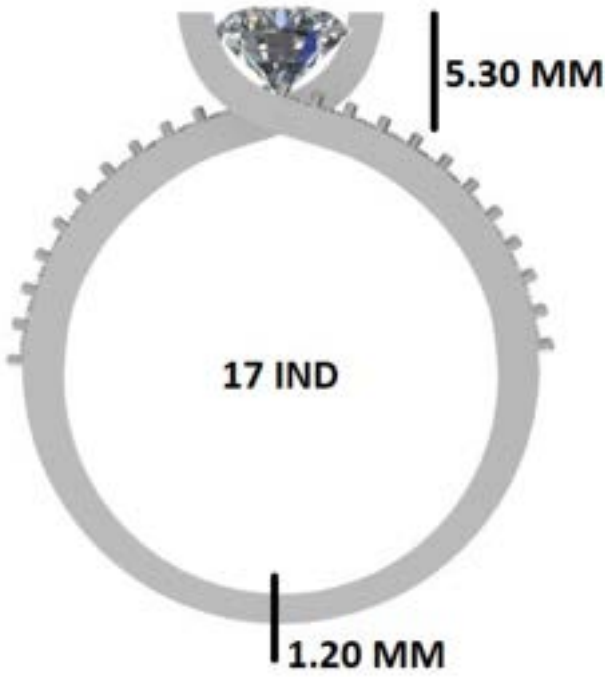
14 KT - 3.00 GM
18 KT - 3.60 GM
SILVER - 2.40 GM



ROUND DIA - 5.00 X 5.00 = 1 (0.50 CT)

SIEVE SIZE	DIA WT/PC	DIA MM	DIA PCS	DIA WT
0-00	0.005	1.00	1	0.01
2.5-3	0.010	1.30	4	0.04
		Total	5	0.05

14 KT - 2.70 GM
18 KT - 3.30 GM
SILVER - 2.20 GM



ROUND DIA - 6.10 X 6.10 = 1 (0.84 CT)

SIEVE SIZE	DIA WT/PC	DIA MM	DIA PCS	DIA WT
2.5-3	0.010	1.30	33	0.33
		Total	33	0.33

14 KT - 3.10 GM
18 KT - 3.70 GM
SILVER - 2.50 GM



ROUND DIA - 5.00 X 5.00 = 1 (0.50 CT)

SIEVE SIZE	DIA WT/PC	DIA MM	DIA PCS	DIA WT
00-000	0.005	0.90	8	0.04
0-00	0.005	1.00	24	0.12
2.5-3	0.010	1.30	42	0.42
		Total	74	0.58

14 KT - 4.20 GM
18 KT - 5.00 GM
SILVER - 3.30 GM



ROUND DIA - 5.00 X 5.00 = 1 (0.50 CT)

14 KT - 3.60 GM
18 KT - 4.30 GM
SILVER - 2.90 GM



ROUND DIA - 5.00 X 5.00 = 1 (0.50 CT)

SIEVE SIZE	DIA WT/PC	DIA MM	DIA PCS	DIA WT
1.5-2	0.008	1.20	14	0.11
7.5-8	0.035	2.00	2	0.07
		Total	16	0.18

14 KT - 3.30 GM
18 KT - 4.00 GM
SILVER - 2.70 GM

11.10 MM



4.70 MM



1.50 MM



5.50 MM

ROUND DIA - 5.00 X 5.00 = 1 (0.50 CT)

SIEVE SIZE	DIA WT/PC	DIA MM	DIA PCS	DIA WT
1.5-2	0.008	1.20	46	0.37
4.5-5	0.014	1.50	17	0.24
		Total	63	0.61

14 KT - 6.10 GM
18 KT - 7.30 GM
SILVER - 4.90 GM

5.50 MM



6.00 MM



14 IND

1.60 MM



2.80 MM

ROUND DIA - 4.75 X 4.75 = 1 (0.44 CT)

14 KT - 2.50 GM
18 KT - 3.00 GM
SILVER - 2.00 GM

5.80 MM



4.90 MM



9 IND

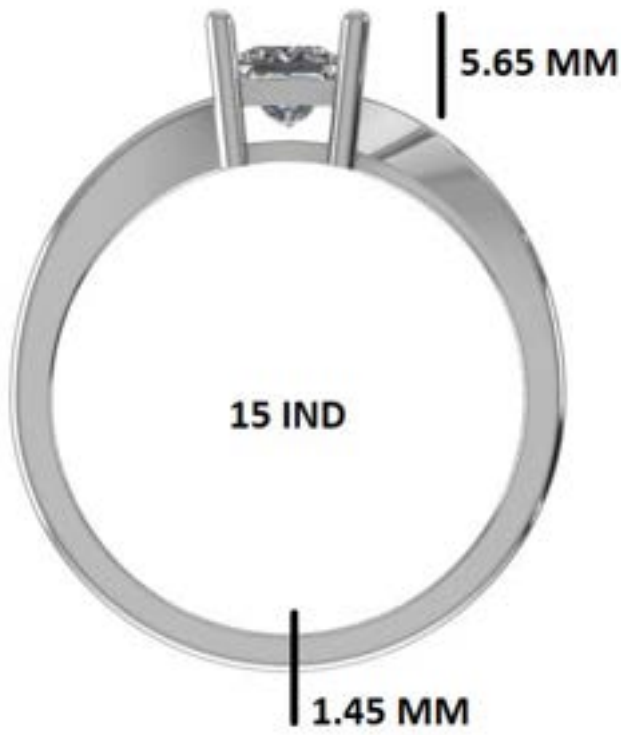
1.50 MM



2.60 MM

PRINCESS DIA - 4.10 X 4.10 = 1 (0.39 CT)
ROUND DIA - 3.35 X 3.35 = 2 (0.14 CT) PAR PCS

14 KT - 2.70 GM
18 KT - 3.20 GM
SILVER - 2.20 GM



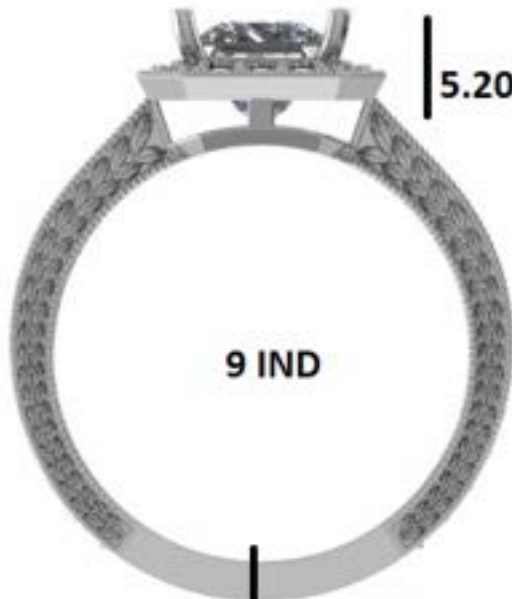
PRINCESS DIA - 4.35X 4.35 = 1 (0.44 CT)

14 KT - 2.80 GM
18 KT - 3.40 GM
SILVER - 2.30 GM

9.50 MM



5.20 MM



9 IND

1.55 MM



2.10 MM

PRINCESS DIA - 5.45 X 5.30 = 1

SIEVE SIZE	DIA WT/PC	DIA MM	DIA PCS	DIA WT
2-2.5	0.009	1.25	42	0.38
		Total	42	0.38

14 KT - 2.40 GM
18 KT - 2.90 GM
SILVER - 2.00 GM

3.90 MM



14 IND

2.10 MM



3.90 MM

MARQUISE DIA - 4.00 X 2.00 = 22 (0.10 CT) PAR PCS

SIEVE SIZE	DIA WT/PC	DIA MM	DIA PCS	DIA WT
5.5-6	0.018	1.60	22	0.40
		Total	22	0.40

**14 KT - 2.30 GM
18 KT - 2.80 GM
SILVER - 1.90 GM**

4.00 MM



5 IND

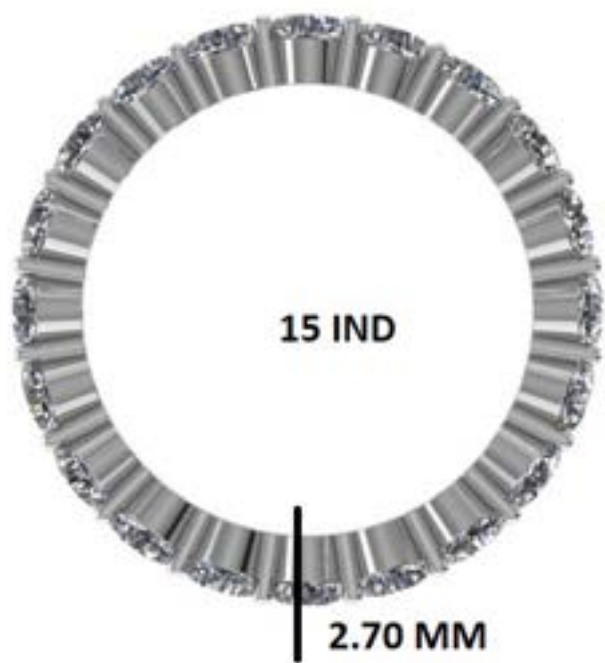
2.80 MM



4.00 MM

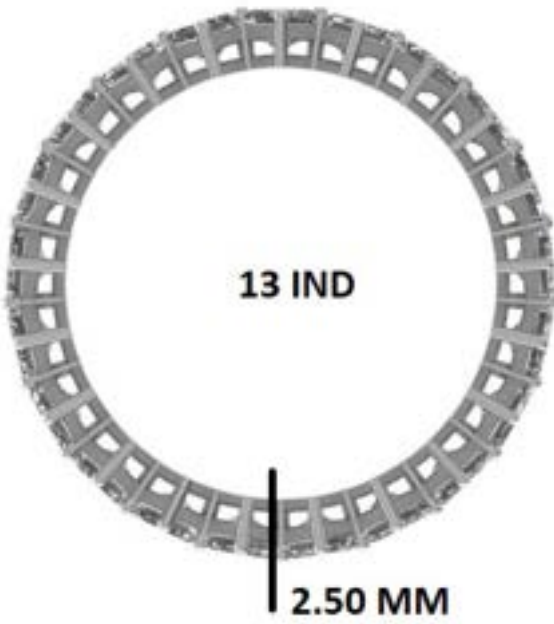
HEART DIA - 3.50 X 3.50 = 22 (0.18 CT) PAR PCS

14 KT - 2.30 GM
18 KT - 2.70 GM
SILVER - 1.80 GM



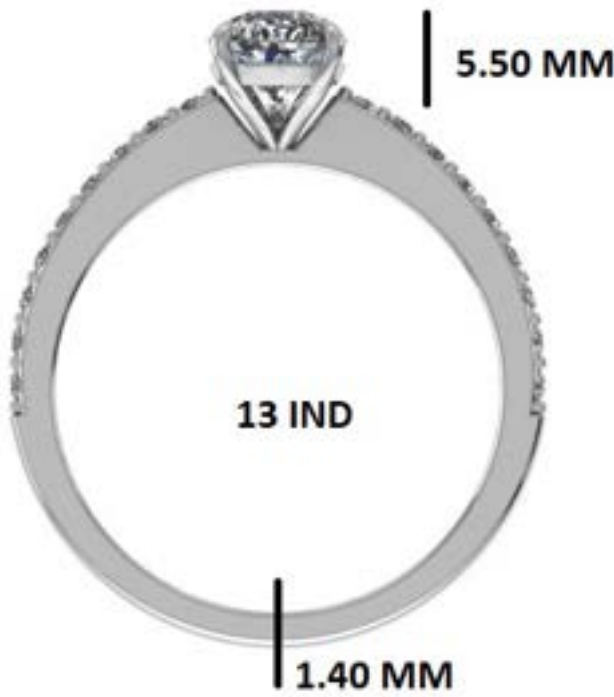
CUSHION SQUARE DIA - 3.00 X 3.00 = 20

14 KT - 1.70 GM
18 KT - 2.10 GM
SILVER - 1.40 GM



EMERALD SQUARE DIA - 2.50 X 2.50 = 21 PAR PCS

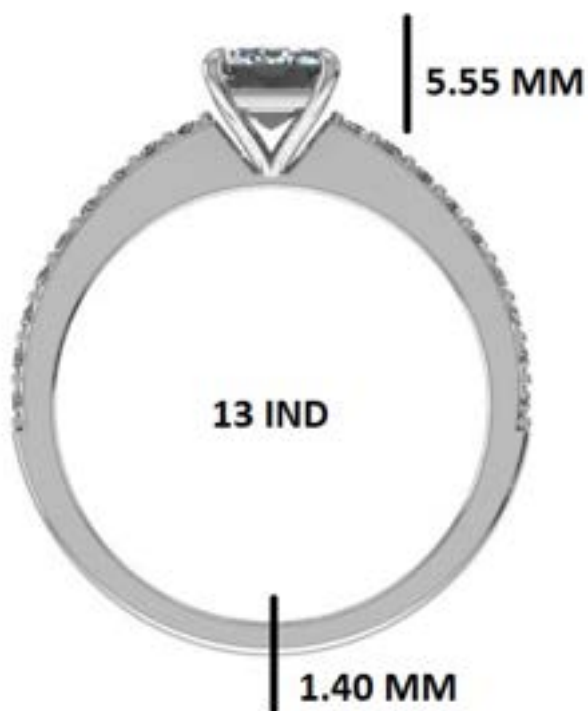
14 KT - 1.30 GM
18 KT - 1.50 GM
SILVER - 1.00 GM



PEAR DIA - 8.00 X 5.50 = 1 (1.25 CT)

SIEVE SIZE	DIA WT/PC	DIA MM	DIA PCS	DIA WT
4.5-5	0.014	1.50	18	0.25
		Total	18	0.25

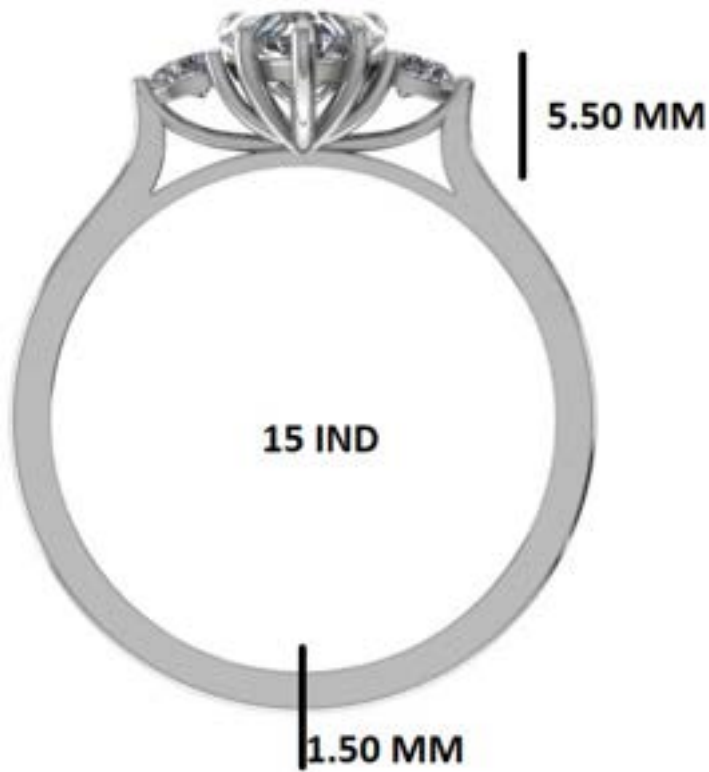
**14 KT - 1.80 GM
18 KT - 2.20 GM
SILVER - 1.50 GM**



EMERALD DIA - 7.00 X 5.00 = 1 (1.00 CT)

SIEVE SIZE	DIA WT/PC	DIA MM	DIA PCS	DIA WT
4.5-5	0.014	1.50	18	0.25
		Total	18	0.25

**14 KT - 1.80 GM
18 KT - 2.10 GM
SILVER - 1.40 GM**



HEART DIA - 6.00 X 6.00 = 1 (0.75 CT)
PEAR DIA - 3.00 X 2.00 = 2 (0.13 CT)

14 KT - 1.50 GM
18 KT - 1.80 GM
SILVER - 1.20 GM



EMERALD SQUARE - 3.00 X 3.00 = 21 PAR PCS

14 KT - 1.80 GM
18 KT - 2.20 GM
SILVER - 1.50 GM

7.40 MM



6.00 MM

1.50 MM



1.70 MM

ROUND DIA - 4.00 X 4.00 = 2 (0.25 CT) PAR PCS
OVAL DIA - 8.00 X 6.00 = 1 (1.25 CT)

14 KT - 1.90 GM
18 KT - 2.20 GM
SILVER - 1.50 GM



























































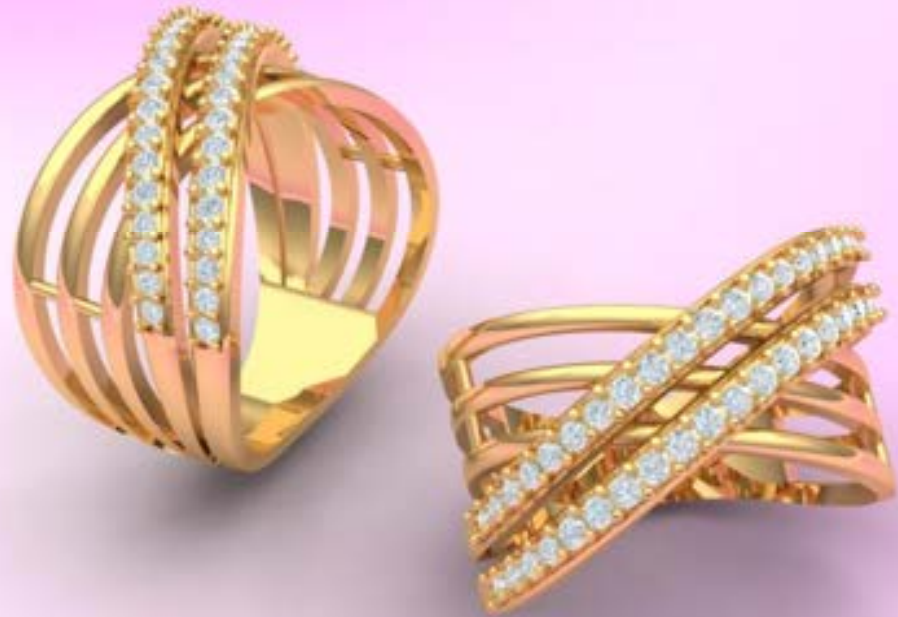












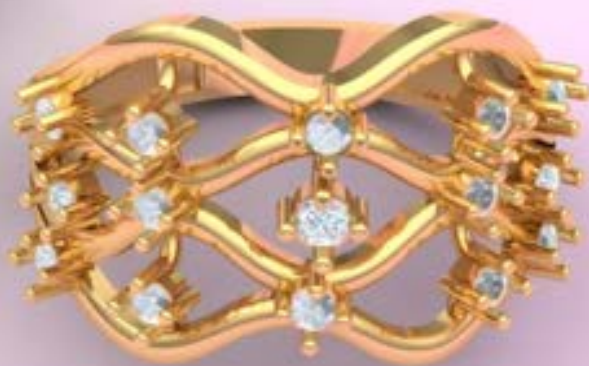














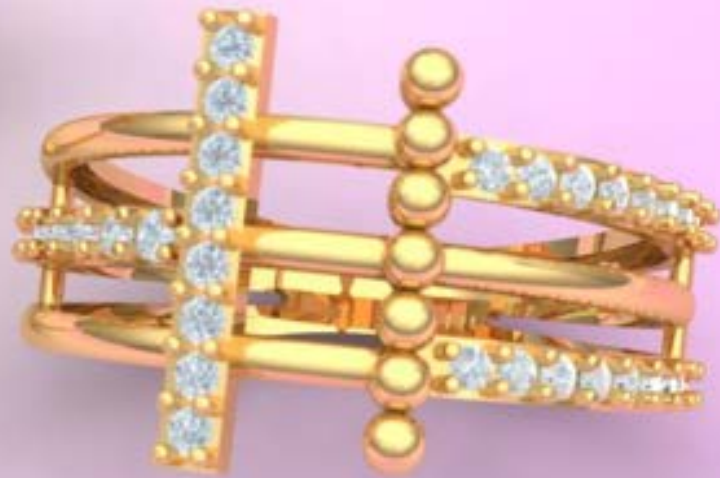














































































GOLD WT,22KT,-2.400 GMS



GOLD WT-22K,-2.400 GMS



















GOLD WT-22K,-3.00 GMS



GOLD WT-22K,-2.900 GMS



GOLD WT-22K,-2.00 GMS



GOLD WT-22K,-2.400 GMS



GOLD WT-22K,-1.900 GMS



GOLD WT-22K,-2.600 GMS



GOLD WT-22K,-2.300 GMS



GOLD WT-22K,-2.800 GMS



GOLD WT-22K,-2.00 GMS



GOLD WT-22K,-2.500 GMS



GOLD WT-22K,-1.900 GMS



GOLD WT-22K,-2.700 GMS



GOLD WT-22K,-2.00 GMS



GOLD WT-22K,-2.100 GMS



GOLD WT-22K,-2.900 GMS



GOLD WT-22K,-2.200GMS



GOLD WT-22K,-1.200 GMS



GOLD WT-22K,-2.400 GMS



GOLD WT-22K,-2.100 GMS



GOLD WT-22K,-2.600 GMS



GOLD WT-22K,-1.500 GMS



GOLD WT-22K,-2.500 GMS



GOLD WT-22K,-2.600 GMS



GOLD WT-22K,-2.500 GMS



GOLD WT-22K,-2.350 GMS



GOLD WT-22K,-2.00 GMS



GOLD WT-22K,-2.400 GMS



GOLD WT-22K,-2.00 GMS



GOLD WT-22K,-2.400 GMS



GOLD WT-22K,-2.200 GMS



GOLD WT-22K,-2.200 GMS



GOLD WT-22K,-2.200 GMS



GOLD WT-22K,-2.100 GMS



GOLD WT-22K,-1.800 GMS



GOLD WT-22K,-2.100 GMS



GOLD WT-22K,-2.300 GMS



GOLD WT-22K,-1.800 GMS



GOLD WT-22K,-2.900 GMS



GOLD WT-22K,-2.200 GMS



GOLD WT-22K,-2.300 GMS



GOLD WT-22K,-2.400 GMS



GOLD WT-22K,-2.700 GMS



GOLD WT-22K,-3.00 GMS



GOLD WT-22K,-2.00 GMS



GOLD WT-22K,-2.900 GMS



GOLD WT-22K,-2.300 GMS



GOLD WT-22K,-1.900GMS



GOLD WT-22K,-2.00 GMS



GOLD WT-22K,-2.200 GMS



GOLD WT-22K,-2.100 GMS



GOLD WT,-22K,-2.150 GMS



GOLD WT,-22K,-2.00 GMS



GOLD WT,-22K,-2.200 GMS



GOLD WT-22K,-1.900GMS



GOLD WT,-22K,-2.100 GMS



GOLD WT,-22K,-2.300 GMS



GOLD WT,-22K,-2.100 GMS



GOLD WT,-22K,-2.00 GMS



GOLD WT,-22K,-1.900 GMS



GOLD WT,-22K,-2.00 GMS



GOLD WT,-22K,-2.300 GMS



GOLD WT,-22K,-2.500 GMS



GOLD WT,-22K,-1.700GMS



GOLD WT,-22K,-2.300 GMS



GOLD WT-22K,-2.100 GMS



GOLD WT,-22K,-2.600 GMS



GOLD WT,-22K,-2.300 GMS



GOLD WT,-22K,-2.400 GMS



GOLD WT,-22K,-2.00 GMS



GOLD WT,-22K,-2.400 GMS



GOLD WT,-22K,-2.700 GMS



GOLD WT,-22K,-2.200 GMS



GOLD WT,-22K,-2.300 GMS



GOLD WT,-22K,-1.900 GMS



GOLD WT,-22K,-2.400GMS



GOLD WT-22K,-2.400 GMS



GOLD WT,-22K,-2.500 GMS



GOLD WT,-22K,-2.200 GMS



















GOLD WT-22K,-2.300 GMS























Diamonds-
1.00mm, 3 pis
1.20mm, 6 pis
1.30mm, 26 pis
1.10mm, 5 pis

Diamonds wt-0.29 cts.
Gold wt-5.230 Gms.



Diamonds-
1.10mm, 6 pis
1.20mm, 16 pis
1.30mm, 12 pis

Diamonds wt-0.23 cts.
Gold wt-3.800 Gms.



Diamonds-
1.10mm, 44 pis
1.20mm, 2 pis

Diamonds wt-0.23 cts.
Gold wt-3.910 Gms.



Diamonds-
1.30mm, 24 pis
1.80mm, 2 pis

Diamonds wt-0.23 cts.
Gold wt-4.210 Gms.



Diamonds-
1.10mm, 60 pis

Diamonds wt-0.30 cts.
Gold wt-4.100 Gms.



Diamonds-
1.20mm, 36 pis

Diamonds wt-0.23 cts.
Gold wt-4.300 Gms.



Diamonds-
1.10mm, 4 pis
1.20mm, 47 pis

Diamonds wt-0.33 cts.
Gold wt-5.100 Gms.



Diamonds-
1.20mm, 64 pis
1.10mm, 12 pis

Diamonds wt-0.48 cts.
Gold wt-4.660 Gms.



Diamonds-
1.30mm,40 pis
1.20mm, 4 pis

Diamonds wt-0.36 cts.
Gold wt-4.100 Gms.



Diamonds-
1.20mm, 8 pis
1.30mm, 4 pis
1.70mm, 1 pis

Diamonds wt-0.10 cts.
Gold wt-3.700 Gms.



Diamonds-
1.10mm, 4 pis
1.20mm, 33 pis
1.70mm, 1 pis

Diamonds wt-0.25 cts.
Gold wt-3.330 Gms.



Diamonds-
1.60mm, 1 pis
1.10mm, 32 pis
1.20mm, 11 pis
1.30mm, 1 pis

Diamonds wt-0.25 cts.
Gold wt-3.00 Gms.



Diamonds-
1.30mm, 2 pis
1.20mm, 17 pis
1.10mm, 22 pis
1.50mm, 1 pis

Diamonds wt-0.25 cts.
Gold wt-3.210 Gms.



Diamonds-
1.20mm, 45 pis
1.10mm, 6 pis

Diamonds wt-0.32 cts.
Gold wt3.580 Gms.



Diamonds-
1.20mm, 24 pis
1.30mm, 2 pis
1.10mm, 18 pis

Diamonds wt-0.26 cts.
Gold wt-3.500 Gms.



Diamonds-
1.10mm, 42 pis
1.20mm, 11 pis
1.30mm, 2 pis

Diamonds wt-0.30 cts.
Gold wt-3.730 Gms.



Diamonds-
1.20mm, 33 pis
1.10mm, 16 pis
1.30mm, 1 pis

Diamonds wt-0.24 cts.
Gold wt-3.770 Gms.



Diamonds-
1.10mm, 49 pis

Diamonds wt-0.24 cts.
Gold wt-3.500 Gms.



Diamonds-
1.10mm, 29 pis
1.20mm, 10 pis

Diamonds wt-0.21 cts.
Gold wt-3.390 Gms.



Diamonds-
1.20mm, 34 pis
1.10mm, 4 pis
3.30mm, 1 pis

Diamonds wt-0.38 cts.
Gold wt-3.650 Gms.



Diamonds-
1.10mm, 40 pis
1.00mm, 14 pis
1.20mm, 4 pis
1.50mm, 1 pis

Diamonds wt-0.29 cts.
Gold wt-3.870 Gms.



Diamonds-
1.20mm, 16 pis
1.10mm, 12 pis

Diamonds wt-0.16 cts.
Gold wt-3.760 Gms.



Diamonds-
1.20mm, 34 pis
1.30mm, 1 pis

Diamonds wt-0.23 cts.
Gold wt-3.740 Gms.



Diamonds-
1.20mm, 14 pis
1.00mm, 4 pis
1.10mm, 30 pis

Diamonds wt-0.25 cts.
Gold wt-3.920 Gms.



Diamonds-
1.10mm, 24 pis
1.00mm, 2 pis
1.30mm, 2 pis
1.20mm, 14 pis

Diamonds wt-0.23 cts.
Gold wt-3.430 Gms.



Diamonds-
1.20mm, 34 pis
1.10mm, 5 pis
1.40mm, 3 pis

Diamonds wt-0.28 cts.
Gold wt-3.510 Gms.



Diamonds-
1.50mm, 6 pis
1.20mm, 2 pis
1.40mm, 1 pis
1.10mm, 22 pis

Diamonds wt-0.24 cts.
Gold wt-4.660 Gms.



Diamonds-
1.30mm, 46 pis
1.20mm, 4 pis
1.50mm, 5 pis

Diamonds wt-0.47 cts.
Gold wt-4.890 Gms.



Diamonds-
1.20mm, 44 pis

Diamonds wt-0.29 cts.
Gold wt-3.890 Gms.



Diamonds-
1.10mm, 4 pis
1.20mm, 62 pis

Diamonds wt-0.42 cts.
Gold wt-4.920 Gms.



Diamonds-
1.10mm, 4 pis
1.20mm, 10 pis
1.30mm, 32 pis
1.50mm, 6 pis

Diamonds wt-0.42 cts.
Gold wt-5.260 Gms.



Diamonds-
1.20mm, 35 pis
1.10mm, 7 pis
1.50mm, 5 pis

Diamonds wt-0.33 cts.
Gold wt-4.520 Gms.



Diamonds-
1.30mm, 7 pis
1.20mm, 48 pis

Diamonds wt-0.38 cts.
Gold wt-4.820 Gms.



Diamonds-
1.20mm, 24 pis
1.30mm, 9 pis

Diamonds wt-0.25 cts.
Gold wt-4.850 Gms.



Diamonds-
1.10mm, 45 pis
1.10mm, 9 pis

Diamonds wt-0.28 cts.
Gold wt-4.1520 Gms.



Diamonds-
1.30mm, 16 pis
1.20mm, 10 pis
1.30mm, 3 pis

Diamonds wt-0.23 cts.
Gold wt-4.850 Gms.



Diamonds-
1.20mm, 28 pis
1.10mm, 4 pis

Diamonds wt-0.23 cts.
Gold wt-4.280 Gms.



Diamomds-
1.20mm, 6 pis
1.30mm, 46 pis.

Diamonds wt-0.42 cts.
Gold wt-4.960 Gms.



Diamonds-
1.20mm, 20 pis
1.10mm, 8 pis
1.40mm, 7 pis

Diamonds wt-0.24 cts.
Gold wt-5.280 Gms.



Diamonds-
1.50mm, 9 pis
1.40mm, 6 pis
1.30mm, 4 pis
1.20mm, 4 pis

Diamonds wt-0.23 cts.
Gold wt-4.820 Gms.



Diamonds-
1.10mm, 14 pis
1.20mm, 18 pis
1.30mm, 20 pis

Diamonds wt-0.35 cts.
Gold wt- 4.800 Gms.



Diamonds-
1.10mm, 32 pis
1.10mm, 4 pis

Diamonds wt-0.23 cts.
Gold wt-2.880 Gms.



Diamonds-
1.20mm, 32 pis
1.10mm, 4 pis

Diamonds wt-0.23 cts.
Gold wt-4.880 Gms.



Diamonds-
1.50mm, 4 pis
1.40mm, 8 pis

Diamonds wt-0.13 cts.
Gold wt-3.900 Gms.



Diamonds-
1.10mm, 24 pis
1.20mm, 16 pis

Diamonds wt-0.22 cts.
Gold wt-2.970 Gms.



Diamonds-
1.20mm, 12 pis
1.10mm, 14 pis
1.30mm, 11 pis

Diamonds wt-0.24 cts.
Gold wt-4.000 Gms.



Diamonds-
1.50mm, 2 pis
1.30mm, 12 pis
1.10mm, 3 pis
1.20mm, 6 pis

Diamonds wt-0.18 cts.
Gold wt-3.770 Gms.



Diamonds-
1.20mm, 36 pis

Diamonds wt-0.23 cts.
Gold wt-3.260 Gms.



Diamonds-
1.30mm, 20 pis
1.20mm, 24 pis
1.10mm, 3 pis
1.40mm, 2 pis

Diamonds wt-0.36 cts.
Gold wt-4.220 Gms.



Diamonds-
1.10mm, 39 pis
1.20mm, 24 pis

Diamonds wt-0.35 cts.
Gold wt-4.390 Gms.



Diamonds-
1.50mm, 17 pis
1.40mm, 2 pis
1.70mm, 2 pis
1.60mm, 4 pis

Diamonds Wt-0.33 Cts.
Gold Wt-3.020 Gms.



Diamonds-
1.30mm, 3 pis
2.60mm, 1 pis
1.40mm, 20 pis

Diamonds Wt-0.29 Cts.
Gold Wt-2.900 Gms.



Diamonds-
1.40mm, 28 pis
1.50mm, 6 pis

Diamonds Wt-0.36 Cts.
Gold Wt-3.360 Gms.



Diamonds-
1.30mm, 21 pis
2.20mm, 1 pis
1.70mm, 2 pis
1.50mm, 2 pis
2.00mm, 2 pis

Diamonds Wt-0.36 Cts.
Gold Wt-3.220 Gms.



Diamonds-
1.40mm, 20 pis
2.00mm, 2 pis
2.50mm, 1 pis

Diamonds Wt- 0.32 Cts.
Gold Wt- 3.350 Gms.



Diamonds-
1.50mm, 2 pis
1.20mm, 1 pis
1.80mm, 1 pis
1.30mm, 21 pis

Diamonds Wt-0.23 Cts.
Gold Wt-2.670 Gms.



Diamonds-
1.40mm, 11 pis
1.30mm, 5 pis
1.20mm, 9 pis

Diamonds Wt- 0.21 Cts.
Gold Wt- 3.200 Gms.



Diamonds-
1.50mm, 2 pis
1.70mm, 2 pis
1.40mm, 2 pis
1.80mm, 2 pis
1.10mm, 8 pis
1.20mm, 6 pis
1.30mm, 20 pis

Diamonds Wt- 0.37 Cts.
Gold Wt- 3.820 Gms.



Diamonds-
1.40mm, 20 pis
1.20mm, 4 pis
1.30mm, 3 pis

Diamonds Wt-0.26 Cts.
Gold Wt-3.000 Gms.



Diamonds-
1.50mm, 14 pis
1.30mm, 6 pis
1.40mm, 6 pis
1.50mm, 13 pis
1.60mm, 6 pis

Diamonds Wt-0.38 Cts.
Gold Wt-3.560 Gms.



Diamonds-

1.10mm, 6 pis

1.20mm, 2 pis

1.30mm, 10 pis

1.40mm, 21 pis

1.50mm, 12 pis

Diamonds Wt-0.49 Cts.

Gold Wt-3.580 Gms.



Diamonds-
1.30mm, 56 pis
1.20mm, 14 pis
1.50mm, 35 pis

Diamonds Wt-0.85 Cts.
Gold Wt-3.610 Gms.



Diamonds-
1.30mm, 18 pis
1.40mm, 6 pis

Diamonds Wt-0.21 Cts.
Gold Wt-3.160 Gms.



Diamonds-
1.80mm, 2 pis
2.00mm, 1 pis
1.70mm, 1 pis
1.50mm, 13 pis

Diamonds Wt-0.26 Cts.
Gold Wt-3.520 Gms.



Diamonds-
1.30mm, 20 pis
2.00mm, 3 pis

Diamonds Wt-0.26 Cts.
Gold Wt-3.930 Gms.



SIEVE	MM	CTS	PCS	WT
+2.5-3	1.3	0.01	20	0.2
TOTAL			20	0.2
GW 22 KT	2.10			
GW 18 KT	1.80			



SIEVE	MM	CTS	PCS	WT
+2.5-3	1.3	0.01	20	0.2
TOTAL			20	0.2
GW 22 KT	2.00			
GW 18 KT	1.80			



SIEVE	MM	CTS	PCS	WT
+2.5-3	1.3	0.01	20	0.2
TOTAL			20	0.2
GW 22 KT	1.90			
GW 18 KT	1.60			



SIEVE	MM	CTS	PCS	WT
+1.5-2	1.2	0.008	9	0.072
+2.5-3	1.3	0.01	8	0.08
+3.5-4	1.4	0.013	2	0.026
TOTAL			19	0.178

GW 22 KT	2.50
GW 18 KT	2.30



SIEVE	MM	CTS	PCS	WT
+2.5-3	1.3	0.01	17	0.17
+4.5-5	1.5	0.015	1	0.015
TOTAL			18	0.185

GW 22 KT	2.60
GW 18 KT	2.30



SIEVE	MM	CTS	PCS	WT
+2.5-3	1.3	0.01	16	0.16
TOTAL			16	0.16
GW 22 KT	3.00			
GW 18 KT	2.60			



SIEVE	MM	CTS	PCS	WT
+2.5-3	1.3	0.01	17	0.17
+6.5-7	1.8	0.027	1	0.027
TOTAL			18	0.197

GW 22 KT	2.40
GW 18 KT	2.20



SIEVE	MM	CTS	PCS	WT
+2.5-3	1.3	0.01	15	0.15
TOTAL			15	0.15

GW 22 KT	1.90
GW 18 KT	1.70



SIEVE	MM	CTS	PCS	WT
+2.5-3	1.3	0.01	18	0.18
TOTAL			18	0.18
GW 22 KT	2.10			
GW 18 KT	1.80			



SIEVE	MM	CTS	PCS	WT
+2.5-3	1.3	0.01	25	0.25
TOTAL			25	0.25
GW 22 KT	2.90			
GW 18 KT	2.70			



SIEVE	MM	CTS	PCS	WT
+2.5-3	1.3	0.01	16	0.16
+6-6.5	1.7	0.022	4	0.088
		TOTAL	20	0.248

GW 22 KT	2.30
GW 18 KT	2.10



SIEVE	MM	CTS	PCS	WT
+2.5-3	1.3	0.01	12	0.12
TOTAL			12	0.12

GW 22 KT	2.70
GW 18 KT	2.40



SIEVE	MM	CTS	PCS	WT
+2.5-3	1.3	0.01	21	0.21
TOTAL			21	0.21

GW 22 KT	1.80
GW 18 KT	1.60



SIEVE	MM	CTS	PCS	WT
+1.5-2	1.2	0.008	5	0.04
+2.5-3	1.3	0.01	22	0.22
TOTAL			27	0.26
GW 22 KT	2.30			
GW 18 KT	2.10			



SIEVE	MM	CTS	PCS	WT
+2.5-3	1.3	0.01	20	0.2
TOTAL			20	0.2
GW 22 KT	1.80			
GW 18 KT	1.60			



SIEVE	MM	CTS	PCS	WT
+1.5-2	1.2	0.008	3	0.024
+2.5-3	1.3	0.01	22	0.22
		TOTAL	25	0.244

GW 22 KT	2.20
GW 18 KT	2.00



SIEVE	MM	CTS	PCS	WT
+2.5-3	1.3	0.01	15	0.15
+5.5-6	1.6	0.019	3	0.057
		TOTAL	18	0.207

GW 22 KT	2.20
GW 18 KT	2.00



SIEVE	MM	CTS	PCS	WT
+2.5-3	1.3	0.01	14	0.14
+3.5-4	1.4	0.013	1	0.013
TOTAL			15	0.153

GW 22 KT	2.20
GW 18 KT	2.00



SIEVE	MM	CTS	PCS	WT
+2.5-3	1.3	0.01	14	0.14
+5.5-6	1.6	0.019	1	0.019
TOTAL			15	0.159
GW 22 KT	1.90			
GW 18 KT	1.70			



SIEVE	MM	CTS	PCS	WT
+2.5-3	1.3	0.01	16	0.16
+3.5-4	1.4	0.013	4	0.052
+4.5-5	1.5	0.015	1	0.015
TOTAL			21	0.227
GW 22 KT	2.70			
GW 18 KT	2.40			



SIEVE	MM	CTS	PCS	WT
+2.5-3	1.3	0.01	18	0.18
+5.5-6	1.6	0.019	1	0.019
		TOTAL	19	0.199

GW 22 KT	2.00
GW 18 KT	1.80



SIEVE	MM	CTS	PCS	WT
+2.5-3	1.3	0.01	14	0.14
+5.5-6	1.6	0.019	3	0.057
		TOTAL	17	0.197
GW 22 KT	2.10			
GW 18 KT	1.90			



SIEVE	MM	CTS	PCS	WT
+2.5-3	1.3	0.01	19	0.19
TOTAL			19	0.19
GW 22 KT	2.30			
GW 18 KT	2.10			



SIEVE	MM	CTS	PCS	WT
+2.5-3	1.3	0.01	23	0.23
TOTAL			23	0.23

GW 22 KT	2.20
GW 18 KT	2.00



SIEVE	MM	CTS	PCS	WT
+2.5-3	1.3	0.01	22	0.22
TOTAL			22	0.22

GW 22 KT	2.10
GW 18 KT	1.80



SIEVE	MM	CTS	PCS	WT
+1.5-2	1.2	0.008	3	0.024
+2.5-3	1.3	0.01	16	0.16
TOTAL			19	0.184
GW 22 KT	2.20			
GW 18 KT	2.00			



SIEVE	MM	CTS	PCS	WT
+2.5-3	1.3	0.01	24	0.24
TOTAL			24	0.24

GW 22 KT	2.40
GW 18 KT	2.20



SIEVE	MM	CTS	PCS	WT
+1.5-2	1.2	0.008	5	0.04
+2.5-3	1.3	0.01	18	0.18
+5.5-6	1.6	0.019	2	0.038
TOTAL			25	0.258

GW 22 KT	2.40
GW 18 KT	2.10



SIEVE	MM	CTS	PCS	WT
+2.5-3	1.3	0.01	23	0.23
TOTAL			23	0.23

GW 22 KT	2.30
GW 18 KT	2.10



SIEVE	MM	CTS	PCS	WT
+2.5-3	1.3	0.01	14	0.14
+4.5-5	1.5	0.015	10	0.15
+10.5-11	2.60	0.073	1	0.073
TOTAL			25	0.363
GW 22 KT	2.60			
GW 18 KT	2.40			



SIEVE	MM	CTS	PCS	WT
+0-1	1.1	0.006	8	0.048
+1.5-2	1.2	0.008	7	0.056
+2.5-3	1.3	0.01	18	0.18
TOTAL			33	0.284

GW 22 KT	2.20
GW 18 KT	2.00



SIEVE	MM	CTS	PCS	WT
+2.5-3	1.3	0.01	16	0.16
+3.5-4	1.4	0.013	4	0.052
TOTAL			20	0.212

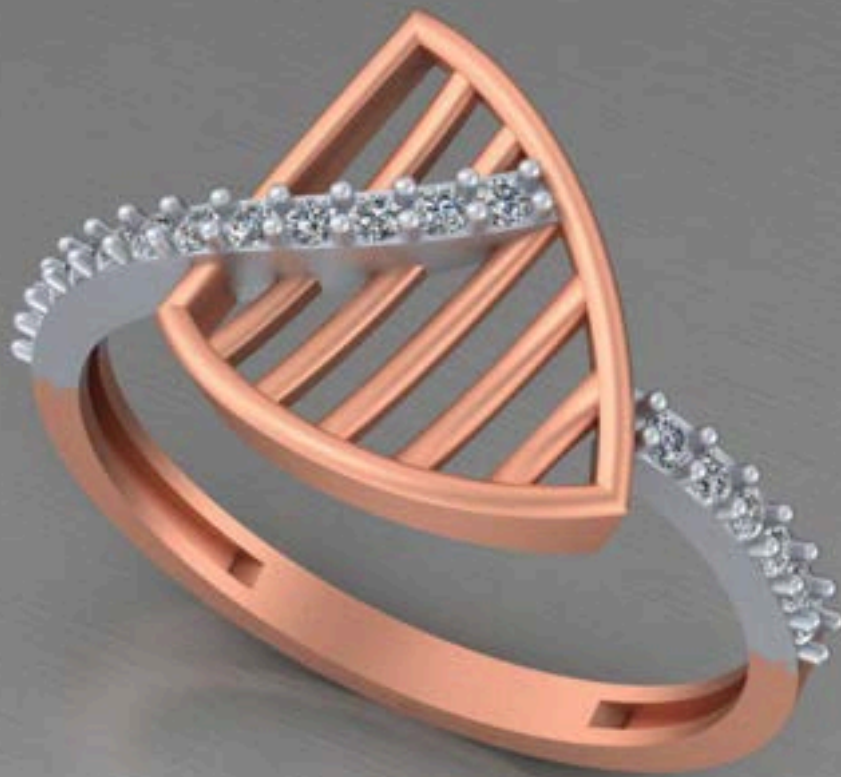
GW 22 KT	2.00
GW 18 KT	1.80



SIEVE	MM	CTS	PCS	WT
+2.5-3	1.3	0.01	14	0.14
+6.5-7	1.8	0.027	1	0.027
TOTAL			15	0.167

GW 22 KT	1.90
GW 18 KT	1.70





SIEVE	MM	CTS	PCS	WT
+2.5-3	1.3	0.01	18	0.18
TOTAL			18	0.18
GW 22 KT	2.20			
GW 18 KT	2.00			



SIEVE	MM	CTS	PCS	WT
+2.5-3	1.3	0.01	24	0.24
+5.5-6	1.6	0.019	2	0.038
+6.5-7	1.8	0.027	2	0.054
+7.5-8	2.00	0.035	1	0.035
TOTAL			29	0.367

GW 22 KT	2.60
GW 18 KT	2.40





SIEVE	MM	CTS	PCS	WT
+2.5-3	1.3	0.01	18	0.18
+5.5-6	1.6	0.019	3	0.057
TOTAL			21	0.237

GW 22 KT	2.40
GW 18 KT	2.20



SIEVE	MM	CTS	PCS	WT
+2.5-3	1.3	0.01	18	0.18
TOTAL			18	0.18
GW 22 KT	1.80			
GW 18 KT	1.60			



SIEVE	MM	CTS	PCS	WT
+1.5-2	1.2	0.008	12	0.096
+2.5-3	1.3	0.01	12	0.12
TOTAL			24	0.216

GW 22 KT	2.20
GW 18 KT	2.00



SIEVE	MM	CTS	PCS	WT
+2.5-3	1.3	0.01	32	0.32
TOTAL			32	0.32

GW 22 KT	2.80
GW 18 KT	2.60



SIEVE	MM	CTS	PCS	WT
+2.5-3	1.3	0.01	16	0.16
+7-7.5	1.90	0.031	2	0.062
+8.5-9	2.20	0.047	1	0.047
		TOTAL	19	0.269

GW 22 KT	2.40
GW 18 KT	2.10



SIEVE	MM	CTS	PCS	WT
+5.5-6	1.6	0.019	14	0.266
		TOTAL	14	0.266

GW 22 KT	2.00
GW 18 KT	1.80

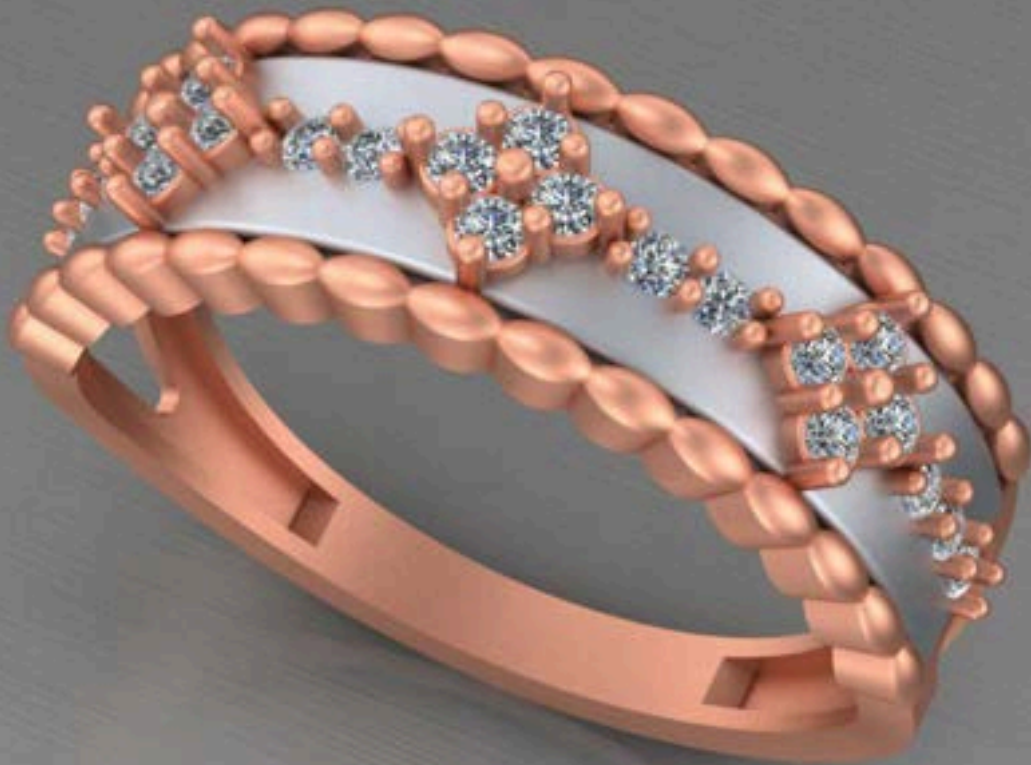


SIEVE	MM	CTS	PCS	WT
+0-1	1.1	0.006	2	0.012
+1.5-2	1.2	0.008	14	0.112
TOTAL			16	0.124
GW 22 KT	2.40			
GW 18 KT	2.10			



SIEVE	MM	CTS	PCS	WT
+1.5-2	1.2	0.008	12	0.096
+2.5-3	1.3	0.01	32	0.32
TOTAL			44	0.416

GW 22 KT	3.00
GW 18 KT	2.70



SIEVE	MM	CTS	PCS	WT
+2.5-3	1.3	0.01	10	0.1
+3.5-4	1.4	0.013	12	0.156
TOTAL			22	0.256
GW 22 KT	3.10			
GW 18 KT	2.80			



SIEVE	MM	CTS	PCS	WT
+2.5-3	1.3	0.01	12	0.12
+6.5-7	1.8	0.027	1	0.027
TOTAL			13	0.147

GW 22 KT	2.10
GW 18 KT	1.90



SIEVE	MM	CTS	PCS	WT
+2.5-3	1.3	0.01	22	0.22
+7.5-8	2.00	0.035	1	0.035
		TOTAL	23	0.255

GW 22 KT	2.70
GW 18 KT	2.40



SIEVE	MM	CTN	PCS	WT
+2.5-3	1.3	0.01	20	0.2
		TOTAL	20	0.2
GW 22 KT	2.60			
GW 18 KT	2.30			



SIEVE	MM	CTS	PCS	WT
+2.5-3	1.3	0.01	21	0.21
TOTAL			21	0.21
GW 22 KT	2.70			
GW 18 KT	2.50			



SIEVE	MM	CTN	PCS	WT
+2.5-3	1.3	0.01	14	0.14
TOTAL			14	0.14
GW 22 KT	2.50			
GW 18 KT	2.20			



SIEVE	MM	CTS	PCS	WT
+2.5-3	1.3	0.01	16	0.16
+6-6.5	1.7	0.022	2	0.044
TOTAL			18	0.204

GW 22 KT	2.40
GW 18 KT	2.20



SIZE	MM	CTS	PCS	WT
*2.5-3	1.3	0.01	17	0.17
		TOTAL	17	0.17
GW 22 KT	2.30			
GW 18 KT	2.00			



SIEVE	MM	CTS	PCS	WT
+0-1	1.1	0.006	7	0.042
+1.5-2	1.2	0.008	10	0.08
+2.5-3	1.3	0.01	24	0.24
		TOTAL	41	0.362

GW 22 KT	3.50
GW 18 KT	3.10



SIEVE	MM	CTS	PCS	WT
+2.5-3	1.3	0.01	21	0.21
TOTAL			21	0.21
GW 22 KT	2.50			
GW 18 KT	2.20			



SIEVE	MM	CTN	PCS	WT
+2.5-3	1.3	0.01	28	0.28
		TOTAL	28	0.28
GW 22 KT	2.30			
GW 18 KT	2.10			



SI. VE.	MM	GTS.	PCS.	WT.
+1.5-2	1.2	0.008	2	0.016
+2.5-3	1.3	0.01	24	0.24
TOTAL			26	0.256
GW 22 KT		2.00		
GW 18 KT		1.70		



SIEVE	MM	QTY	PCS	WT
+2.5-3	1.3	0.01	13	0.13
		TOTAL	13	0.13
GW 22 KT	2.00			
GW 18 KT	1.80			



SIEVE	MM	CTS	PCS	WT
+1.5-2	1.2	0.008	22	0.176
+2.5-3	1.3	0.01	4	0.04
+3.5-4	1.4	0.013	2	0.026
TOTAL			28	0.242

GW 22 KT	2.80
GW 18 KT	2.60



SEIVE	MM	CTR	PCS	WT
+2.5-3	1.3	0.01	14	0.14
+7-7.5	1.90	0.031	1	0.031
TOTAL			15	0.171
GW 22 KT	1.90			
GW 18 KT	1.70			



SI. VI.	MM	CTS.	PCS.	WT.
+1.5-2	1.2	0.008	8	0.064
+2.5-3	1.3	0.01	19	0.19
TOTAL			27	0.254
GW 22 KT	2.00			
GW 18 KT	1.80			



SEIVE	MM	CTN	PCS	WT
+2.5-3	1.3	0.01	21	0.21
		TOTAL	21	0.21
GW 22 KT	2.30			
GW 18 KT	2.00			



SIEVE	MM	CTR	PCS	WT
+1.5-2	1.2	0.008	4	0.032
+2.5-3	1.3	0.01	13	0.13
+3.5-4	1.4	0.013	1	0.013
+7.5-8	2.00	0.035	1	0.035
TOTAL			19	0.21

GW 22 KT	2.10
GW 18 KT	1.90



SI. VE.	MM	CTR.	PCS.	WT.
+2.5-3	1.3	0.01	14	0.14
+7-7.5	1.90	0.031	1	0.031
TOTAL			15	0.171
GW 22 KT		1.80		
GW 18 KT		1.60		



SI VE	MM	CTR	PCS	WT
+2.5-3	1.3	0.01	19	0.19
+6-6.5	1.7	0.022	2	0.044
TOTAL			21	0.234
GW 22 KT		2.00		
GW 18 KT		1.80		



SI. VE.	MM	CTR.	PCS.	WT.
+2.5-3	1.3	0.01	20	0.2
+6-6.5	1.7	0.022	1	0.022
TOTAL			21	0.222
GW 22 KT		1.60		
GW 18 KT		1.40		





SEVE	MM	CTS	PCS	WT
+1.5-2	1.2	0.008	4	0.032
+2.5-3	1.3	0.01	30	0.3
TOTAL			34	0.332

GW 22 KT	2.60
GW 18 KT	2.30



SIEVE	MM	CTN	PCS	WT
+2.5-3	1.3	0.01	12	0.12
TOTAL			12	0.12
GW 22 KT	2.20			
GW 18 KT	2.00			



SI. VE.	MM	CTR.	PCS.	WT.
+2.5-3	1.3	0.01	14	0.14
+6.5-7	1.8	0.027	2	0.054
TOTAL			16	0.194
GW 22 KT	2.00			
GW 18 KT	1.80			



SEIVE	MM	CTS	PCS	WT
+2.5-3	1.3	0.01	16	0.16
+4.5-5	1.5	0.015	4	0.06
		TOTAL	20	0.22

GW 22 KT	2.20
GW 18 KT	1.90

OLR-2214



SEVE	MM	CTS	PCS	WT
+4.5-5	1.5	0.015	5	0.075
+6-6.5	1.7	0.022	7	0.154
		TOTAL	12	0.229

GW 22 KT	2.30
GW 18 KT	2.00



SI. VI.	MM	CTR.	PCS.	WT.
+2.5-3	1.3	0.01	16	0.16
+7.5-8	2.00	0.035	1	0.035
TOTAL			17	0.195
GW 22 KT	3.00			
GW 18 KT	2.70			



SIZE	MM	CTS	PCS	WT
4.5-5	1.5	0.015	12	0.18
		TOTAL	12	0.18

GW 22 KT	2.00
GW 18 KT	1.80



SIEVE	MM	CTN	PCS	WT
+7-7.5	1.90	0.031	9	0.279
TOTAL			9	0.279
GW 22 KT	2.40			
GW 18 KT	2.10			



SIEVE	MM	CTN	PCS	WT
+2.5-3	1.3	0.01	40	0.4
		TOTAL	40	0.4
GW 22 KT	2.40			
GW 18 KT	2.10			



SIZE	MM	CTS	PCS	WT
+8.5-9	2.20	0.047	2	0.094
+13-13.5	3.10	0.12	1	0.12
		TOTAL	3	0.214

GW 22 KT	2.20
GW 18 KT	2.00



SEIVE	MM	CTN	PCS	WT
+2.5-3	1.3	0.01	54	0.14
TOTAL			54	0.14
GW 22 KT	2.30			
GW 18 KT	2.00			



SEIVE	MM	CTRS	PCS	WT
+1.5-2	1.2	0.008	2	0.016
+2.5-3	1.3	0.01	9	0.09
TOTAL			11	0.106

GW 22 KT	2.30
GW 18 KT	2.00

OLR-2213



SIEVE	MM	CTS	PCS	WT
+2.5-3	1.3	0.01	15	0.15
+6-6.5	1.7	0.022	3	0.066
TOTAL			18	0.216
GW 22 KT		2.00		
GW 18 KT		1.80		



SIEVE	MM	CTS	PCS	WT
+2.5-3	1.3	0.01	21	0.21
+10.5-11	2.60	0.073	4	0.292
		TOTAL	25	0.502

GW 22 KT	2.50
GW 18 KT	2.20



SEIVE	MM	CTR	PCS	WT
+2.5-3	1.3	0.01	36	0.36
	3.5	0.19	1	0.19
		TOTAL	37	0.55
GW 22 KT	2.40			
GW 18 KT	2.10			



SEIVE	MM	CTRS	PCS	WT
+1.5-2	1.2	0.008	12	0.096
+2.5-3	1.3	0.01	9	0.09
		TOTAL	21	0.186

GW 22 KT	2.70
GW 18 KT	2.40



SI. VE.	MM	CTR.	PCS.	WT.
+2.5-3	1.3	0.01	14	0.14
+4.5-5	1.5	0.015	7	0.105
		TOTAL	21	0.245
GW 22 KT	3.30			
GW 18 KT	3.00			



SEIVE	MM	CTN	PCS	WT
+2.5-3	1.3	0.01	27	0.27
TOTAL			27	0.27
GW 22 KT	3.20			
GW 18 KT	2.80			



SIEVE	MM	CTN	PCS	WT
+2.5-3	1.3	0.01	14	0.14
		TOTAL	14	0.14
GW 22 KT	3.00			
GW 18 KT	2.70			



SIEVE	MM	CTN	PCS	WT
+2.5-3	1.3	0.01	14	0.14
TOTAL			14	0.14
GW 22 KT	3.20			
GW 18 KT	2.90			



SEVE	MM	CTS	PCS	WT
*0-1	1.1	0.006	3	0.018
*2.5-3	1.3	0.01	26	0.26
		TOTAL	29	0.278
GW 22 KT	2.50			
GW 18 KT	2.30			



SIEVE	MM	CTS	PCS	WT
+0-1	1.1	0.006	2	0.012
+1.5-2	1.2	0.008	18	0.144
+2.5-3	1.3	0.01	14	0.14
		TOTAL	34	0.296

GW 22 KT	2.70
GW 18 KT	2.40



SIEVE	MM	CTS	PCS	WT
+2.5-3	1.3	0.01	25	0.25
TOTAL			25	0.25
GW 22 KT	2.80			
GW 18 KT	2.50			



SIEVE	MM	CTS	PCS	WT
+2.5-3	1.3	0.01	41	0.41
TOTAL			41	0.41
GW 22 KT	3.00			
GW 18 KT	2.70			



SEIVE	MM	CTS	PCS	WT
+1.5-2	1.2	0.008	1	0.008
+2.5-3	1.3	0.01	17	0.17
TOTAL			18	0.178

GW 22 KT	3.00
GW 18 KT	2.60



SEIVE	MM	GTS	PCS	WT
+0-1	1.1	0.006	7	0.042
+1.5-2	1.2	0.008	21	0.168
TOTAL			28	0.21
GW 22 KT	2.60			
GW 18 KT	2.30			



SIEVE	MM	CTS	FCS	WT
+1.5-2	1.2	0.008	4	0.032
+2.5-3	1.3	0.01	9	0.09
+4.5-5	1.5	0.015	2	0.03
		TOTAL	15	0.152
GW 22 KT		2.60		
GW 18 KT		2.30		



SIEVE	MM	CTS	PCS	WT
+1.5-2	1.2	0.008	13	0.104
+5.5-6	1.6	0.019	2	0.038
+6.5-7	1.8	0.027	3	0.081
TOTAL			18	0.223
GW 22 KT		2.30		
GW 18 KT		2.00		



SEIVE	MM	CTS	PCS	WT
+2.5-3	1.3	0.01	9	0.09
+4.5-5	1.5	0.015	1	0.015
		TOTAL	10	0.105

GW 22 KT	2.40
GW 18 KT	2.10



SIZE	MM	CTS	PCS	WT
*2.5-3	1.3	0.01	20	0.2
		TOTAL	20	0.2

GW 22 KT	2.80
GW 18 KT	2.50



SEIVE	MM	CTN	PCS	WT
+2.5-3	1.3	0.01	30	0.3
		TOTAL	30	0.3
GW 22 KT		3.10		
GW 18 KT		3.80		



SEVE	MM	CTS	PCS	WT
+1.5-2	1.2	0.008	3	0.024
+2.5-3	1.3	0.01	36	0.36
		TOTAL	39	0.384

GW 22 KT	3.00
GW 18 KT	3.60



SIEVE	MM	CTS	PCS	WT
+1.5-2	1.2	0.008	2	0.016
+2.5-3	1.3	0.01	18	0.18
+8.5-9	2.20	0.047	1	0.047
TOTAL			21	0.243

GW 22 KT	2.70
GW 18 KT	2.40

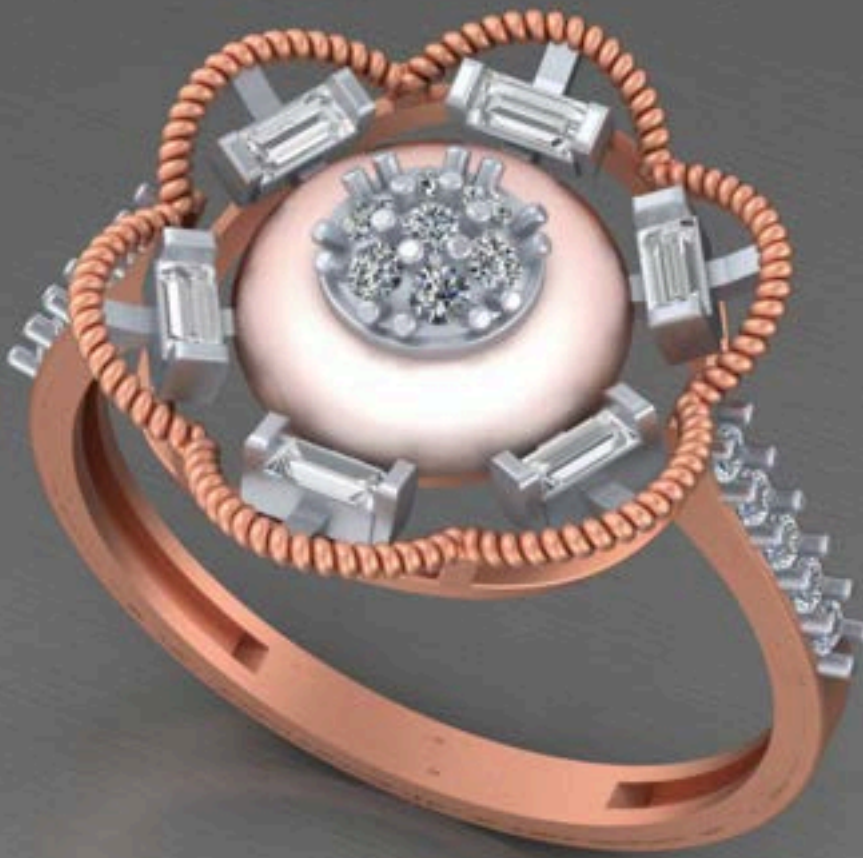


SIEVE	MM	GTS	PCS	WT
+1.5-2	1.2	0.008	2	0.016
+2.5-3	1.3	0.01	12	0.12
		TOTAL	14	0.136
GW 22 KT	2.60			
GW 18 KT	2.30			



SIEVE	MM	CTS	PCS	WT
+1.5-2	1.2	0.008	2	0.016
+2.5-3	1.3	0.01	18	0.18
+8.5-9	2.20	0.047	1	0.047
TOTAL			21	0.243

GW 22 KT	2.70
GW 18 KT	2.40



SIEVE	MM	CTN	PCS	WT
+2.5-3	1.3	0.01	17	0.17
TOTAL			17	0.17
GW 22 KT	2.80			
GW 18 KT	2.50			



SEIVE	MM	CTS	PCS	WT
+2.5-3	1.3	0.01	20	0.2
+7.5-8	2.00	0.035	1	0.035
		TOTAL	21	0.235

GW 22 KT	2.30
GW 18 KT	2.00



SEIVE	MM	CTS	PCS	WT
+2.5-3	1.3	0.01	7	0.07
+4.5-5	1.5	0.015	1	0.015
		TOTAL	8	0.085

GW 22 KT	2.30
GW 18 KT	2.00



Diamonds-
1.70mm, 1 pis
1.30mm, 2 pis

Diamonds Wt-0.11 Cts.
Gold Wt-2.100 Gms.



Diamonds-
1.50mm, 1 pis
1.30mm, 17 pis

Diamonds Wt-0.15 Cts.
Gold Wt-2.090 Gms.



Diamonds-
1.40mm, 2 pis
1.20mm, 2 pis
1.30mm, 12 pis
1.50mm, 3 pis

Diamonds Wt-0.16 Cts.
Gold Wt-2.200 Gms.



Diamonds-
1.30mm, 41 pis
1.20mm, 1 pis

Diamonds Wt-0.34 Cts.
Gold Wt-3.370 Gms.



Diamonds-
1.30mm, 19 pis
1.20mm, 1 pis

Diamonds Wt-0.20 Cts.
Gold Wt-3.00 Gms.



Diamonds-
1.40mm, 6 pis
1.70mm, 2 pis
1.30mm, 19 pis
1.10mm, 1 pis
1.20mm, 3 pis

Diamonds Wt-0.28 Cts.
Gold Wt-3.230 Gms.



Diamonds-
1.30mm, 16 pis
1.20mm, 1 pis
1.10mm, 1 pis
1.00mm, 1 pis

Diamonds Wt-0.15 Cts.
Gold Wt-2.280 Gms.



Diamonds-
1.30mm, 20 pis
1.20mm, 3 pis
1.10mm, 1 pis

Diamonds Wt-0.19 Cts.
Gold Wt-2.390 Gms.



Diamonds-
1.20mm, 1 pis
1.40mm, 1 pis
1.30mm, 12 pis

Diamonds Wt-0.12 Cts.
Gold Wt-2.100 Gms.



Diamonds-
1.30mm, 20 pis
1.20mm, 1 pis

Diamonds Wt-0.17 Cts.
Gold Wt-2.350 Gms.



Diamonds-
1.30mm, 16 pis
1.40mm, 4 pis
1.20mm, 3 pis
1.10mm, 3 pis

Diamonds Wt- 0.21 Cts.
Gold Wt- 2.600 Gms.



Diamonds-
1.50mm, 10 pis
1.30mm, 16 pis

Diamonds Wt-0.24 Cts.
Gold Wt-3.510 Gms.



Diamonds-
1.30mm, 16 pis
1.20mm, 17 pis
1.10mm, 2 pis

Diamonds Wt-0.25 Cts.
Gold Wt-3.410 Gms.



Diamonds-
1.20mm, 19 pis
1.10mm, 1 pis
1.30mm, 5 pis

Diamonds Wt-0.17 Cts.
Gold Wt-2.100 Gms.



Diamonds-
1.20mm, 26 pis
1.30mm, 6 pis
1.10mm, 1 pis

Diamonds Wt-0.22 Cts.
Gold Wt-2.100 Gms.



Diamonds-
1.30mm, 25 pis
1.10mm, 6 pis
1.20mm, 5 pis

Diamonds Wt-0.27 Cts.
Gold Wt-2.340 Gms.



Diamonds-
1.30mm, 17 pis
1.10mm, 6 pis
1.20mm, 10 pis
1.00mm, 1 pis
1.50mm, 1 pis

Diamonds Wt-0.25 Cts.
Gold Wt-2.330 Gms.



Diamonds-
1.30mm, 17 pis
1.40mm, 4 pis
1.20mm, 2 pis
1.10mm, 1 pis
1.50mm, 1 pis
1.00mm, 1 pis

Diamonds Wt-0.21 Cts.
Gold Wt-2.120 Gms.



Diamonds-
1.30mm, 40 pis

Diamonds Wt-0.33 Cts.
Gold Wt-2.410 Gms.



Diamonds-
1.50mm, 3 pis
1.20mm, 24 pis

Diamonds Wt-0.19 Cts.
Gold Wt-2.430 Gms.



Diamonds-
1.30mm, 28 pis

Diamonds Wt-0.23 Cts.
Gold Wt-3.100 Gms.



Diamonds-
1.20mm, 24 pis
1.30mm, 15 pis
1.10mm, 1 pis
1.00mm, 1 pis

Diamonds Wt-0.29 Cts.
Gold Wt-2.290 Gms.



Diamonds-
1.30mm, 8 pis
1.40mm, 2 pis
1.20mm, 20 pis
1.10mm, 1 pis

Diamonds Wt-0.22 Cts.
Gold Wt-2.600 Gms.



Diamonds-
1.30mm, 21 pis
1.20mm, 21 pis

Diamonds Wt-0.31 Cts.
Gold Wt-2.490 Gms.



Diamonds-
1.30mm, 29 pis
1.20mm, 2 pis

Diamonds Wt-0.25 Cts.
Gold Wt-2.350 Gms.



Diamonds-
1.20mm, 16 pis
1.40mm, 2 pis
1.50mm, 2 pis
1.30mm, 7 pis

Diamonds Wt-0.21 Cts.
Gold Wt-2.060 Gms.



Diamonds-
1.30mm, 30 pis
1.20mm, 3 pis
1.10mm, 2 pis

Diamonds Wt-0.28 Cts.
Gold Wt-2.850 Gms.



Diamonds-
1.20mm, 25 pis
1.40mm, 2 pis
1.30mm, 2 pis

Diamonds Wt-0.20 Cts.
Gold Wt-1.850 Gms.



Diamonds-
1.30mm, 27 pis
1.40mm, 1 pis
1.20mm, 2 pis
1.10mm, 1 pis
1.00mm, 1 pis

Diamonds Wt-0.25 Cts.
Gold Wt-2.680 Gms.



Diamonds-
1.30mm, 4 pis
1.20mm, 4 pis
1.40mm, 4 pis
1.10mm, 6 pis
1.00mm, 2 pis

Diamonds Wt-0.14 Cts.
Gold Wt-2.400 Gms.



Diamonds-
1.20mm, 20 pis
1.30mm, 11 pis

Diamonds Wt-0.23 Cts.
Gold Wt-2.580 Gms.



Diamonds-
1.20mm, 20 pis

Diamonds Wt-0.13 Cts.
Gold Wt-1.990 Gms.



Diamonds-
1.50mm, 1 pis
1.10mm, 20 pis
1.20mm, 2 pis
1.30mm, 4 pis

Diamonds Wt-0.16 Cts.
Gold Wt-2.190 Gms.



Diamonds-
1.30mm, 18 pis

Diamonds Wt-0.15 Cts.
Gold Wt-2.350 Gms.



Diamonds-
1.20mm, 22 pis

Diamonds Wt-0.14 Cts.
Gold Wt- 2.00 Gms.



Diamonds-
1.20mm, 19 pis
1.30mm, 17 pis
1.40mm, 5 pis
1.50mm, 5 pis

Diamonds Wt-0.38 Cts.
Gold Wt-2.390 Gms.



Diamonds-
1.20mm, 1 pis
1.30mm, 26 pis
1.50mm, 4 pis
1.60mm, 1 pis

Diamonds Wt-0.28 Cts.
Gold Wt-2.580 Gms.



Diamonds-
1.30mm, 1 pis
1.50mm, 1 pis
1.20mm, 10 pis

Diamonds Wt-0.08 Cts.
Gold Wt-2.00 Gms.



Diamonds-
1.30mm, 4 pis
1.20mm, 9 pis
1.10mm, 1 pis

Diamonds Wt-0.10 Cts.
Gold Wt-1.630 Gms.



Diamonds-
1.30mm, 35 pis
1.20mm, 6 pis
1.50mm, 2 pis

Diamonds Wt-0.35 Cts.
Gold Wt-3.00 Gms.



Diamonds-
1.30mm, 37 pis
1.20mm, 2 pis

Diamonds Wt-0.32 Cts.
Gold Wt-2.610 Gms.



Diamonds-
1.30mm, 29 pis

Diamonds Wt-0.24 Cts.
Gold Wt-2.560 Gms.

Diamonds-
1.40mm, 4 pis
1.30mm, 24 pis
1.20mm, 3 pis
1.50mm, 5 pis

Diamonds Wt-0.32 Cts.
Gold Wt-2.850 Gms.





Diamonds-
1.20mm, 28 pis
1.30mm, 10 pis

Diamonds Wt-0.26 Cts.
Gold Wt-2.530 Gms.



Diamonds-
1.20mm, 5 pis
1.30mm, 35 pis
1.50mm, 2 pis

Diamonds Wt-0.34 Cts.
Gold Wt-3.210 Gms.



Diamonds-
1.50mm, 3 pis
1.60mm, 10 pis
1.70mm, 4 pis
1.30mm, 14 pis

Diamonds Wt-0.38 Cts.
Gold Wt-3.120 Gms.



Diamonds-
1.50mm, 9 pis
1.30mm, 22 pis
1.20mm, 2 pis
1.40mm, 2 pis

Diamonds Wt-0.31 Cts.
Gold Wt-2.350 Gms.



Diamonds-
1.50mm, 9 pis
1.30mm, 16 pis

Diamonds Wt-0.23 Cts.
Gold Wt-3.850 Gms.



Diamonds-
1.30mm, 28 pis
1.20mm, 1 pis

Diamonds Wt-0.24 Cts.
Gold Wt-2.460 Gms.



Diamonds-
1.30mm, 28 pis
1.20mm, 3 pis
1.10mm, 1 pis
1.50mm, 1 pis
1.40mm, 2 pis

Diamonds Wt-0.29 Cts.
Gold Wt-2.650 Gms.



Diamonds-
1.50mm, 15 pis
1.40mm, 4 pis
1.30mm, 20 pis

Diamonds Wt-0.39 Cts.
Gold Wt-2.800 Gms.



Diamonds-
1.30mm, 28 pis
1.20mm, 10 pis

Diamonds Wt-0.30 Cts.
Gold Wt-2.620 Gms.



Diamonds-
1.20mm, 32 pis
1.10mm, 6 pis
1.00mm, 9 pis

Diamonds Wt-0.27 Cts.
Gold Wt-2.860 Gms.



Diamonds-
1.10mm, 1 pis
1.30mm, 10 pis
1.20mm, 17 pis
1.40mm, 9 pis

Diamonds Wt-0.29 Cts.
Gold Wt-2.750 Gms.



Diamonds-
1.0mm, 21 pis
1.10mm, 3 pis
1.30mm, 14 pis

Diamonds Wt-0.27 Cts.
Gold Wt-2.920Gms.



Diamonds-
1.30mm, 17 pis
1.40mm, 8 pis
1.20mm, 8 pis
1.10mm, 1 pis
1.50mm, 1 pis

Diamonds Wt-0.29 Cts.
Gold Wt-2.860 Gms.



Diamonds-
1.30mm, 32 pis
1.20mm, 10 pis
1.10mm, 2 pis
1.00mm, 3 pis

Diamonds Wt-0.35 Cts.
Gold Wt-2.610 Gms.



Diamonds-
1.20mm, 26 pis
1.30mm, 14 pis

Diamonds Wt-0.28 Cts.
Gold Wt-2.610 Gms.



Diamonds-
1.10mm, 6 pis
1.20mm, 31 pis
1.30mm, 21 pis
1.50mm, 1 pis

Diamonds Wt-0.42 Cts.
Gold Wt-3.100 Gms.



Diamonds-
1.30mm, 21 pis
1.20mm, 28 pis
1.10mm, 6 pis

Diamonds Wt-0.38 Cts.
Gold Wt-2.860 Gms.